



2017/18

HS[®] SPRENGER

BOAT FITTINGS

Quality, that performs

WELCOME TO THE WORLD OF SPRENGER.

segeln 6/2016

»Good!«



segeln 9/2014

»Highly recommended!«



Yacht 19/2009
test winner



segeln 7/2003
test winner



Yacht 25-26/
2002
4 x best grade



HS SPRENGER

Herm. Sprenger GmbH Metallwarenfabrik
Manufacturer of boat fittings

P.O. box 2453
58634 Iserlohn
Germany

Phone +49 (0) 2371 9559-0
Fax +49 (0) 2371 9559-989
boot@sprenger.de
www.sprenger.de



Carsten Scholz

Sales manager

carsten.scholz@sprenger.de

Phone +49 (0) 2371 9559-980



YOUR BENEFITS:

- ▶ Products for **racing and cruising sailors** as well as for the **industrial use**
- ▶ **Made in Germany** – manufactured in Iserlohn
- ▶ **Excellent price/performance ratio**
- ▶ **Product development** in cooperation with leading racing sailors
- ▶ **Very good tests** in leading magazines like »Yacht« and »Segeln«
- ▶ **Permanent quality checks** before, during and after production
- ▶ **Examined trade goods** to complete the program usefully
- ▶ Complete **after sale service** including advice
- ▶ Almost all articles are **available from stock**
- ▶ **Immediate order dispatch** on the same business day



Andreas Kretz

Sales Germany: South
Sales Export: Eastern Europe
kretz@sprenger.de
Phone +49 (0) 2371 9559-985



Lars Punge

Sales rep Germany: South, East
punge@sprenger.de
Phone +49 (0) 2371 9559-983
Mobile: +49 (0) 173 5222212



Vanessa Bauer

Sales Germany: West
Sales Export: worldwide
bauer@sprenger.de
Phone +49 (0) 2371 9559-982



Damian Lellek

Sales rep Germany: North
Sales Germany: North
Sales Export: Benelux
lellek@sprenger.de
Phone +49 (0) 2371 9559-984
Mobile +49 (0) 178 4663153



Luise Jankowski

Sales Germany: East
Sales Export: PL, A, CH
Sponsoring
jankowski@sprenger.de
Phone +49 (0) 2371 9559-981

SINCE 145 YEARS, SPRENGER STANDS FOR EXCELLENT QUALITY.



The philosophy of Herm. Sprenger GmbH is and has always been to manufacture products of excellent quality, ensuring the best quality for boat and sailor.

This claim is evident in the selection of our raw materials: We use only high quality materials and components to provide our customers with reliable and highly durable products. This is accomplished through a steady, careful and professional production process by highly trained staff. As well as a permanent quality and consolidation control after every completed stage of production at our in-house test facility. Quality and material checks are performed regularly with professional athletes and universities to ensure our products are at their optimal performance and to improve them continually. Innovative

special orders for new applications are available. Product requirements are implemented optimally and consistently in agreement with the customer and added with our own ideas.

All products marked with the HS logo are manufactured in Iserlohn at the location of production and stand for quality »Made in Germany«. Today, Herm. Sprenger GmbH has grown into an internationally successful fourth/fifth generation family-run company with about 160 employees.



ADVANTAGES OF THE S-BLOCK-SERIES:



Optimized rope guidance by curved cheek parts

Cheek of glass fibre reinforced polyamide (UV-resistant)

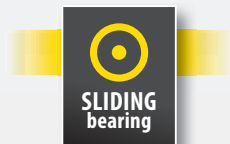
Continuous strap of stainless steel for more security and stability

Identification of the bearing in the enhancing strap (yellow = sliding bearing)

Marking of the maximum rope Ø

Wobble riveting avoids sharp burrs on the rivet head

THREE COLOURS FOR DIFFERENT DEMANDS:



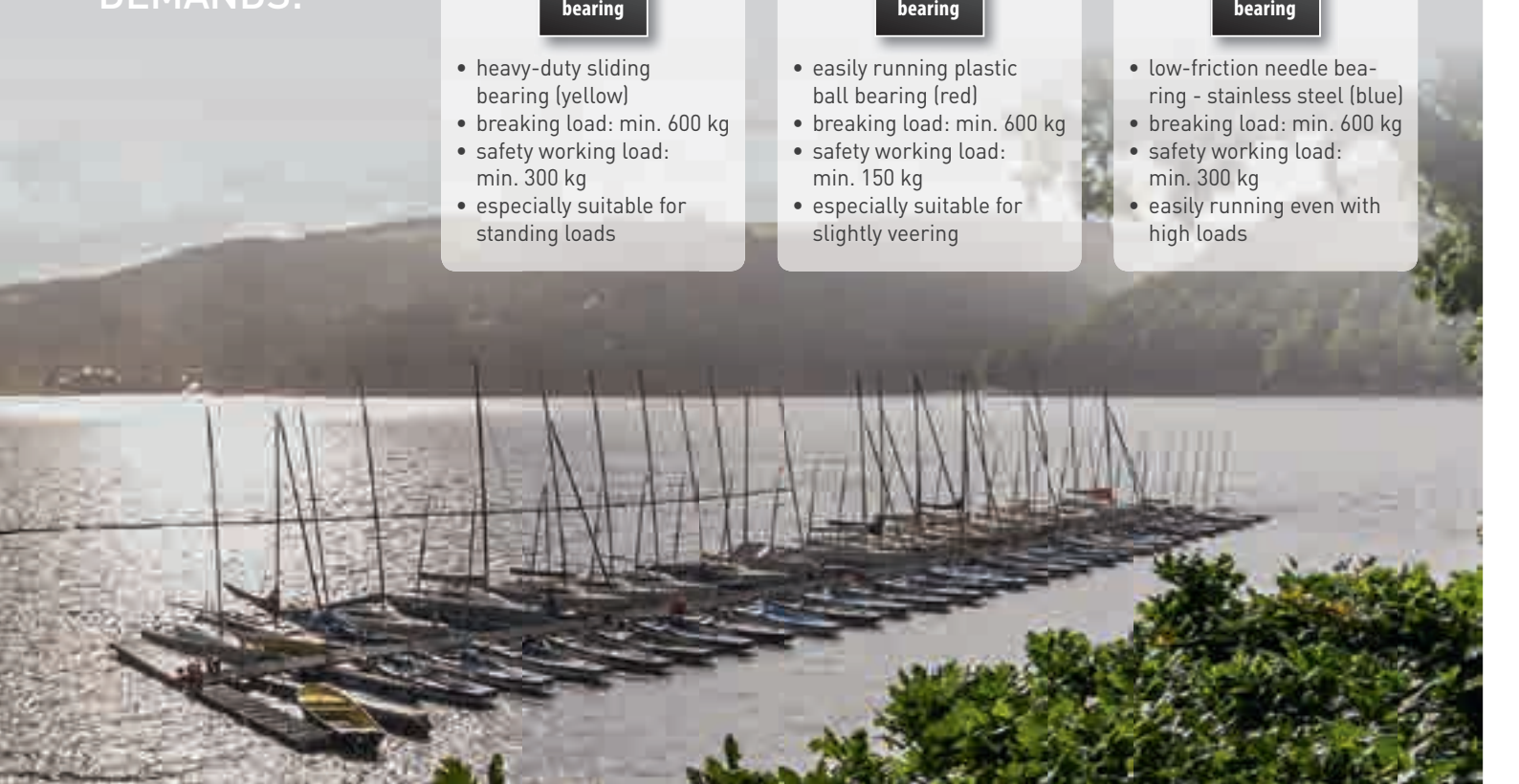
- heavy-duty sliding bearing (yellow)
- breaking load: min. 600 kg
- safety working load: min. 300 kg
- especially suitable for standing loads



- easily running plastic ball bearing (red)
- breaking load: min. 600 kg
- safety working load: min. 150 kg
- especially suitable for slightly veering



- low-friction needle bearing - stainless steel (blue)
- breaking load: min. 600 kg
- safety working load: min. 300 kg
- easily running even with high loads



BLOCKS

8 - 65

8 mm S-BLOCK-SERIES



8 - 13

10 mm S-BLOCK-SERIES



14 - 17

12 mm S-BLOCK-SERIES



18 - 21

8 mm blocks with plastic cheek parts



22 - 24

10 mm blocks with plastic cheek parts



26 - 28

12 mm blocks with plastic cheek parts



29 - 31

14 mm blocks with plastic cheek parts



32 - 33

Ratchet blocks



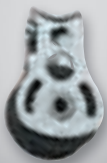
34 - 35

Ball bearing bases



36 - 37

Micro XS blocks



38 - 39

6 mm blocks with stainless steel cheek parts



40 - 41

8 mm blocks with stainless steel cheek parts



42

10 mm blocks with stainless steel cheek parts



43

12 mm blocks with stainless steel cheek parts



44

Downhaul blocks



45

Thru-deck blocks



46

Loose sheaves



47

Mast cheek blocks



48

Foot blocks



50

Springs



51

Upright blocks



52

Industry blocks



53

Cheek blocks



54 - 55

Special blocks



56

Stanchion- & trapeze blocks



57

Micro XS blocks for wire



58 - 59

Blocks for wire



60 - 61

High load blocks



62 - 63

Complete tackles



64 - 65

CAM CLEATS

66 - 69

Cam cleats

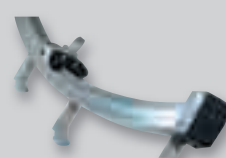


66 - 68

TRACKS & SLIDES

70 - 78

Traveller track



70 - 73

Tracks & slides

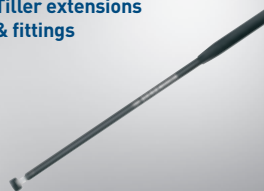


74 - 78

TILLER EXTENSIONS

80 - 82

Tiller extensions & fittings



80 - 82

ACCESSORIES

83 - 137

Boom brake



69

Wind indicators



83

Shackles



84 - 86

Snap hooks



87 - 88

Piston hanks



89

Swivel



90 - 91

Snap shackles & Racing shackles



92 - 93

Ring nuts, eye bolts & U-Bolts



94 - 95

Cleats



96 - 97

Turnbuckles



98

Terminals



99

Strap hinges



100 - 101

Hooks & rings



102

Tiller cable clamp



103

Fender cleats



104

Mast- & eye plates



105

Chain plates & accessoires



106 - 107

Stay adjuster plates



108

Boat hooks



109

Gloves



110

Rubber rope & sail embedder



111

Tiller fittings



112 - 113

Shock absorber



114

Bailer balls



116

Reefing claws



117

Anodes



118

Lock hooks & buoy hooks



118

Anchor



119

Anchor chain connector



119

Spray hood fittings



120 - 122

Tarpaulin steel & accessoires



123

Biminis



124

Jib furling system



125

Fender



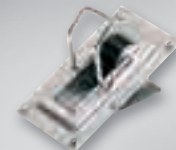
126 - 127

Keel roller



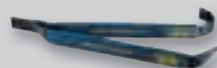
128

Bailers



130

Hiking straps & safety bags



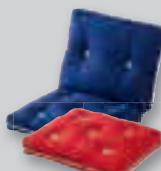
131

Course Keeper



132

Kapok pillows



133

Floor rings & bow handles



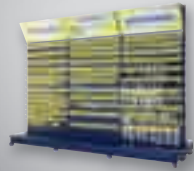
134

Knives



135

Point of sale displays



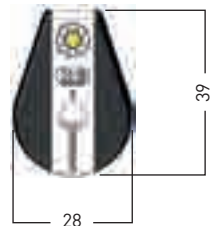
136 - 137



S-BLOCKSERIES 8 mm Sliding Bearing

- Heavy-duty sliding bearing
- Especially suitable for standing loads
- Optimized rope guidance by specially formed cheek parts
- Continuous strap of stainless steel for more security and stability
- Identification of the bearing (yellow point = sliding bearing)
- Marking of the maximum rope \varnothing in the enhancing strap

- Wobble riveting avoids sharp burrs on the rivet head
- Cheek of glass fibre reinforced polyamide (UV-resistant)
- Compact construction, low overall height
- With removable becket
- Made in Germany



AT A GLANCE



Plastic Sliding Bearing



Ø max.



Self service card



Stainless steel

ARTICLE	Safety working load (kg)	Breaking load (kg)	Diameter of the sheave (mm)	(gr)	ARTICLE NO.
1 1 sheave, bow	300	600	27 x 11.5	31	35650 100 55
2 1 sheave, swivel	300	600	27 x 11.5	37	35650 200 00
3 1 sheave, with adjustment set	300	600	27 x 11.5	39	35657 200 00
4 1 sheave, bow, becket	300	600	27 x 11.5	37	35653 100 55
5 1 sheave, swivel, becket	300	600	27 x 11.5	48	35653 200 00

SLIDING BEARING

SLIDING BEARING



SUITABLE ACCESSORIES



ARTICLE	Safety working load (kg)	Breaking load (kg)	Diameter of the sheave (mm)	Weight (gr)	ARTICLE NO.
6 2 sheaves, swivel	300	600	27 x 11.5	92	35651 200 00
7 2 sheaves, swivel, becket	300	600	27 x 11.5	98	35654 200 00
8 3 sheaves, swivel	300	600	27 x 11.5	131	35652 200 00
9 3 sheaves, swivel, becket	300	600	27 x 11.5	137	35655 200 00
10 Mainsheet block 1 sheave, becket, cam cleat, swivel	300	600	27 x 11.5	120	35670 290 00
11 Mainsheet block 3 sheaves, becket, cam cleat, swivel	300	600	27 x 11.5	214	35671 290 00
12 Suitable spring	-	-	-	7	34995 000 55
13 Optional locking set Adjustment at a 90 degree angle possible	-	-	-	11	35980 000 55

**EFFICIENT.
FOR CERTAIN.**

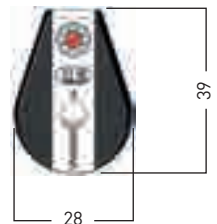


- Safety working load: min. 300 kg
- Especially suitable for standing loads



S-BLOCKSERIES 8 mm Ball Bearing

- Smooth running plastic ball bearing
- Especially suitable for slightly veering
- Optimized rope guidance by specially formed cheek parts
- Continuous strap of stainless steel for more security and stability
- Identification of the bearing (red point = ball bearing)
- Marking of the maximum rope \varnothing in the enhancing strap
- Wobble riveting: avoids sharp burrs on the rivet head
- Cheek of glass fibre reinforced polyamide (UV-resistant)
- Compact construction, low overall height
- With removable becket
- Made in Germany



AT A GLANCE



Plastic Ball Bearing



\varnothing max.



Self service card

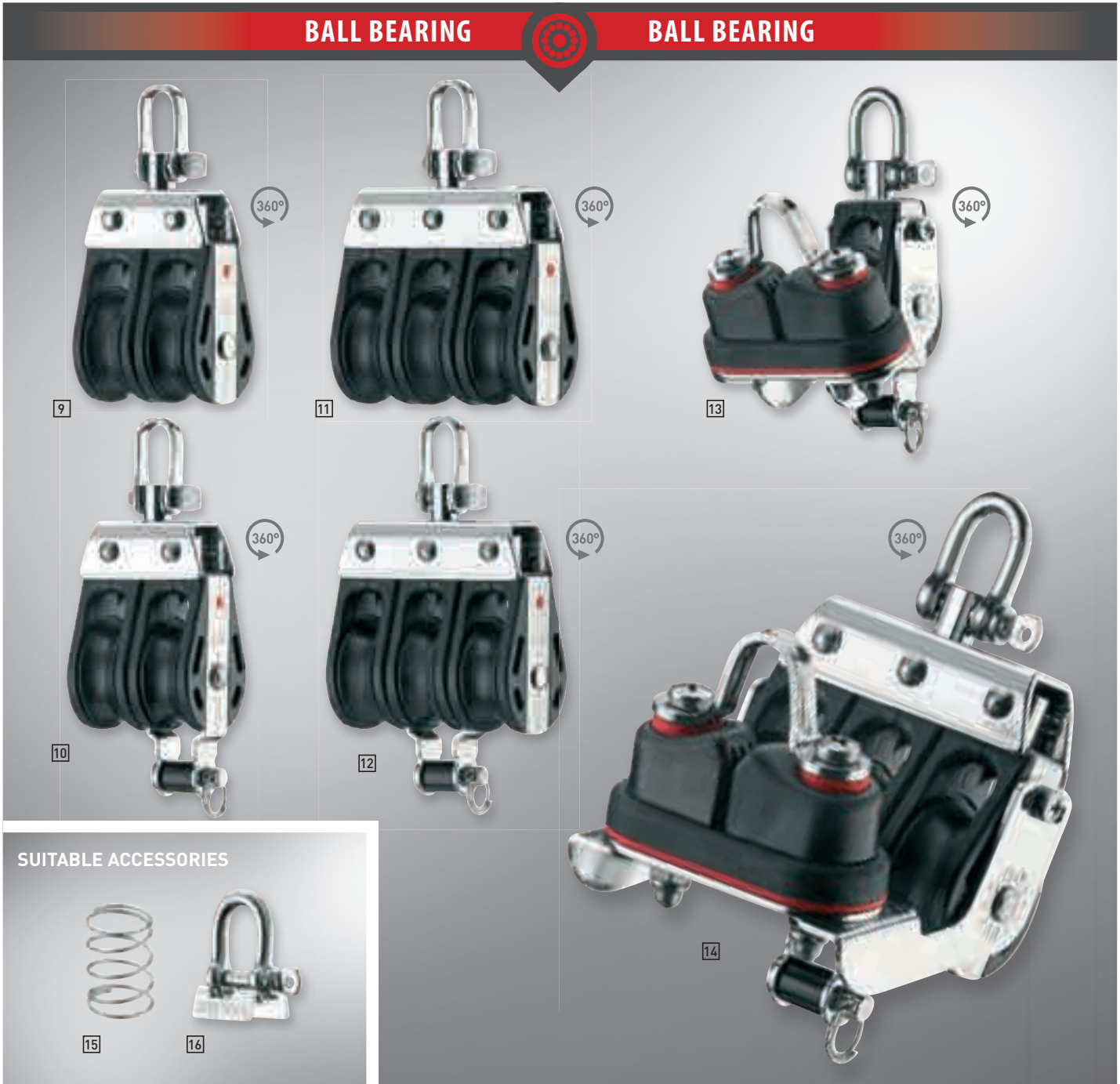


Stainless steel

ARTICLE	Safety working load (kg)	Breaking load (kg)	Diameter of the sheave (mm)	(gr)	ARTICLE NO.
1 1 sheave, bow	150	600	27 x 11.5	27	35650 600 55
2 1 sheave, swivel	150	600	27 x 11.5	34	35650 700 00
3 1 sheave, with adjustment set	150	600	27 x 11.5	45	35657 700 00
4 1 sheave (Cheek block)	150	600	27 x 11.5	34	35656 600 55
5 1 sheave, swivel, becket	150	600	27 x 11.5	40	35653 600 55
6 1 sheave, swivel, becket	150	600	27 x 11.5	40	35653 700 55
7 1 sheave, fairlead, spring	150	600	27 x 11.5	45	35681 000 55
8 Traveller block (Double block)	150	600	27 x 11.5	55	35675 900 55

BALL BEARING

BALL BEARING



SUITABLE ACCESSORIES

ARTICLE	Safety working load (kg)	Breaking load (kg)	Diameter of the sheave (mm)	(gr)	ARTICLE NO.
9 2 sheaves, swivel	150	600	27 x 11.5	84	35651 700 00
10 2 sheaves, swivel, becket	150	600	27 x 11.5	91	35654 700 00
11 3 sheaves, swivel	150	600	27 x 11.5	119	35652 700 00
12 3 sheaves, swivel, becket	150	600	27 x 11.5	125	35655 700 00
13 Mainsheet block 1 sheave, becket, cam cleat, swivel	150	600	27 x 11.5	116	35670 790 00
14 Mainsheet block 3 sheaves, becket, cam cleat, swivel	150	600	27 x 11.5	202	35671 790 00
15 Suitable spring	-	-	-	7	34995 000 55
16 Optional locking set Adjustment at a 90 degree angle possible	-	-	-	11	35980 000 55

**EFFICIENT.
FOR CERTAIN.**

BALL Bearing

- Safety working load: min. 150 kg
- Especially suitable for slightly veering



S-BLOCKSERIES 8 mm Needle Bearing

- Low-friction needle bearing (stainless steel)
- Very high working load: min. 300 kg
- Easily running even with high loads
- Optimized rope guidance by specially formed cheek parts
- Continuous strap of stainless steel for more security and stability
- Identification of the bearing (blue point = needle bearing)
- Marking of the maximum rope \varnothing in the enhancing strap
- Wobble riveting avoids sharp burrs on the rivet head
- Cheek of glass fibre reinforced polyamide (UV-resistant)
- With removable becket
- Made in Germany



AT A GLANCE



Stainless steel
Needle
Bearing

8
mm

\varnothing max.



Self
service
card



Stainless
steel

ARTICLE	Safety working load (kg)	Breaking load (kg)	Diameter of the sheave (mm)	(gr)	ARTICLE NO.
1 sheave, bow	300	600	27 x 11.5	35	35650 300 55
1 sheave, swivel	300	600	27 x 11.5	40	35650 400 00
1 sheave, u-swivel	300	600	27 x 11.5	49	35650 450 55
1 sheave, with adjustment set	300	600	27 x 11.5	44	35657 400 00
1 sheave, spring, rotary plate	300	600	27 x 11,5	71	35680 400 00
1 sheave (Cheek block)	300	600	27 x 11.5	41	35656 300 55
1 sheave, bow, becket	300	600	27 x 11.5	47	35653 300 55
1 sheave, swivel, becket	300	600	27 x 11.5	40	35653 400 00

NEEDLE BEARING

NEEDLE BEARING



SUITABLE ACCESSORIES



ARTICLE	Safety working load (kg)	Breaking load (kg)	Diameter of the sheave (mm)	(gr)	ARTICLE NO.
9 2 sheaves, swivel	300	600	27 x 11.5	100	35651 400 00
10 2 sheaves, swivel, becket	300	600	27 x 11.5	106	35654 400 00
11 3 sheaves, swivel	300	600	27 x 11.5	140	35652 400 00
12 3 sheaves, swivel, becket	300	600	27 x 11.5	148	35655 400 00
13 Mainsheet block 1 sheave, becket, cam cleat, swivel	300	600	27 x 11.5	122	35670 490 00
14 Mainsheet block 3 sheaves, becket, cam cleat, swivel	300	600	27 x 11.5	223	35671 490 00
15 Suitable spring	-	-	-	7	34995 000 55
16 Optional locking set Adjustment at a 90 degree angle possible	-	-	-	11	35980 000 55

**EFFICIENT.
FOR CERTAIN.**



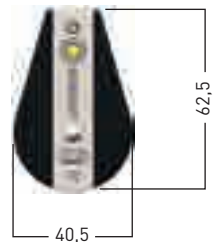
- Safety working load: min. 300 kg
- Smooth-running even with high loads



S-BLOCKSERIES 10 mm Sliding Bearing

- Heavy-duty sliding bearing
- Especially suitable for standing loads
- Optimized rope guidance by specially formed cheek parts
- Continuous strap of stainless steel for more security and stability
- Identification of the bearing (yellow point = sliding bearing)
- Marking of the maximum rope \varnothing in the enhancing strap

- Wobble riveting avoids sharp burrs on the rivet head
- Cheek of glass fibre reinforced polyamide (UV-resistant)
- Compact construction, low overall height
- With removable becket
- Made in Germany



AT A GLANCE



Plastic Sliding Bearing



\varnothing max.



Self service card



Stainless steel

ARTICLE	Safety working load (kg)	Breaking load (kg)	Diameter of the sheave (mm)	(gr)	ARTICLE NO.
1 1 sheave, bow	360	900	40 x 14.2	62	35650 101 55
2 1 sheave, swivel	360	900	40 x 14.2	85	35650 201 00
3 1 sheave, bow, becket	360	900	40 x 14.2	73	35653 101 55
4 1 sheave, swivel, becket	360	900	40 x 14.2	97	35653 201 00

SLIDING BEARING

SLIDING BEARING



5



7



9



6



8



10

SUITABLE ACCESSORIES



11

ARTICLE	Safety working load (kg)	Breaking load (kg)	Diameter of the sheave (mm)	(gr)	ARTICLE NO.
5 2 sheaves, bow	440	1,100	40 x 14.2	180	35651 101 55
6 2 sheaves, bow, becket	440	1,100	40 x 14.2	191	35654 101 55
7 3 sheaves, bow	500	1,250	40 x 14.2	262	35652 101 55
8 3 sheaves, bow, becket	500	1,250	40 x 14.2	291	35655 101 55
9 Mainsheet block 1 sheave, becket, cam cleat, swivel	360	900	40 x 14.2	220	35670 291 00
10 Mainsheet block 3 sheaves, becket, cam cleat, swivel	500	1,250	40 x 14.2	413	35671 291 00
11 Suitable spring	-	-	-	7	34995 004 55

**EFFICIENT.
FOR CERTAIN.**



- Safety working load: min. 360 kg
- Especially suitable for standing loads



S-BLOCKSERIES 10 mm Needle Bearing

- Low-friction needle bearing (stainless steel)
- Very high working load: min. 360 kg
- Easily running even with high loads
- Optimized rope guidance by specially formed cheek parts
- Continuous strap of stainless steel for more security and stability
- Identification of the bearing (blue point = needle bearing)
- Marking of the maximum rope \varnothing in the enhancing strap

- Wobble riveting avoids sharp burrs on the rivet head
- Cheek of glass fibre reinforced polyamide (UV-resistant)
- With removable becket
- Made in Germany



AT A GLANCE

Stainless steel Needle Bearing

10 mm \varnothing max.

Self service card

Stainless steel

ARTICLE	Safety working load (kg)	Breaking load (kg)	Diameter of the sheave (mm)	(gr)	ARTICLE NO.
1 1 sheave, bow	360	900	40 x 14.2	68	35650 301 55
2 1 sheave, swivel	360	900	40 x 14.2	91	35650 401 00
3 1 sheave, bow, becket	360	900	40 x 14.2	78	35653 301 55
4 1 sheave, swivel, becket	360	900	40 x 14.2	102	35653 401 00
5 1 sheave, U-swivel	360	900	40 x 14.2	98	35650 451 55

NEEDLE BEARING

NEEDLE BEARING



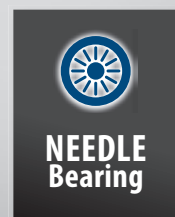
SUITABLE ACCESSORIES



12

ARTICLE	Safety working load (kg)	Breaking load (kg)	Diameter of the sheave (mm)	Weight (gr)	ARTICLE NO.
6 2 sheaves, bow	440	1,100	40 x 14.2	180	35651 301 55
7 2 sheaves, bow, becket	440	1,100	40 x 14.2	202	35654 301 55
8 3 sheaves, bow	500	1,250	40 x 14.2	280	35652 301 55
9 3 sheaves, bow, becket	500	1,250	40 x 14.2	291	35655 301 55
10 Mainsheet block 1 sheave, becket, cam cleat, swivel	360	900	40 x 14.2	226	35670 491 00
11 Mainsheet block 3 sheaves, becket, cam cleat, swivel	500	1,250	40 x 14.2	429	35671 491 00
12 Suitable spring	-	-	-	7	34995 004 55

**EFFICIENT.
FOR CERTAIN.**



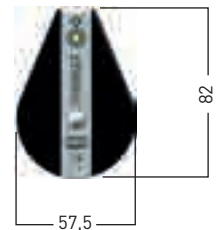
- Safety working load: min. 360 kg
- Smooth-running even with high loads



S-BLOCKSERIES 12 mm Sliding Bearing

- Heavy-duty sliding bearing
- Especially suitable for standing loads
- Optimized rope guidance by specially formed cheek parts
- Continuous strap of stainless steel for more security and stability
- Identification of the bearing (yellow point = sliding bearing)
- Marking of the maximum rope \varnothing in the enhancing strap

- Wobble riveting avoids sharp burrs on the rivet head
- Cheek of glass fibre reinforced polyamide (UV-resistant)
- Compact construction, low overall height
- With removable becket
- Made in Germany



AT A GLANCE

Plastic Sliding Bearing

12 mm
Ø max.

Self service card

Stainless steel

ARTICLE	Safety working load (kg)	Breaking load (kg)	Diameter of the sheave (mm)	(gr)	ARTICLE NO.
1 1 sheave, bow	460	1,200	57 x 16.2	113	35650 102 55
2 1 sheave, swivel	460	1,200	57 x 16.2	141	35650 202 00
3 1 sheave, bow, becket	460	1,200	57 x 16.2	129	35653 102 55
4 1 sheave, swivel, becket	460	1,200	57 x 16.2	156	35653 202 00
5 Fiddle block 2 sheaves, bow	560	1,400	57/29 x 16.2	183	35656 102 55
6 Fiddle block 2 sheaves, bow, becket	560	1,400	57/29 x 16.2	183	35656 112 55
7 Mainsheet fiddle block 2 sheaves, swivel, becket	560	1,400	57/29 x 16.2	345	35657 292 00

SLIDING BEARING

SLIDING BEARING



8



10



12



9



11



13

SUITABLE ACCESSORIES



14

ARTICLE	Safety working load (kg)	Breaking load (kg)	Diameter of the sheave (mm)	(gr)	ARTICLE NO.
8 2 sheaves, bow	510	1,300	57 x 16.2	296	35651 102 55
9 2 sheaves, bow, becket	510	1,300	57 x 16.2	319	35654 102 55
10 3 sheaves, bow	560	1,400	57 x 16.2	436	35652 102 55
11 3 sheaves, bow, becket	560	1,400	57 x 16.2	453	35655 102 55
12 Mainsheet block 1 sheave, becket, cam cleat, swivel	460	1,200	57 x 16.2	294	35670 292 00
13 Mainsheet block 3 sheaves, becket, cam cleat, swivel	560	1,400	57 x 16.2	598	35671 292 00
14 Suitable spring	-	-	-	7	34995 003 55

**EFFICIENT.
FOR CERTAIN.**



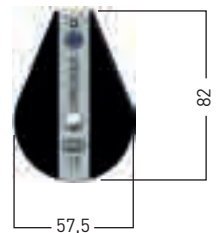
- Safety working load: min. 460 kg
- Especially suitable for standing loads



S-BLOCKSERIES 12 mm Needle Bearing

- Low-friction needle bearing (stainless steel)
- Very high working load: min. 460 kg
- Easily running even with high loads
- Optimized rope guidance by specially formed cheek parts
- Continuous strap of stainless steel for more security and stability
- Identification of the bearing (blue point = needle bearing)
- Marking of the maximum rope \varnothing in the enhancing strap

- Wobble riveting avoids sharp burrs on the rivet head
- Cheek of glass fibre reinforced polyamide (UV-resistant)
- With removable becket
- Made in Germany



AT A GLANCE



Stainless steel
Needle
Bearing

12
mm

\varnothing max.

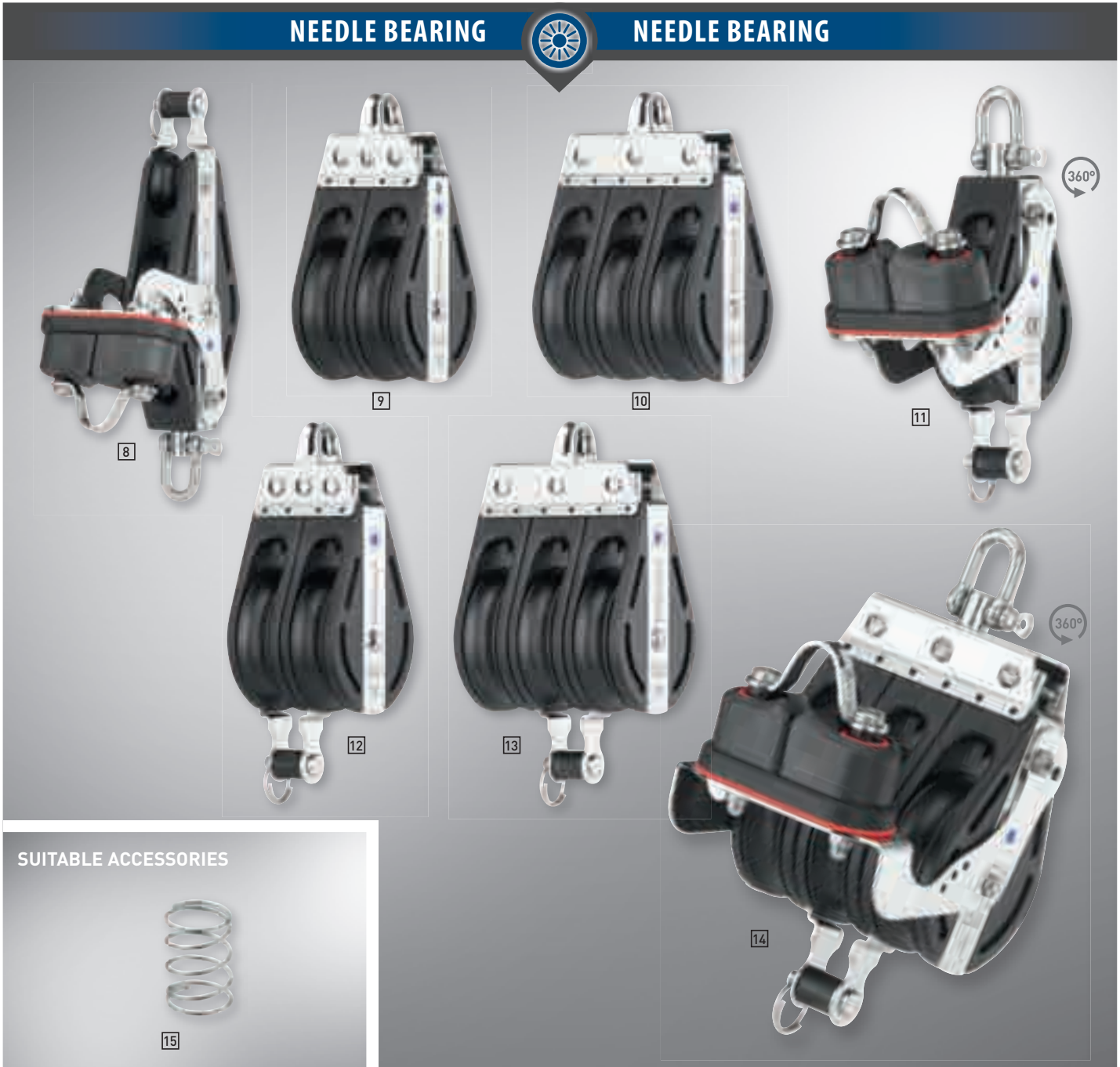



Self
service
card




Stainless
steel

ARTICLE	Safety working load (kg)	Breaking load (kg)	Diameter of the sheave (mm)	Weight (gr)	ARTICLE NO.
1 1 sheave, bow	460	1,200	57 x 16.2	121	35650 302 55
2 1 sheave, swivel	460	1,200	57 x 16.2	148	35650 402 00
3 1 sheave, bow, becket	460	1,200	57 x 16.2	137	35653 302 55
4 1 sheave, swivel, becket	460	1,200	57 x 16.2	163	35653 402 00
5 1 sheave, U-swivel	460	1,200	57 x 16.2	159	35650 452 55
6 Fiddle block 2 sheaves, bow	560	1,400	57/29 x 16.2	181	35656 302 55
7 Fiddle block 2 sheaves, bow, becket	560	1,400	57/29 x 16.2	197	35656 312 55



ARTICLE	Safety working load (kg)	Breaking load (kg)	Diameter of the sheave (mm)	 (gr)	ARTICLE NO.
8 Mainsheet block 2 sheaves, fiddle block, becket, swivel	560	1,400	57/29 x 16.2	360	35657 492 00
9 2 sheaves, bow	510	1,300	57 x 16.2	309	35651 302 55
10 2 sheaves, bow, becket	510	1,300	57 x 16.2	325	35654 302 55
11 3 sheaves, bow	560	1,400	57 x 16.2	456	35652 302 55
12 3 sheaves, bow, becket	560	1,400	57 x 16.2	471	35655 302 55
13 Mainsheet block 1 sheave, becket, cam cleat, swivel	460	1,200	57 x 16.2	300	35670 492 00
14 Mainsheet block 3 sheaves, becket, cam cleat, swivel	560	1,400	57 x 16.2	614	35671 492 00
15 Suitable spring	-	-	-	7	34995 003 55

**EFFICIENT.
FOR CERTAIN.**



**NEEDLE
Bearing**

- Safety working load: min. 460 kg
- Smooth-running even with high loads



Ball bearing blocks for 8 mm rope

- Smooth-running plastic ball bearing
- Enhancing strap of stainless steel
- Wobble riveting avoids sharp burrs at the rivet head
- Marking of the maximum rope \varnothing in the enhancing strap
- Identification of the bearing (red point = ball bearing)
- Cheek parts and sheaves of high quality UV-resistant plastic
- Bow/swivel: interchangeable = end-no. 00 riveted = end-no. 55
- Low weight
- Made in Germany
- Excellent price/performance ratio



AT A GLANCE

150 kg

Safety working load

600 kg

Breaking load



Plastic Ball Bearing



XX XXX XXXX 00 Bow detachable



Self service card



Stainless steel

ARTICLE

ARTICLE	Diameter of the sheave (mm)	(gr)	ARTICLE NO.
1 1 sheave, bow	27 x 11.5	40	35250 600 00
2 1 sheave, swivel	27 x 11.5	37	35250 700 00
3 1 sheave, hollow axles	27 x 11.5	21	35250 800 55
4 1 sheave, u-swivel	27 x 11.5	44	35250 750 55
5 1 sheave, through-bow	27 x 11.5	28	35250 900 55
6 1 sheave, becket, bow	27 x 11.5	44	35253 600 00
1 sheave, becket, swivel	27 x 11.5	49	35253 700 00
7 Block with mounted fairlead and spring	27 x 11.5	44	35281 000 55



ARTICLE	Diameter of the sheave (mm)	Weight (gr)	ARTICLE NO.
8 2 sheaves, bow	27 x 11.5	48	35251 600 00
9 2 sheaves, becket, bow	27 x 11.5	60	35254 600 00
2 sheaves, becket, swivel	27 x 11.5	66	35254 700 00
10 3 sheaves, becket, bow	27 x 11.5	67	35252 600 55
3 sheaves, swivel riveted	27 x 11.5	77	35252 700 55
11 3 sheaves, becket, bow	27 x 11.5	80	35255 600 55
3 sheaves, becket, swivel riveted	27 x 11.5	89	35255 700 55
12 Double block (traveller block)	27 x 11.5	55	35275 900 55
13 Stanchion block for 25mm Ø, rotatable and tiltable	27 x 11.5	56	35162 600 55
14 Mainsheet block, 1 sheave, becket, cam cleat, swivel	27 x 11.5	125	35270 790 55
15 Mainsheet block, 3 sheaves, becket, cam cleat, swivel	27 x 11.5	146	35271 790 55
16 Suitable spring	-	7	34995 002 55
17 Suitable swivel	-	11	35985 001 55
18 Suitable fairlead	-	5	37921 010 55



Sliding bearing blocks for 8 mm rope

- Sliding bearing strongly loadable
- Enhancing strap made of stainless steel
- Wobble riveting avoids sharp burrs at the rivet head
- Marking of the maximum rope \varnothing in the enhancing strap
- Cheek parts and sheaves of high quality UV-resistant plastic
- Bow/swivel: interchangeable = end-no. 00 riveted = end-no. 55
- Low weight
- Made in Germany
- Excellent price/performance ratio



AT A GLANCE

150 kg
Safety working load

600 kg
Breaking load

Plastic Sliding Bearing

XX XXX XXXX 00
Bow detachable

Self service card

Stainless steel

ARTICLE	Diameter of the sheave (mm)	(gr)	ARTICLE NO.
1 1 sheave, bow	27 x 11.5	33	35250 100 00
2 1 sheave, swivel	27 x 11.5	40	35250 200 00
3 1 sheave, through bow	27 x 11.5	31	35250 400 55
4 1 sheave, bow, becket	27 x 11.5	45	35253 100 00
5 Stanchion block for 25 mm \varnothing , rotatable and tiltable	27 x 11.5	59	35162 100 55
6 2 sheaves, bow	27 x 11.5	53	35251 100 00
7 2 sheaves, bow, becket 2 sheaves, swivel, becket	27 x 11.5 27 x 11.5	66 74	35254 100 00 35254 200 00
8 Suitable spring	27 x 11.5	7	34995 002 55
9 Suitable swivel	27 x 11.5	11	35985 001 55
10 Suitable fairlead	-	5	37921 010 55



SPRENGER – OUR QUALITY:

»Regular quality controls during and after the production create the conditions for the high quality of our products.«





Ball bearing blocks for 10 mm rope

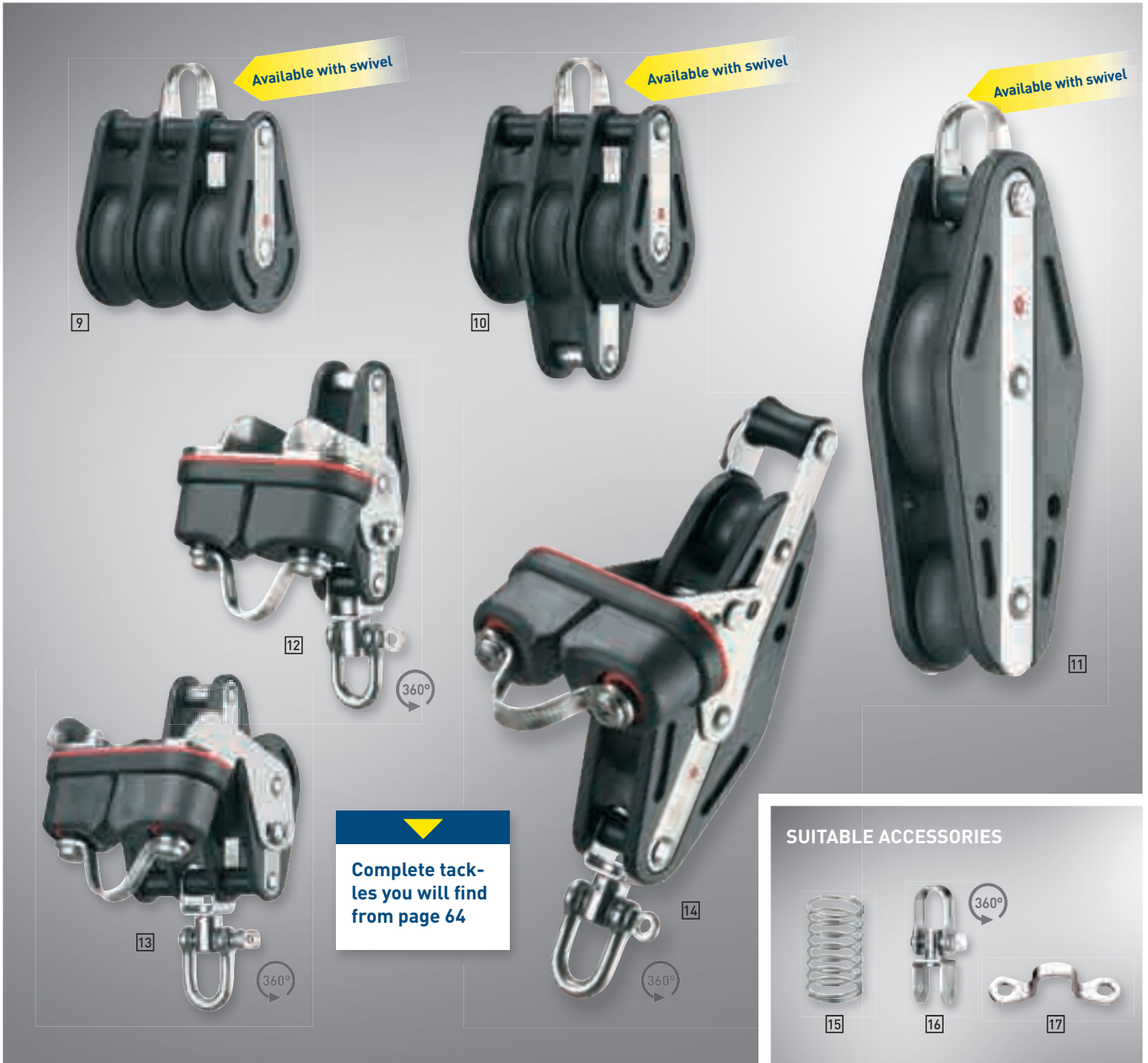
- Smooth-running ball bearing made of stainless steel
- Bearing body and balls made of stainless steel
- Identification of the bearing (red point = ball bearing)
- Wobble riveting avoids sharp burrs at the rivet head
- Marking of the maximum rope \varnothing in the enhancing strap
- Cheek parts and sheaves of high quality UV-resistant plastic
- Bow/swivel: interchangeable = end-no. 00 riveted = end-no. 55
- Low weight
- Made in Germany
- Excellent price/performance ratio



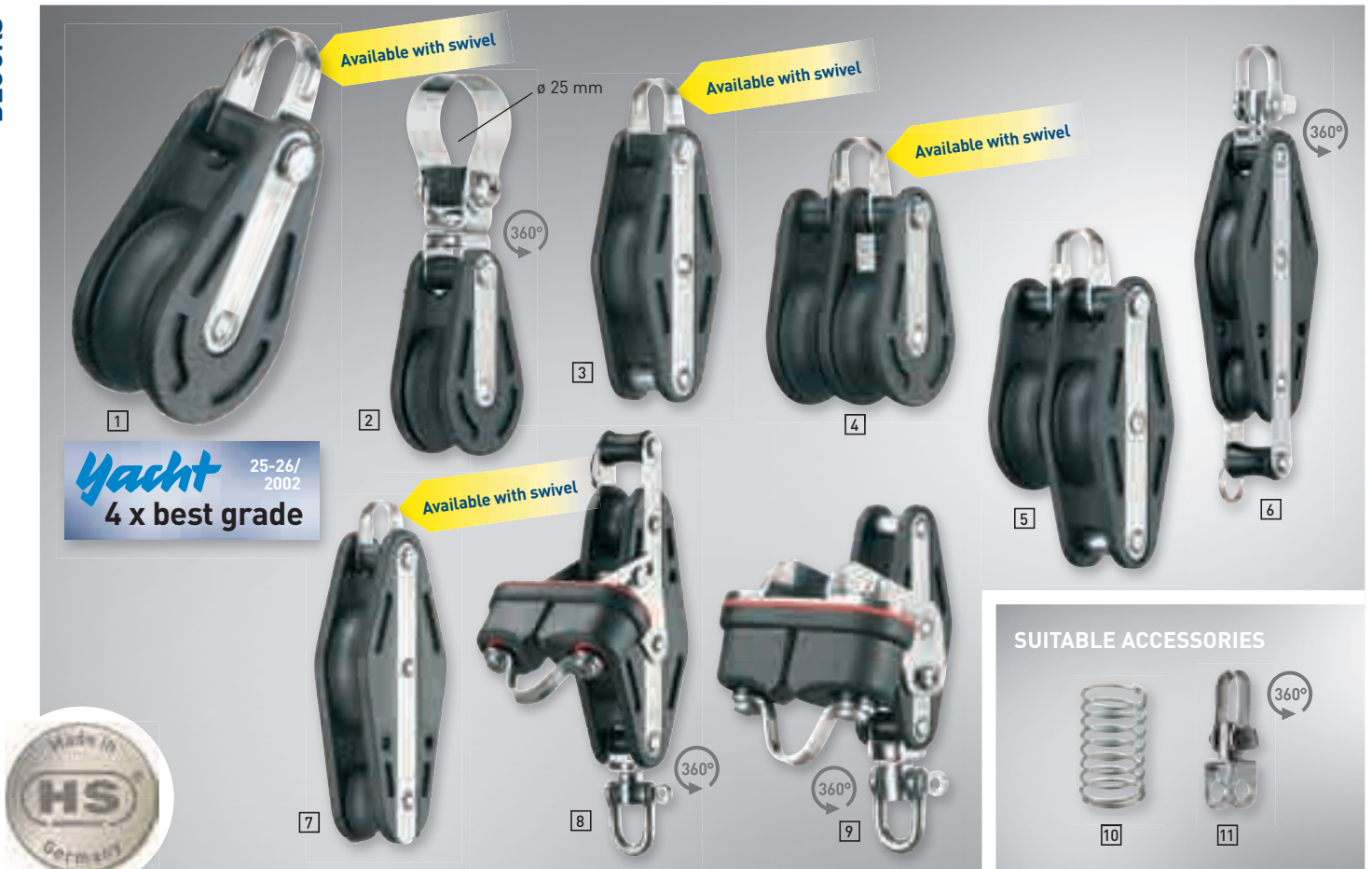
AT A GLANCE

- 212 kg** Safety working load
- 850 kg** Breaking load
- Stainless Steel Ball Bearing**
- Bow detachable**
- SPF** Self service card
- Rostfrei** Stainless steel

ARTICLE	Diameter of the sheave (mm)	(gr)	ARTICLE NO.
1 1 sheave, bow	35 x 12	53	35250 601 00
2 1 sheave, swivel	35 x 12	70	35250 701 00
3 1 sheave, u-swivel	35 x 12	58	35250 751 55
4 Block with mounted fender cleat and spring	35 x 12	66	35282 000 55
5 Stanchion block for 25 mm \varnothing rotatable and tiltable	35 x 12	78	35162 601 55
6 1 sheave, bow, becket	35 x 12	69	35253 601 00
1 sheave, swivel, becket	35 x 12	84	35253 701 00
7 2 sheaves, bow	35 x 12	85	35251 601 00
2 sheaves, swivel	35 x 12	102	35251 701 00
8 2 sheaves, bow, becket	35 x 12	100	35254 601 00
2 sheaves, swivel, becket	35 x 12	117	35254 701 00



ARTICLE	Diameter of the sheave (mm)	Weight (gr)	ARTICLE NO.
9 3 sheaves, bow, riveted	35 x 12	123	35252 601 55
3 sheaves, swivel, riveted	35 x 12	135	35252 701 55
10 3 sheaves, becket, bow, riveted	35 x 12	130	35255 601 55
3 sheaves, becket, swivel, riveted	35 x 12	142	35255 701 55
11 Fiddle block, 2 sheaves, bow	46 x 12,	126	35256 601 00
Fiddle block, 2 sheaves, swivel	26 x 12	197	35256 701 00
12 Mainsheet block			
1 sheave, becket, cam cleat HT13, swivel	35 x 12	212	35270 791 55
13 Mainsheet block			
3 sheaves, becket, cam cleat HT13, swivel	35 x 12	276	35271 791 55
14 Mainsheet block			
2 sheaves, fiddle block, cam cleat HT13, swivel	46 x 12 26 x 12	270	35257 791 55
15 Suitable spring	-	10	34995 004 55
16 Suitable swivel	-	20	35985 002 55
17 Suitable fender cleat	-	5	37921 010 55



Sliding bearing blocks for 10 mm rope

- Sliding bearing strongly loadable
- Enhancing strap made of stainless steel
- Marking of the maximum rope \varnothing in the enhancing strap
- Wobble riveting avoids sharp burrs at the rivet head
- Cheek parts and sheaves of high quality UV-resistant plastic

- Bow/swivel: interchangeable = end-no. 00 riveted = end-no. 55
- Low weight
- Made in Germany
- Excellent price/performance ratio



AT A GLANCE

212 kg

Safety working load

850 kg

Breaking load

Plastic Sliding Bearing

Stainless steel Bow detachable

Self service card

Stainless steel

ARTICLE	Diameter of the sheave (mm)	(gr)	ARTICLE NO.
1 1 sheave, bow 1 sheave, swivel	35 x 12	47	35250 101 00
	35 x 12	65	35250 201 00
2 Stanchion block for 25 mm \varnothing , rotatable and tiltable	35 x 12	73	35162 101 55
3 1 sheave, bow, becket 1 sheave, swivel, becket	35 x 12	61	35253 101 00
	35 x 12	80	35253 201 00
4 2 sheaves, bow 2 sheaves, swivel	35 x 12	75	35251 101 00
	35 x 12	89	35251 201 00
5 2 sheaves, bow, becket	35 x 12	92	35254 101 00
6 Fiddle block with becket 2 sheaves, swivel	46 x 12	148	35256 211 55
	26 x 12		
7 Fiddle block, 2 sheaves, bow Fiddle block, 2 sheaves, swivel	46 x 12	116	35256 101 00
	26 x 12	136	35256 201 00
8 Mainsheet block 2 sheaves, fiddle block, becket, cam cleat HT13, swivel	46 x 12	260	35257 291 55
	26 x 12		
9 Mainsheet block 1 sheave, fiddle block, becket, cam cleat HT13, swivel	35 x 12	209	35270 291 55
10 Suitable spring	-	7	34995 004 55
11 Suitable swivel	-	20	35985 002 55



Sliding bearing blocks for 12 mm rope

- Sliding bearing strongly loadable
- Enhancing strap made of stainless steel
- Marking of the maximum rope Ø in the enhancing strap
- Wobble riveting avoids sharp burrs at the rivet head
- Cheek parts and sheaves of high quality UV-resistant plastic

- Bow/swivel: interchangeable = end-no. 00 riveted = end-no. 55
- Low weight
- Made in Germany
- Excellent price/performance ratio



ARTICLE	Diameter of the sheave (mm)	(gr)	ARTICLE NO.
1 1 sheave, bow 1 sheave, swivel	50 x 14	83	35250 102 00 35250 202 00
2 Stanchion block for 25mm Ø, rotatable and tiltable	50 x 14	113	35162 102 55
3 1 sheave, bow, becket	50 x 14	107	35253 102 00
4 2 sheaves, bow 2 sheaves, swivel	50 x 14 50 x 14	152 163	35251 102 00 35251 202 00
5 2 sheaves, bow, becket 2 sheaves, swivel, becket	50 x 14 50 x 14	160 186	35254 102 00 35254 202 00
6 3 sheaves, bow	50 x 14	193	35252 102 55
7 Fiddle block, 2 sheaves, bow Fiddle block, 2 sheaves, swivel	50 x 14, 29 x 14	185 210	35256 102 00 35256 202 00
8 Fiddle block with becket 2 sheaves, swivel	50 x 14 29 x 14	227	35256 212 55
9 Mainsheet block 2 sheaves, fiddle block, becket, cam cleat HT13, swivel	50 x 14 29 x 14	335	35257 292 55
10 Suitable spring	-	7	34995 003 55
11 Suitable swivel	-	11	35985 003 55

AT A GLANCE

250 kg
Safety working load

1,000 kg
Breaking load

Plastic Sliding Bearing

XX XXX XXX 00
Bow detachable

SPF
Self service card

Rostfrei
Stainless steel



Ball bearing blocks for 12 mm rope

- Smooth-running ball bearing made of stainless steel
- Bearing body and balls made of stainless steel
- Enhancing strap made of stainless steel
- Marking of the maximum rope \varnothing in the enhancing strap
- Identification of the bearing (red point = ball bearing)
- Wobble riveting avoids sharp burrs at the rivet head
- Cheek parts and sheaves of high quality UV-resistant plastic
- Bow/swivel: interchangeable = end-no. 00 riveted = end-no. 55
- Low weight
- Made in Germany
- Excellent price/performance ratio



AT A GLANCE

250 kg
Safety working load

1,000 kg
Breaking load

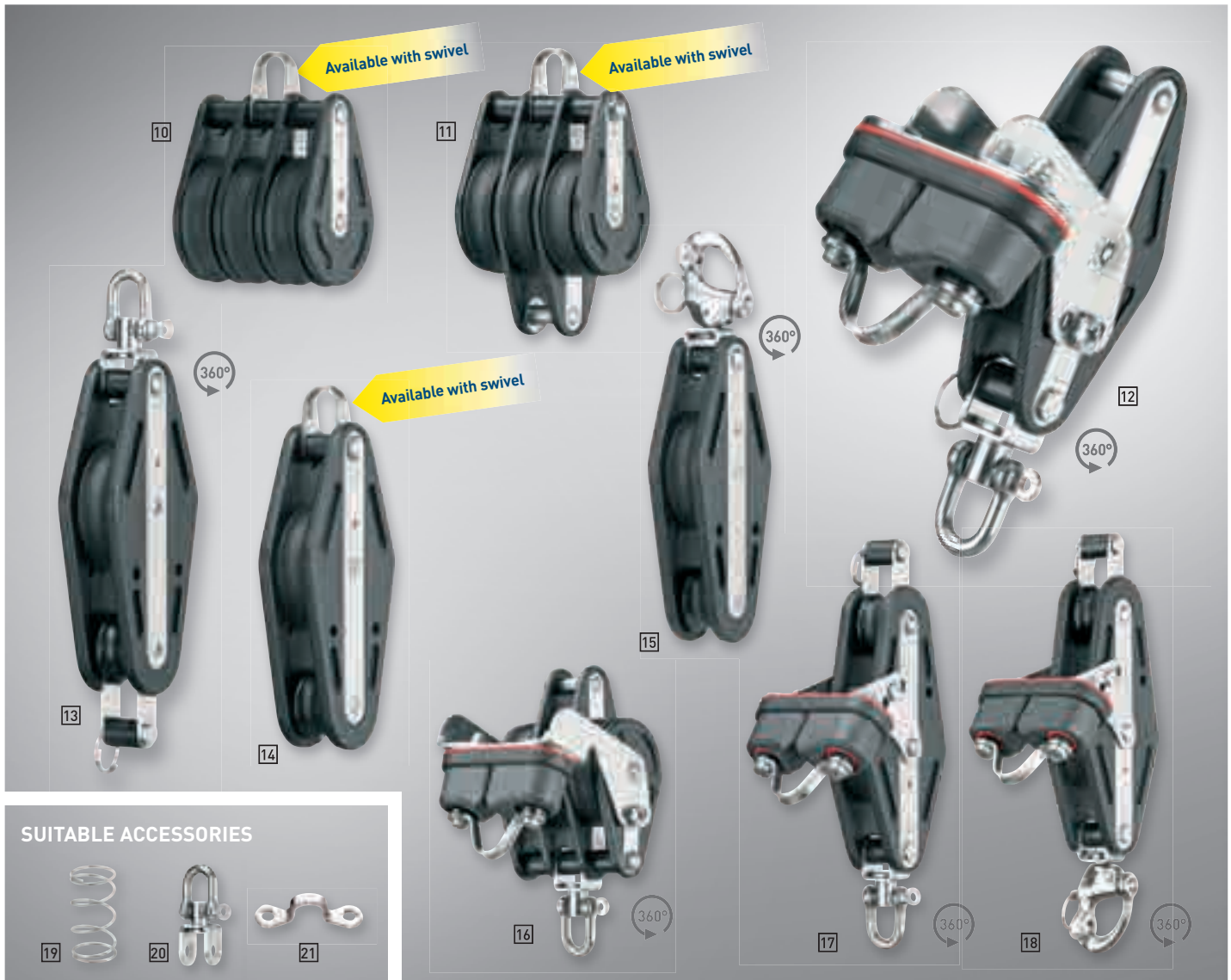
Stainless Steel Ball Bearing

XX XXX XXXX 00
Bow detachable

Self service card

Rostfrei
Stainless steel

ARTICLE	Diameter of the sheave (mm)	Weight (gr)	ARTICLE NO.
1 1 sheave, bow	50 x 14	89	35250 602 00
2 1 sheave, swivel	50 x 14	113	35250 702 00
3 1 sheave, u-swivel	50 x 14	116	35250 752 55
4 Block with mounted fender cleat and spring	50 x 14	111	35283 000 55
5 1 sheave, snap shackle	50 x 14	138	35269 602 55
6 Stanchion block for 25 mm \varnothing , rotatable and tiltable	50 x 14	117	35162 602 55
7 1 sheave bow, becket	50 x 14	115	35253 602 00
1 sheave swivel, becket	50 x 14	139	35253 702 00
8 2 sheaves, bow	50 x 14	146	35251 602 00
2 sheaves, swivel	50 x 14	172	35251 702 00
9 2 sheaves, bow, becket	50 x 14	172	35254 602 00
2 sheaves, swivel, becket	50 x 14	197	35254 702 00



ARTICLE	Diameter of the sheave (mm)	(gr)	ARTICLE NO.
10 3 sheaves, bow 3 sheaves, swivel	50 x 14 50 x 14	200 228	35252 602 55 35252 702 55
11 3 sheaves, becket, bow 3 sheaves, becket, swivel	50 x 14 50 x 14	231 253	35255 602 55 35255 702 55
12 Mainsheet block, 1 sheave, swivel, becket, cam cleat HT13	50 x 14	276	35270 792 55
13 Fiddle block 2 sheaves, swivel, becket	50 x 14 29 x 14	222	35256 712 55
14 Fiddle block, 2 sheaves, bow Fiddle block, 2 sheaves, swivel	50 x 14 29 x 14	195 197	35256 602 00 35256 702 00
15 Fiddle block 2 sheaves, snap shackle	50 x 14 29 x 14	245	35267 602 55
16 Mainsheet block 3 sheaves, swivel, becket, cam cleat HT13	50 x 14	391	35271 792 55
17 Mainsheet block 2 sheaves, fiddle block, swivel, cam cleat HT13	50 x 14 29 x 14	347	35257 792 55
18 Mainsheet block 2 sheaves, fiddle block, snap shackle, cam cleat HT13	50 x 14 29 x 14	376	35268 692 55
19 Suitable spring	-	-	34995 003 55
20 Suitable swivel	-	-	35985 003 55
21 Suitable fender cleat	-	9	37921 016 55



Sliding bearing blocks for 14 mm rope

- Strongly loadable full plastic sliding bearing with additional bearing bush to avoid corrosion
- Enhancing strap made of stainless steel
- Wobble riveting avoids sharp burrs at the rivet head
- Marking of the maximum rope \varnothing in the enhancing strap
- Cheek parts and sheaves of high quality UV-resistant plastic
- Bow/swivel riveted for solidity reasons
- Low weight
- Made in Germany
- Excellent price/performance ratio



AT A GLANCE

 625 kg Safety working load	 2,500 kg Breaking load	 Plastic Sliding Bearing
 Self service card	 Stainless steel	



Sheaves 70 x 18 mm of high quality UV-resistant plastic

ARTICLE	Diameter of the sheave (mm)	(gr)	ARTICLE NO.
1 1 sheave, bow	70 x 18	207	35250 104 55
2 1 sheave, swivel	70 x 18	301	35250 204 55
3 1 sheave, bow, becket 1 sheave, swivel, becket	70 x 18 70 x 18	277 374	35253 104 55 35253 204 55
4 2 sheaves, bow 2 sheaves, swivel	70 x 18 70 x 18	337 432	35251 104 55 35251 204 55
5 Fiddle block, 2 sheaves, bow Fiddle block, 2 sheaves, swivel	70 x 18 70 x 18	356 459	35256 104 55 35256 204 55
6 2 sheaves, bow, becket 2 sheaves, swivel, becket	70 x 18 70 x 18	414 504	35254 104 55 35254 204 55
7 Mainsheet block 2 sheaves, fiddle block, cam cleat HT13, swivel	70 x 18	706	35257 204 55
8 Mainsheet block with shackle 2 sheaves, fiddle block, cam cleat HT13, shackle	70 x 18	726	35268 294 55



Sliding bearing blocks for 14 mm rope

- Strongly loadable full plastic sliding bearing with additional bearing bush to avoid corrosion
- Enhancing strap made of stainless steel
- Wobble riveting avoids sharp burrs at the rivet head
- Marking of the maximum rope Ø in the enhancing strap
- Cheek parts of high quality UV-resistant plastic
- Sheaves of aluminum, hard anodised
- Bow/swivel riveted for solidity reasons
- Low weight
- Made in Germany
- Excellent price/performance ratio



ARTICLE	Diameter of the sheave (mm)	(gr)	ARTICLE NO.
1 1 sheave, bow	70 x 18	294	35250 114 55
2 1 sheave, swivel	70 x 18	392	35250 214 55
3 1 sheave, becket, swivel	70 x 18	445	35253 214 55
4 2 sheaves, bow	70 x 18	517	35251 114 55
5 2 sheaves, becket, bow 2 sheaves, becket, swivel	70 x 18 70 x 18	583 680	35254 114 55 35254 214 55
6 Fiddle block 2 sheaves, bow	70 x 18, 36 x 18	453	35256 114 55
7 Mainsheet block 2 sheaves, fiddle block, cam cleat HT13, swivel	70 x 18, 36 x 18	793	35257 214 55

AT A GLANCE

625
kg

Safety working load

2,500
kg

Breaking load

Plastic Sliding Bearing

Self service card

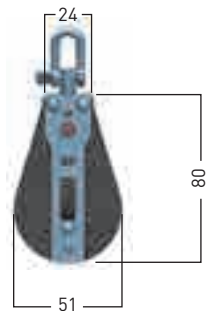
Stainless steel





Ratchet blocks for 6-10 mm rope

- Smooth-running Delrin ball bearing in the outer collar
- Enhancing strap of stainless steel
- Wobble riveting avoids sharp burrs at the rivet head
- Marking of the maximum rope \varnothing in the enhancing strap
- Identification of the bearing (red point = ball bearing)
- Cheek parts of high quality UV-resistant plastic
- Sheaves of specially coated aluminum
- Shackle swiveling or fixable
- Becket detachable
- Low weight
- Made in Germany
- Excellent price/performance ratio



AT A GLANCE

225 kg Safety working load	900 kg Breaking load	Delrin Ball Bearing
6-10 mm Rope \varnothing	Self service card	Stainless steel

Sheaves 51 x 13 mm of specially coated aluminum

ARTICLE	Diameter of the sheave (mm)	Weight (gr)	ARTICLE NO.
1 1 sheave, swivel, right ratching	51 x 13	133	35360 710 55
2 1 sheave, swivel, with detachable becket	51 x 13	145	35361 710 55
3 1 sheave, swivel, cam cleat	51 x 13	284	35370 710 55
4 1 sheave, swivel, cam cleat and becket detachable	51 x 13	287	35371 710 55
5 Cheek block portside, left ratching Cheek block starboard, right ratching	51 x 13 51 x 13	110 110	35380 710 55 35381 710 55
6 3 sheaves, swivel, cam cleat and becket detachable	51 x 13	470	35376 710 55
7 Suitable spring	-	14	34995 005 55

yacht 25-26/2002
Best grade

4 x best grade
**** For 4 different
SPRENGER-blocks

Tested:
20 blocks of 12 manufacturers
8 x **** Thereof 4x SPRENGER
8 x ***
4 x **

segeln 7/2003
Test winner

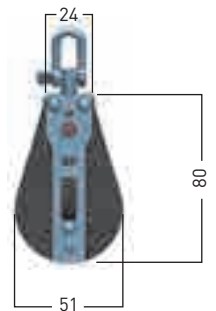
Price/performance ratio
SPRENGER 2x very good, 1x good

Tested:
20 blocks of 12 manufacturers
4x ***** 1x SPRENGER
8 x ***** 2x SPRENGER
5 x ****
1 x ***
2 x **



Counter blocks for ratchet blocks for 6-10 mm rope

- Smooth-running Delrin ball bearing in the outer collar
- Enhancing strap of stainless steel
- Wobble riveting avoids sharp burrs at the rivet head
- Marking of the maximum rope Ø in the enhancing strap
- Identification of the bearing (red point = ball bearing)
- Cheek parts and sheaves of high quality
UV-resistant plastic
- Shackle swiveling or fixable
- Becket detachable
- Low weight
- Made in Germany
- Excellent price/performance ratio



AT A GLANCE

225 kg Safety working load	900 kg Breaking load	 Delrin Ball Bearing
6-10 mm Rope Ø	 Self service card	 Stainless steel

ARTICLE	Diameter of the sheave (mm)	(gr)	ARTICLE NO.
1 1 sheave, swivel	51 x 13	121	35390 710 00
2 3 sheaves, swivel	51 x 13	350	35394 710 00
3 Suitable spring	-	14	34995 005 55

Sheaves 51 x 13 mm of high quality UV-resistant plastic

WITH MANY ADVANTAGES:



The well-tries camlan cam cleat is suitable for ropes of diameter 8-13 mm. It can be mounted on or under the arm.

The fixing of the spring prevents a spreading of the spring to the block.

All metal parts are made of stainless steel, the plastics are UV-resistant.

The mounted U-adapter fits for many blocks; we recommend the ball bearing ratchet block from SPRENGER; obtaining an optimal unit.

Because of the wide and deep empty space in the middle of the arm the rope can run through the cleat without chafing.

Arm: high quality aluminum, black anodized, 7 mm material, ideal angle, perfectly matching to the SPRENGER ratchet block.

Adjustable ratching with fixable pressure point: the sailor decides if the base rotates freely or how hard it will be stopped. This prevents or reduces unstopped base rotation leewards.

Twin rows of Delrin balls ensure easy turning and free running even under load.



Ball bearing base: Long arm

AT A GLANCE

1,200 kg

Breaking load



Plastic Ball Bearing



Swivelling 180°-360°

10 mm

Ø max.



Self service card



Stainless steel

ARTICLE	Safety working load (kg)	Height (mm)	Diameter of the sheave (mm)	Weight (gr)	ARTICLE NO.
1 Ball bearing base, long arm	300	75	-	370	35390 000 00
2 Ball bearing base, long arm with mounted ratchet block	300	75	51	501	35391 000 00



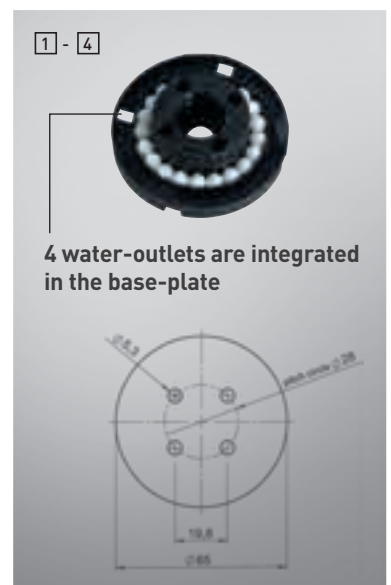
Limitation of the arm: 2 stainless steel screws prevent an 'over-turn' of the arm. **1 screw in the middle:** 210° limit **2 screws on the outside:** 180° limit (state at point of delivery) **without screws:** free swiveling, no limit.

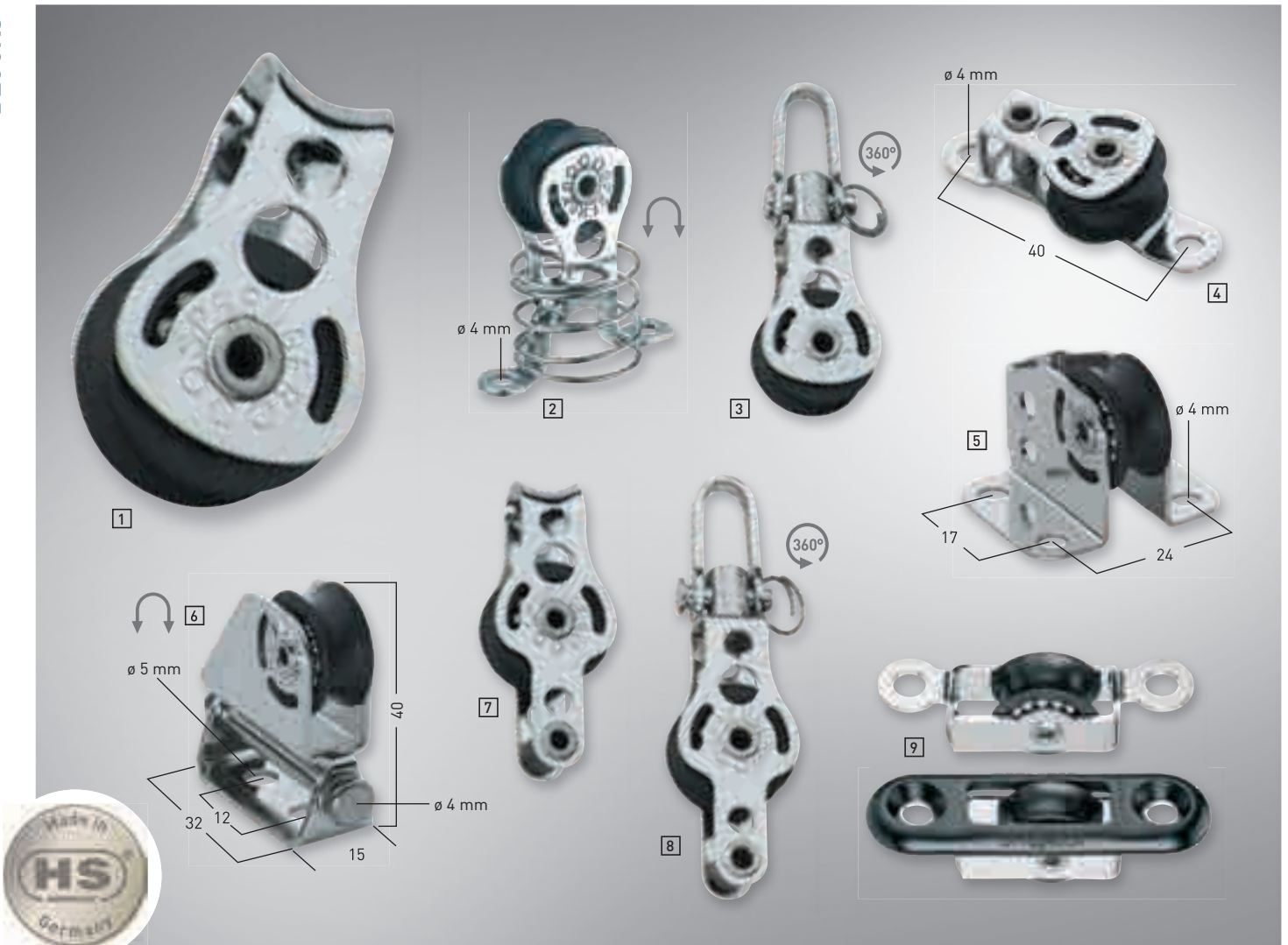
Please set the limitation before mounting the base. An Allen wrench is attached.



Short arm

ARTICLE	Safety working load (kg)	Height (mm)	Diameter of the sheave (mm)	Weight (gr)	ARTICLE NO.
3 Ball bearing base short arm	300	40	-	350	35400 000 00
4 Ball bearing base short arm with mounted ratchet block	300	40	51	456	35401 000 00
5 Ball bearing base with cam cleat, mounting with 3 x M5 countersunk screw	-	67	29	250	35402 000 00





Micro XS blocks for 6 mm rope

- Smooth-running ball bearing made of stainless steel
- Bearing body and balls made of stainless steel
- Wobble riveting avoids sharp burrs at the rivet head
- Cheek parts made of stainless steel
- Sheaves 19 x 8,3 mm of high quality UV-resistant plastic
- Very low weight

- Extremely small and lightweight blocks of compact shape
- Especially suitable for kicking strap, jigger or trimming lines
- Many versions and fields of application
- Made in Germany
- Excellent price/performance ratio



AT A GLANCE

112 kg

Safety working load

450 kg

Breaking load



Stainless steel Ball Bearing

6 mm

Ø max.



Self service card



Stainless steel

ARTICLE

1 1 sheave, through-bow

2 1 sheave, through-bow with mounted fender cleat and spring

3 1 sheave, swivel

4 Cheek block, 1 sheave

5 Upright block, 1 sheave

6 Tipping/turning block, 1 sheave

7 1 sheave, becket

8 1 sheave, becket and swivel

9 Cheek block 1 sheave with cover plate made of plastic

Diameter of the sheave (mm)

gr

ARTICLE NO.

19 x 8.3

10

35320 600 55

19 x 8.3

16

35318 600 55

19 x 8.3

17

35320 700 55

19 x 8.3

16

35328 600 55

19 x 8.3

31

35331 600 55

19 x 8.3

35

35149 000 55

19 x 8.3

14

35321 600 55

19 x 8.3

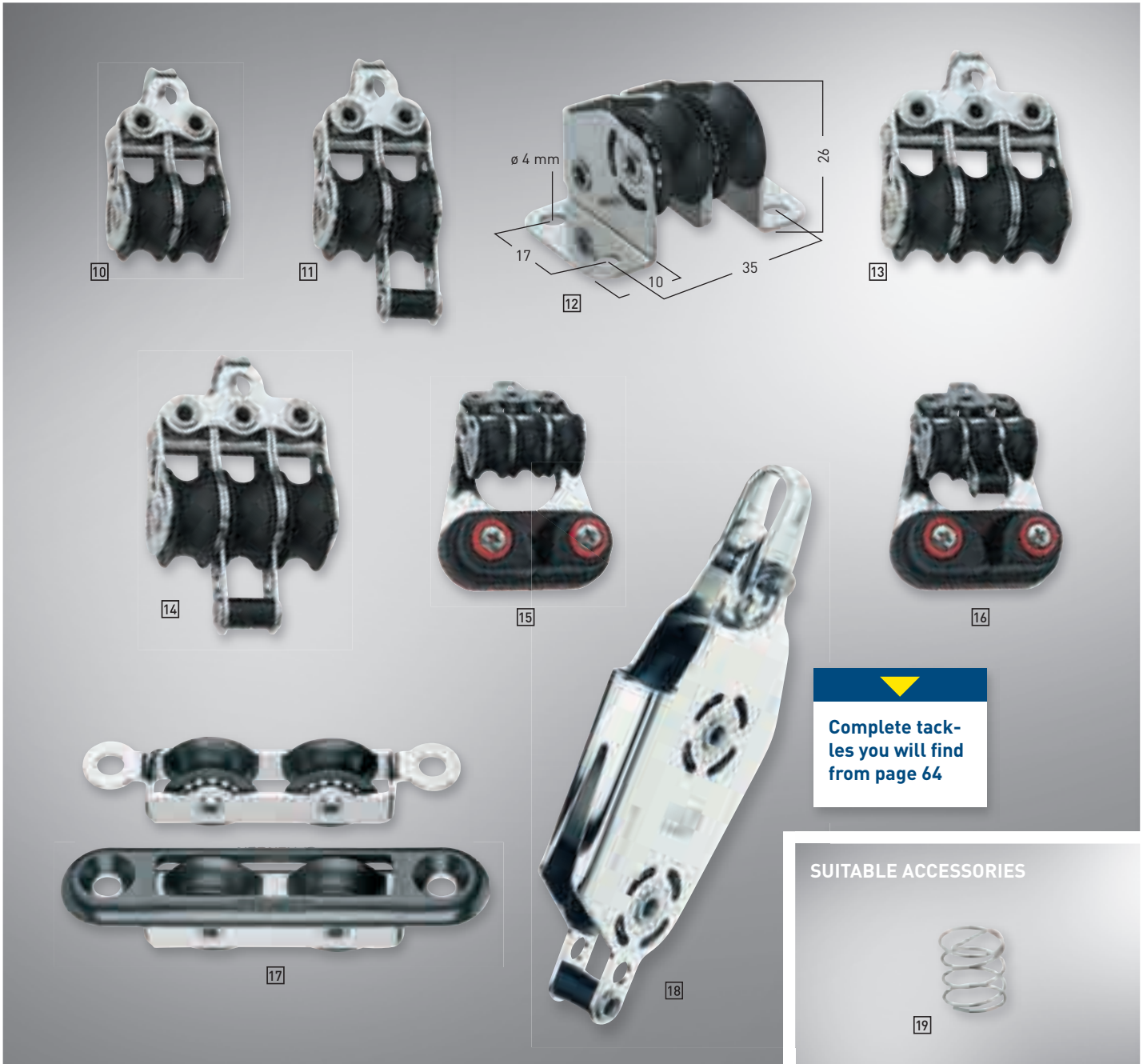
21

35321 700 55

19 x 8.3

18

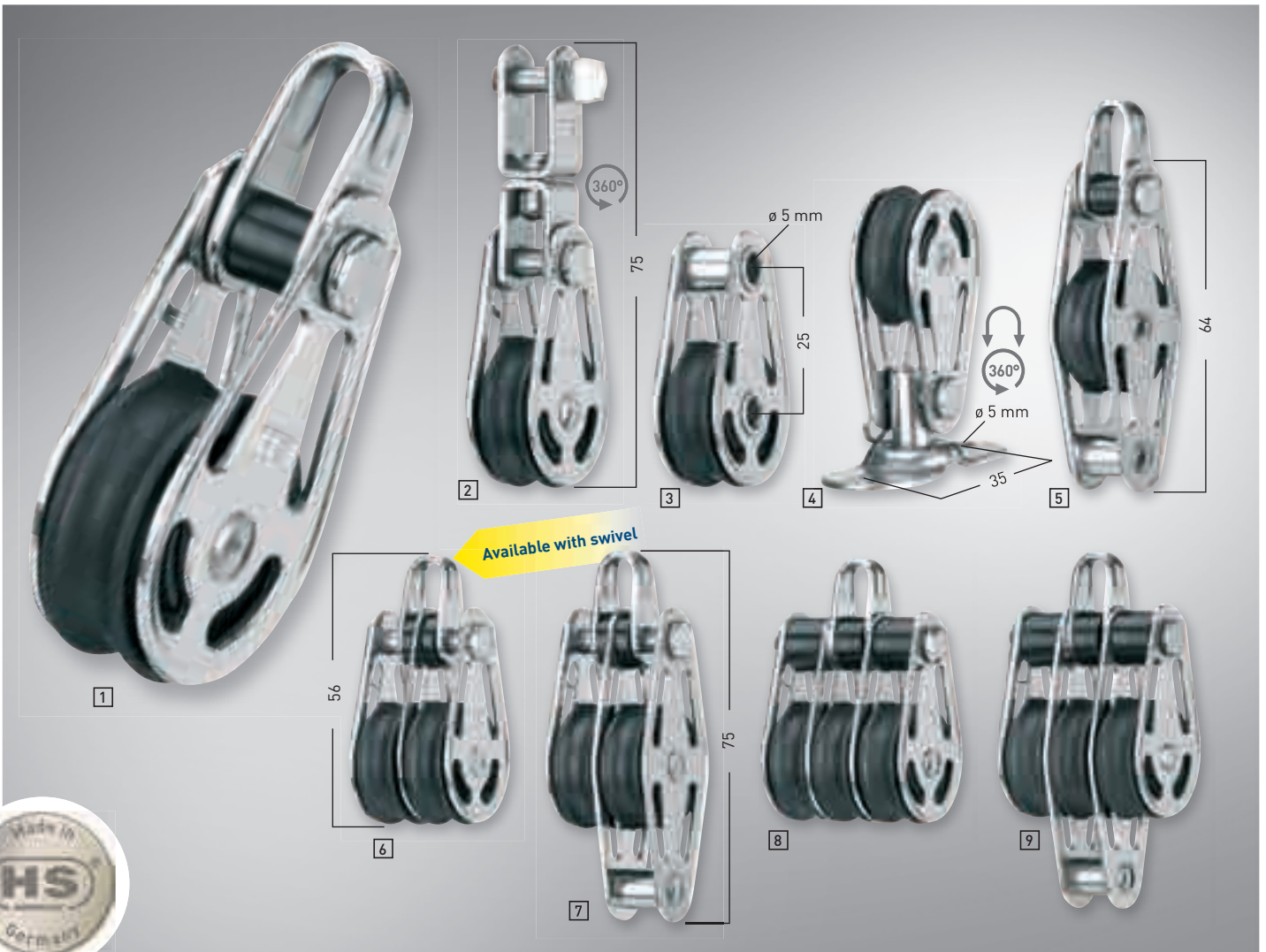
35329 010 55



Complete tack-
les you will find
from page 64

SUITABLE ACCESSORIES

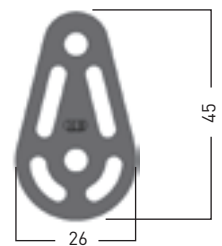
ARTICLE	Diameter of the sheave (mm)	(gr)	ARTICLE NO.
10 2 sheaves with bow	19 x 8.3	27	35322 600 55
11 2 sheaves with becket and bow	19 x 8.3	29	35323 600 55
12 Upright block, 2 sheaves	19 x 8.3	39	35332 600 55
13 3 sheaves with bow	19 x 8.3	37	35324 600 55
14 3 sheaves, becket and bow	19 x 8.3	41	35325 600 55
15 3 sheaves, cam cleat and bow	19 x 8.3	87	35326 600 55
16 3 sheaves with becket, cam cleat and bow	19 x 8.3	90	35327 600 55
17 Cheek block 2 sheaves with cover plate of made plastic	19 x 8.3	41	35329 020 55
18 Fiddle block V-cleat, 2 sheaves (w/o img.) Fiddle block V-cleat with becket, 2 sheaves	32 x 8.3 19 x 8.3	53 58	35315 600 55 35317 600 55
19 Suitable spring	-	3	34995 007 55



Sliding bearing blocks for 6 mm rope

- Sliding bearing strongly loadable
- Cheek parts made of stainless steel
- Wobble riveting: avoids sharp burrs at the rivet head
- Sheaves 25 x 9,2 mm of high quality UV-resistant plastic
- Easy fixing of bows and swivels by means of bolts and rings

- Low weight
- Made in Germany
- Excellent price/performance ratio



AT A GLANCE

175 kg

Safety working load

700 kg

Breaking load



Plastic Sliding Bearing



Bow detachable



Self service card



Stainless steel

ARTICLE	Safety working load (kg)	Breaking load (kg)	Diameter of the sheave (mm)	(gr)	ARTICLE NO.
1 1 sheave, bow	175	700	25 x 9.2	27	35065 010 55
2 1 sheave, swivel	175	700	25 x 9.2	36	35065 020 55
3 1 sheave, hollow axle	175	700	25 x 9.2	20	35065 100 55
4 1 sheave, on swivelling groundplate groundplate: 16005 / bolt: 12606	175	700	25 x 9.2	39	35065 850 55
5 1 sheave, bow, becket	175	700	25 x 9.2	36	35068 010 55
6 2 sheaves, bow 2 sheaves, swivel	175 175	700 700	25 x 9.2 25 x 9.2	42 52	35067 010 55 35067 020 55
7 2 sheaves, bow, becket	175	700	25 x 9.2	52	35069 010 55
8 3 sheaves, bow	175	700	25 x 9.2	59	35070 010 55
9 3 sheaves, bow, becket	175	700	25 x 9.2	70	35071 010 55



Complete tack-les you will find from page 64



ARTICLE	Safety working load (kg)	Breaking load (kg)	Diameter of the sheave (mm)	Weight (gr)	ARTICLE NO.
10 1 sheave, with hook, swivelling	175	700	25 x 9.2	43	35074 010 55
11 2 sheaves, with hook, swivelling	175	700	25 x 9.2	59	35072 010 55
12 1 sheave, with strap	175	700	25 x 9.2	32	35073 010 55
13 V-cleat block, 1 sheave, bow, becket	175	700	25 x 9.2	49	35120 001 55
14 V-cleat block, 2 sheaves, bow, becket	175	700	25 x 9.2	64	35120 002 55
15 V-cleat block, 3 sheaves, bow, becket	175	700	25 x 9.2	81	35120 003 55
16 Downhaul block, 2 sheaves (fiddle) with cam cleat HT08	175	900	35 x 11 22 x 11	115	35123 001 55
17 Suitable spring	-	-	-	7	34995 000 55
18 Suitable swivel	200	800	-	17	35945 000 56

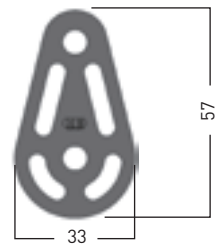


Complete tack-
les you will find
from page 64



Sliding bearing blocks for 8 mm rope

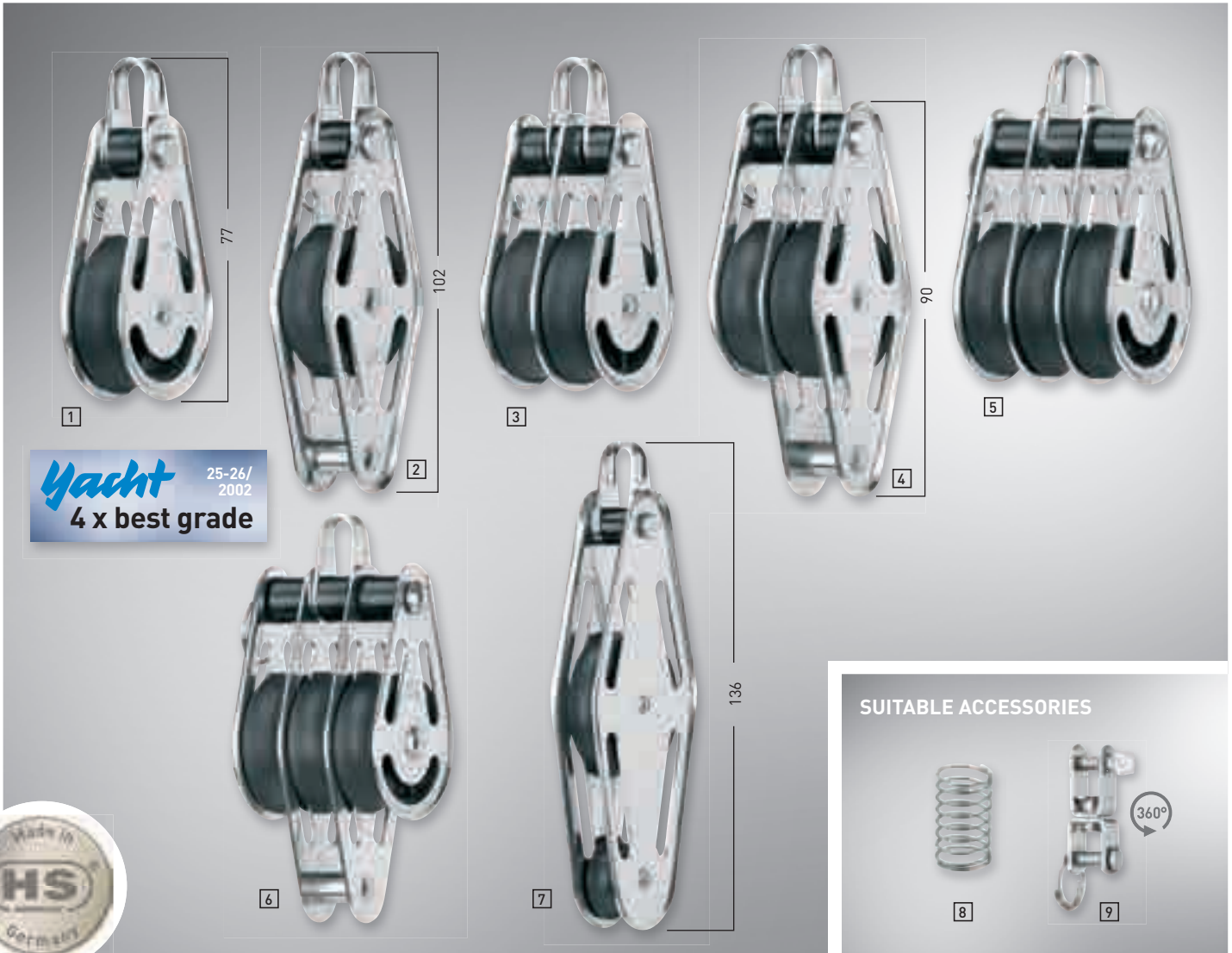
- Sliding bearing strongly loadable
- Cheek parts made of stainless steel
- Wobble riveting avoids sharp burrs at the rivet head
- Sheaves of high quality UV-resistant plastic
- Easy fixing of bows and swivels by means of bolts and rings
- Low weight
- Made in Germany
- Excellent price/performance ratio



AT A GLANCE

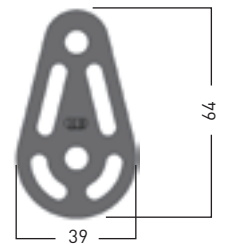
- 200 kg** Safety working load
- 800 kg** Breaking load
- Plastic Sliding Bearing
- Bow detachable
- Self service card
- Stainless steel

ARTICLE	Safety working load (kg)	Breaking load (kg)	Diameter of the sheave (mm)	(gr)	ARTICLE NO.
1 1 sheave, without bow	200	800	30 x 10	35	35000 000 55
2 1 sheave, bow	200	800	30 x 10	41	35001 000 55
3 1 sheave, bow, becket	200	800	30 x 10	53	35021 000 55
4 2 sheaves, bow	200	800	30 x 10	63	35011 000 55
5 2 sheaves, bow, becket	200	800	30 x 10	76	35031 000 55
6 Spi block	200	800	30 x 10	51	38079 000 55
7 Downhaul block, 2 sheaves, for 6-8 mm rope (fiddle) with cam cleat HT08, bow	225	900	35 x 11 22 x 11	115	35123 001 55
8 Suitable spring	-	-	-	10	34995 004 55
9 Suitable swivel	200	800	-	17	35945 000 56



Sliding bearing blocks for 10 mm rope

- Sliding bearing strongly loadable
- Cheek parts made of stainless steel
- Wobble riveting avoids sharp burrs at the rivet head
- Sheaves of high quality UV-resistant plastic
- Easy fixing of bows and swivels by means of bolts and rings
- Low weight
- Made in Germany
- Excellent price/performance ratio



ARTICLE	Safety working load (kg)	Breaking load (kg)	Diameter of the sheave (mm)	(gr)	ARTICLE NO.
1 1 sheave, bow	212	850	35 x 11	49	35001 001 55
2 1 sheave, bow, becket	212	850	35 x 11	63	35021 001 55
3 2 sheaves, bow	212	850	35 x 11	77	35011 001 55
4 2 sheaves, bow, becket	212	850	35 x 11	94	35031 001 55
5 3 sheaves, bow	212	850	35 x 11	106	35014 001 55
6 3 sheaves, bow, becket	212	850	35 x 11	121	35034 001 55
7 Fiddle block, 2 sheaves, bow	212	850	46 x 11	130	35041 001 55
8 Suitable spring	-	-	-	10	34995 004 55
9 Suitable swivel	-	-	-	18	35945 001 56

AT A GLANCE

212 kg
Safety working load

850 kg
Breaking load

Plastic Sliding Bearing

Bow detachable

SPR
Self service card

ROSTFREI
Stainless steel

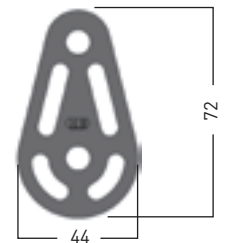


SUITABLE ACCESSORIES



Sliding bearing blocks for 12 mm rope

- Sliding bearing strongly loadable
- Cheek parts made of stainless steel
- Wobble riveting avoids sharp burrs at the rivet head
- Sheaves of high quality UV-resistant plastic
- Easy fixing of bows and swivels by means of bolts and rings
- Low weight
- Made in Germany
- Excellent price/performance ratio



AT A GLANCE

225 kg Safety working load	900 kg Breaking load	 Plastic Sliding Bearing
 Bow detachable	12 mm Ø max.	 Self service card
 Stainless steel		

ARTICLE	Diameter of the sheave (mm)	Weight (gr)	ARTICLE NO.
1 1 sheave, bow	42 x 13	66	35001 002 55
2 1 sheave, bow, becket	42 x 13	86	35021 002 55
3 2 sheaves, bow	42 x 13	107	35011 002 55
4 2 sheaves, bow, becket	42 x 13	126	35031 002 55
5 Fiddle block, 2 sheaves, bow	42 x 13	148	35041 002 55
6 Mainsheet block 2 sheaves, fiddle block, swivel and cam cleat HT13	50 x 13 29 x 13	315	35052 192 55
7 Suitable swivel	50 x 13 29 x 13	29	35945 002 56



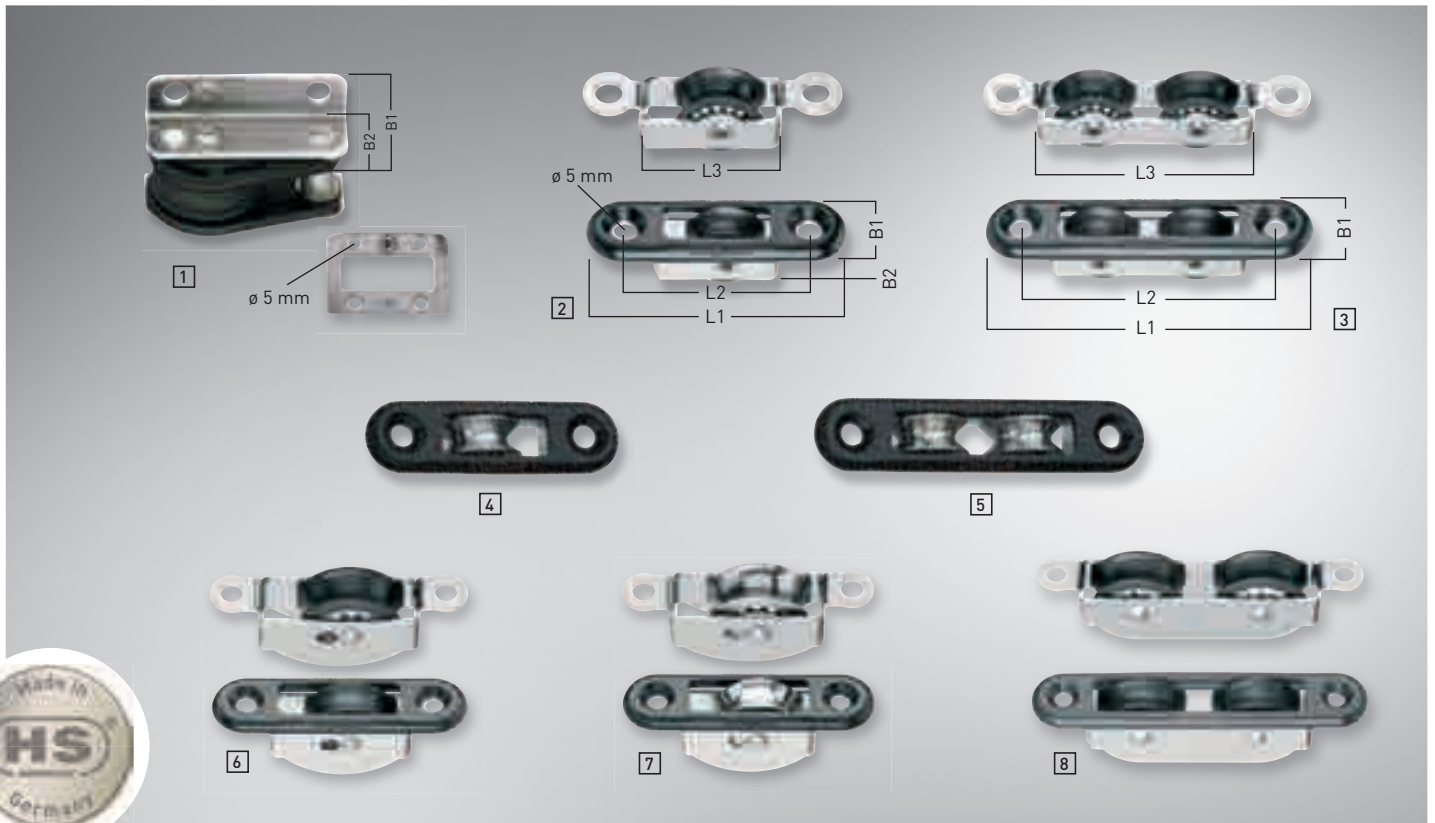
Downhaul blocks

- Sliding bearing strongly loadable
- Cheek parts made of stainless steel and seawater-resistant aluminum, anodised
- Wobble riveting avoids sharp burrs at the rivet head
- Sheaves of high quality UV-resistant plastic
- Easy fixing of bows and swivels by means of bolts and rings
- Low weight
- Made in Germany
- Excellent price/performance ratio

ARTICLE	Diameter of the sheave (mm)	Ø Rope (mm)	Safety working load (kg)	Brea-king load (kg)	Weight (gr)	ARTICLE NO.
1 Downhaul, 2 sheaves (fiddle) with cam cleat HT08, bow	35 x 11 22 x 11	6 - 8	225	900	115	35123 001 55
2 1 sheave, becket, bow	30 x 10	6 - 8	200	800	53	35021 000 55
1 sheave, becket, bow	35 x 11	6 - 10	212	850	63	35021 001 55
3 V-cleat block, 2 sheaves (fiddle) seawater-resistant aluminum, anodised	30 x 10 20 x 10	6	112	450	47	35121 001 54
4 1 sheave, becket seawater-resistant aluminum, anodised	30 x 10	6	112	450	34	35122 001 54
5 V-cleat block, 1 sheave, becket, bow	25 x 9.2	6	175	700	49	35120 001 55
6 V-cleat block, 2 sheaves, becket, bow	25 x 9.2	6	175	700	64	35120 002 55
7 V-cleat block, 3 sheaves, becket, bow	25 x 9.2	6	175	700	81	35120 003 55
8 Kicking strap plate	-	-	-	-	40	35118 000 55
9 Kicking strap hook	-	-	-	-	10	35119 000 55

AT A GLANCE

- Plastic Sliding Bearing
- Bow detachable
- 6-10 mm Rope Ø
- Self service card
- Rostfrei
Stainless steel



Cheek blocks

- Smooth-running ball bearing made of stainless steel or plastic ball bearing (fig. 6 & 8)
- Cage and bearing shell made of stainless steel
- Cover plates made of stainless steel (fig. 1) or of high quality UV-resistant plastic
- Wobble riveting avoids sharp burrs at the rivet head
- Sheaves of high quality UV-resistant plastic or stainless steel
- Low weight
- Made in Germany
- Excellent price/performance ratio

AT A GLANCE

Ball Bearing

4-12 mm

Rope-Ø

Self service card

Stainless steel

ARTICLE	Diameter of the sheave (mm)	Ø Rope (mm)	B1 (mm)	B2 (mm)	L1 (mm)	L2 (mm)	L3 (mm)	Ø Screw hole (mm)	Weight (gr)	ARTICLE NO.
1 Cheek block 1 sheave, sheave plastic, stainless steel	50 x 14	12	53	38	88	63	-	5	178	35265 502 00
2 Micro XS, cheek block 1 sheave, sheave plastic	19 x 8	6	17	12	61	45	25	5	18	35329 010 55
3 Micro XS, cheek block 2 sheaves, sheave plastic	19 x 8	6	17	12	80	64	44	5	41	35329 020 55
4 Micro XS, cheek block 1 sheave, sheave stainless steel	19 x 8	4	17	12	61	45	25	5	24	35329 610 55
5 Micro XS, cheek block 2 sheaves, sheave stainless steel	19 x 8	4	17	12	80	64	44	5	41	35329 650 55
6 Cheek block 1 sheave, sheave plastic	27 x 11	8	20	15	73	55	35	5	20	35215 010 55
7 Cheek block, 1 sheave sheave stainless steel	27 x 11	8	20	15	73	55	35	5	55	35215 610 55
8 Cheek block 2 sheaves, sheave plastic	27 x 11	8	20	15	102	82	73	5	40	35215 020 55



Sheaves

ARTICLE	Bearing	Ø Rope (mm)	Ø Wire (mm)	Diameter of the sheave (mm)	Ø Boring (mm)	ARTICLE NO.
1 Sheave complete unit of high quality plastic	⊗	8	-	27 x 11	5	30960 005 00
		8	-	27 x 11	6	30960 006 00
2 Sheave Hostaform C®	⊙	8	-	22 x 10.5	5.2	30970 001 63
		8	-	22 x 10.5	8.2	30970 002 63
		10	-	26 x 11.5	8.2	30970 026 63
		12	-	29 x 13.5	8.2	30970 029 63
		8	-	30 x 10.8	8.2	30970 030 63
		10	-	35 x 11.5	8.2	30970 035 63
		12	-	42 x 13.5	8.2	30970 042 63
		10	-	46 x 11.5	8.2	30970 046 63
		12	-	50 x 13.8	8.2	30970 050 63
		6	-	63 x 12.0	6.1	30980 063 63
3 Sheave brass II. nickel plated	⊙	4.5	4.5	13 x 6	4.3	30950 001 34
		6	6	17 x 8	4.3	30950 002 34
		8	8	20 x 9	4.6	30950 004 34
		8	8	25 x 10	5.3	30950 005 34
		8	8	30 x 10	6.2	30950 006 34
4 Sheave hub, balls, and sheave stainless steel for swivelling mast block or usable as halyard block	⊗	8	-	27 x 10.5	5	30940 008 55
5 Sheave stainless steel Ball bearing cage of high quality plastic, sheaves: stainless steel	⊗	5	3	25 x 6.6	6	30945 000 55
6 Sheave stainless steel Ball bearing cage of high quality plastic, sheaves: stainless steel	⊗	6	4	38 x 8	8	30946 000 55

AT A GLANCE



Self service card

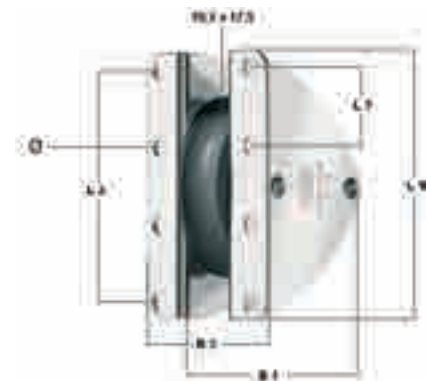


Stainless steel



Mast cheek blocks

- Sliding bearing strongly loadable
- Cage made of stainless steel
- Wobble riveting avoids sharp burrs at the rivet head
- Sheaves of high quality UV-resistant plastic or aluminum
- Made in Germany
- Excellent price/performance ratio



AT A GLANCE

Plastic Sliding Bearing

8-12 mm

Rope-Ø

Stainless steel

ARTICLE	Diameter of the sheave (mm)	Ø Rope (mm)	B1 (mm)	B2 (mm)	L1 (mm)	L2 (mm)	L3 (mm)	Ø Screw hole (mm)	Weight (gr)	ARTICLE NO.	
1 Mast cheek block	30 x 12 plastic	8	40	19	50	40	-	5	2	78	35086 008 55
2 Mast cheek block	44 x 14 aluminum	10	47	23	80	68	34	5	2	187	35086 010 55
3 Mast cheek block	58.5 x 17.5 aluminum	12	56	29	100	87	29	5	2.5	473	35086 012 55



SPRENGER – OUR COMPETENCES:

»For our product development we work together with leading regatta sailors. Therefore we can react immediately to specific requirements.«





Foot blocks

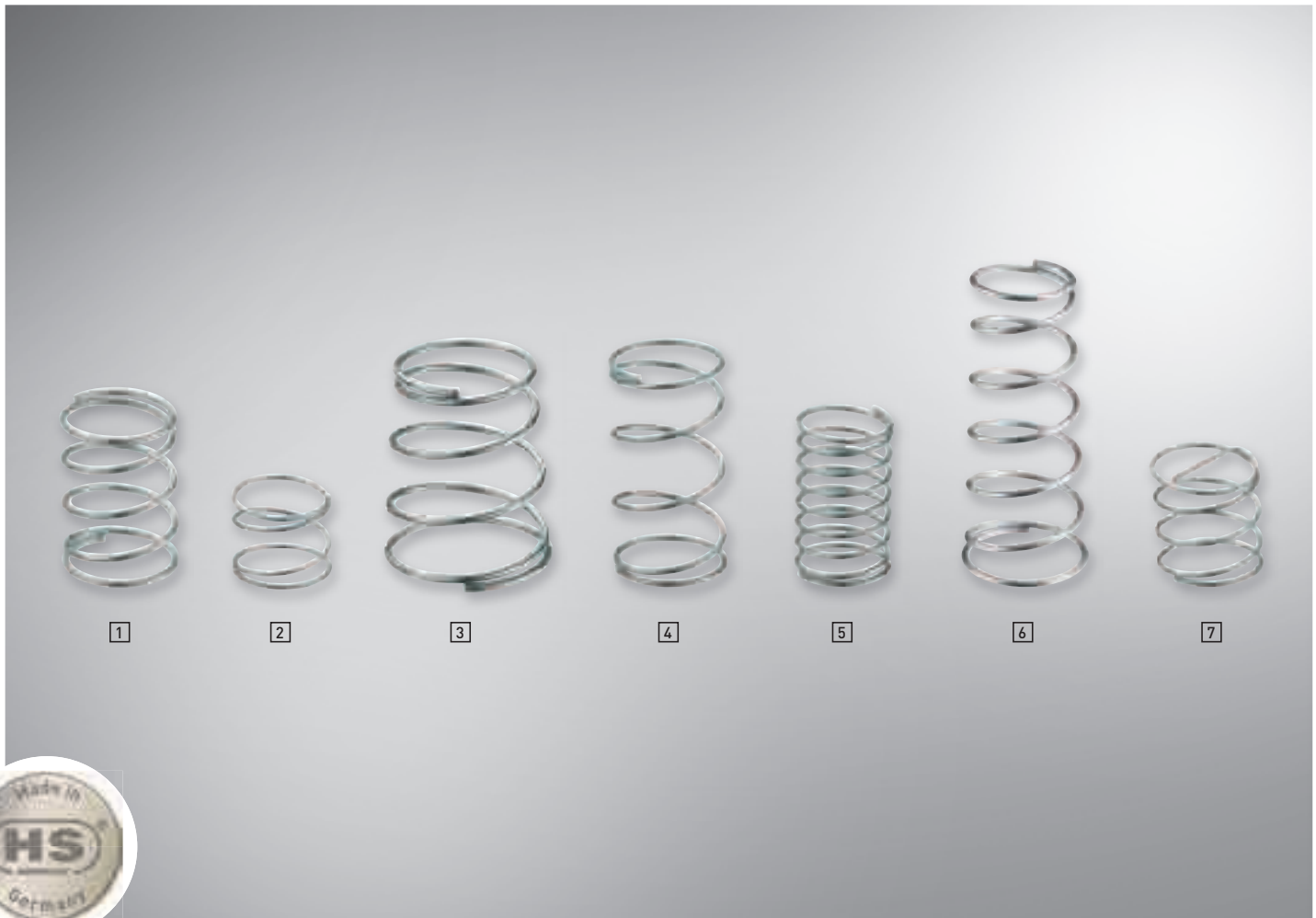
- Sliding bearing strongly loadable and smooth-running ball bearing
- Application made of high quality material: stainless steel and high quality UV-resistant plastic
- Wobble riveting avoids sharp burrs at the rivet head
- Sheaves made of high quality UV-resistant plastic
- Easy fixing by means of bolts and rings
- Low weight
- Made in Germany
- Excellent price/performance ratio

AT A GLANCE

Self service card

Stainless steel

ARTICLE	Bearing	Diameter of the sheave (mm)	Ø Rope (mm)	L1 (mm)	Ø (mm)	Weight (gr)	ARTICLE NO.
1 Swivelling lead block stainless steel	☉	42 x 13	12	-	5	132	37424 002 55
2 Swivelling lead block with strap stainless steel	☉	42 x 13	12	-	5	142	37425 002 55
3 Ground plate with bolt stainless steel	-	-	-	-	5	30	37435 000 55
4 Mast foot block 12 mm	☉	50 x 14	12	-	-	91	35263 002 55
5 Mast foot block 14 mm	☉	70 x 18	14	-	-	235	35263 003 55
6 Bolt-Ø 12 mm	-	-	-	45	6	38	33730 102 55
Bolt-Ø 14 mm	-	-	-	50	8	58	33730 103 55
7 Bolt-Ø 12 mm thread M8	-	-	-	40	6	34	33730 202 55
Bolt-Ø 14 mm thread M8	-	-	-	50	8	48	33730 203 55
8 Lead on base plate rotatable	-	-	-	47	5	33	34473 020 55
Lead without base plate	-	-	-	-	5	17	34475 000 55




Springs


- Application made of high quality material: stainless steel
- Optimized spring programme
- Springs are matched with the SPRENGER block programme
- By less thread turns we reach a larger stability
- Low weight
- Made in Germany
- Excellent price/performance ratio

Suitable for blocks	∅ inside (mm)	length (mm)	Weight (gr)	ARTICLE NO.
1 Various, e.g. 35570 020 55, all 8 mm plastic blocks, all 6 mm blocks (stainless steel)	20	33	7	34995 000 55
2 Various	14.5	17	5	34955 001 55
3 All 8 mm plastic blocks, tapered	24/29	40	7	34995 002 55
4 All 12 mm plastic blocks	28	62	12	34995 003 55
5 All 10 mm plastic blocks, all 8 mm blocks (stainless steel cheek parts) 37424, 37425, 35570, 35571	23.5	43	10	34995 004 55
6 Ratchet blocks, tapered	22/28	76	14	34995 005 55
7 Micro XS	20.5	20.5	3	34995 007 55

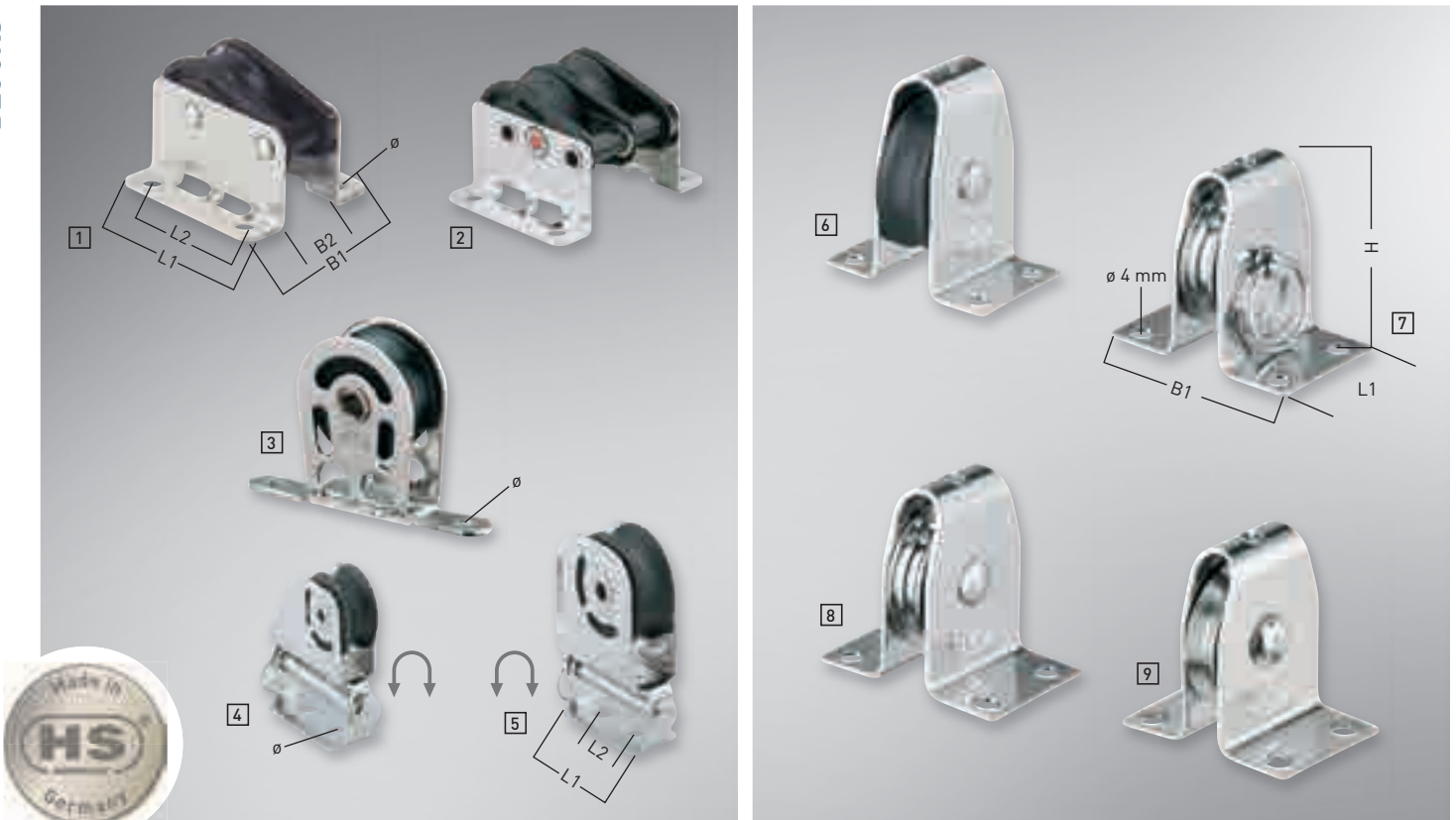
AT A GLANCE



Self service card



Stainless steel



Upright blocks

- Strongly loadable sliding bearing or smooth-running ball bearing allow versatile application fields
- Application of high quality material: stainless steel and high quality UV-resistant plastic
- Wobble riveting avoids sharp burrs at the rivet head
- Sheaves of high quality UV-resistant plastic, stainless steel or brass nicked
- Easy fixing by means of bolts and rings
- Low weight
- Made in Germany
- Excellent price/performance ratio

AT A GLANCE

4-8 mm

Rope-Ø



Self service card



Stainless steel

ARTICLE	Bearing	Diameter of the sheave (mm)	Safety		L1 (mm)	L2 (mm)	B1 (mm)	B2 (mm)	H (mm)	Ø (mm)	Weight (gr)	ARTICLE NO.	
			Ø Rope (mm)	working load (kg)									Breaking load (kg)
1 Upright block 1 sheave	⊙	27 x 11	8	-	-	45	32	43	32	-	5	54	35266 510 55
2 Upright block 2 sheaves	⊙	27 x 11	8	-	-	45	32	58	47	-	5	71	35266 520 55
3 Block, 1 sheave Strap	⊙	27 x 11	8	75	300	41	12	-	-	-	5	29	35135 500 55
4 Micro XS, 1 sheave tiltable	⊙	19 x 8	6	85	340	32	15	15	-	39	5	35	35149 000 55
5 Tilttable block, 1 sheave	⊙	27 x 11	8	75	300	32	15	15	-	50	5	45	35148 000 55
6 Upright block, 1 sheave riveted	⊙	30 x 10 plastic	6	300	1.200	25	17	38	12	42	4	36	35111 002 55
7 Upright block, 1 sheave detachable	⊙	25 x 7 30 x 10 brass nick.	4	250	1.000	25	17	38	8	34	4	44	35111 000 55
8 Upright block, 1 sheave riveted	⊙	25 x 7 brass nick.	4	250	1.000	25	17	38	12	34	4	43	35111 003 55
9 High Load, 1 sheave upright block	⊙	25 x 6 stainless steel	5	187,5	750	25	13	36	7	34	4	38	35309 650 55



Industry blocks

- Strongly loadable sliding bearing
- cheek parts of high quality materials: stainless steel and high quality UV-resistant plastic
- Wobble riveting avoids sharp burrs at the rivet head
- Sheaves of high quality UV-resistant plastic
- High working and breaking loads
- Made in Germany
- Excellent price/performance ratio

ARTICLE	Diameter of the sheave (mm)	Ø Rope (mm)	Safety working load (kg)	Breaking load (kg)	L1 (mm)	B1 (mm)	Ø eye (mm)	Weight (gr)	ARTICLE NO.	
1 Super mini block, 1 sheave	sheave plastic	16 x 6	6	112	450	28,5	-	-	7	35225 001 55
	sheave brass nickeled	16 x 6	6	112	450	28,5	-	-	12	35225 000 55
2 Super mini block, 2 sheaves	sheave plastic	16 x 6	6	235	940	28,5	-	-	15	35226 001 55
	sheave brass nickeled	16 x 6	6	235	940	28,5	-	-	26	35226 000 55
3 1 sheave through-bow	20 x 10	10	125	500	38	-	-	18	35230 000 55	
4 1 sheave with wire-swivel	20 x 10	10	37	150	55	-	-	19	35231 000 55	
5 1 sheave with tin-swivel	20 x 10	10	112	450	59	-	-	27	35232 000 55	
6 1 sheave through-bow with becket	20 x 10	10	125	500	53	-	-	26	35233 000 55	
7 1 sheave with wire-swivel and fender cleat	20 x 10	10	37	150	64	-	-	26	35234 001 55	
8 Kite block plastic with rivet made of stainless steel (1 set = 2 pcs)	16 x 5	4	47	190	30	16	9 x 4	5	35420 916 00	
9 Kite block plastic with rivet made of stainless steel, loose packaging	16 x 5	4	47	190	30	16	9 x 4	5	35420 016 A0	

AT A GLANCE



Plastic Sliding Bearing

4-10 mm

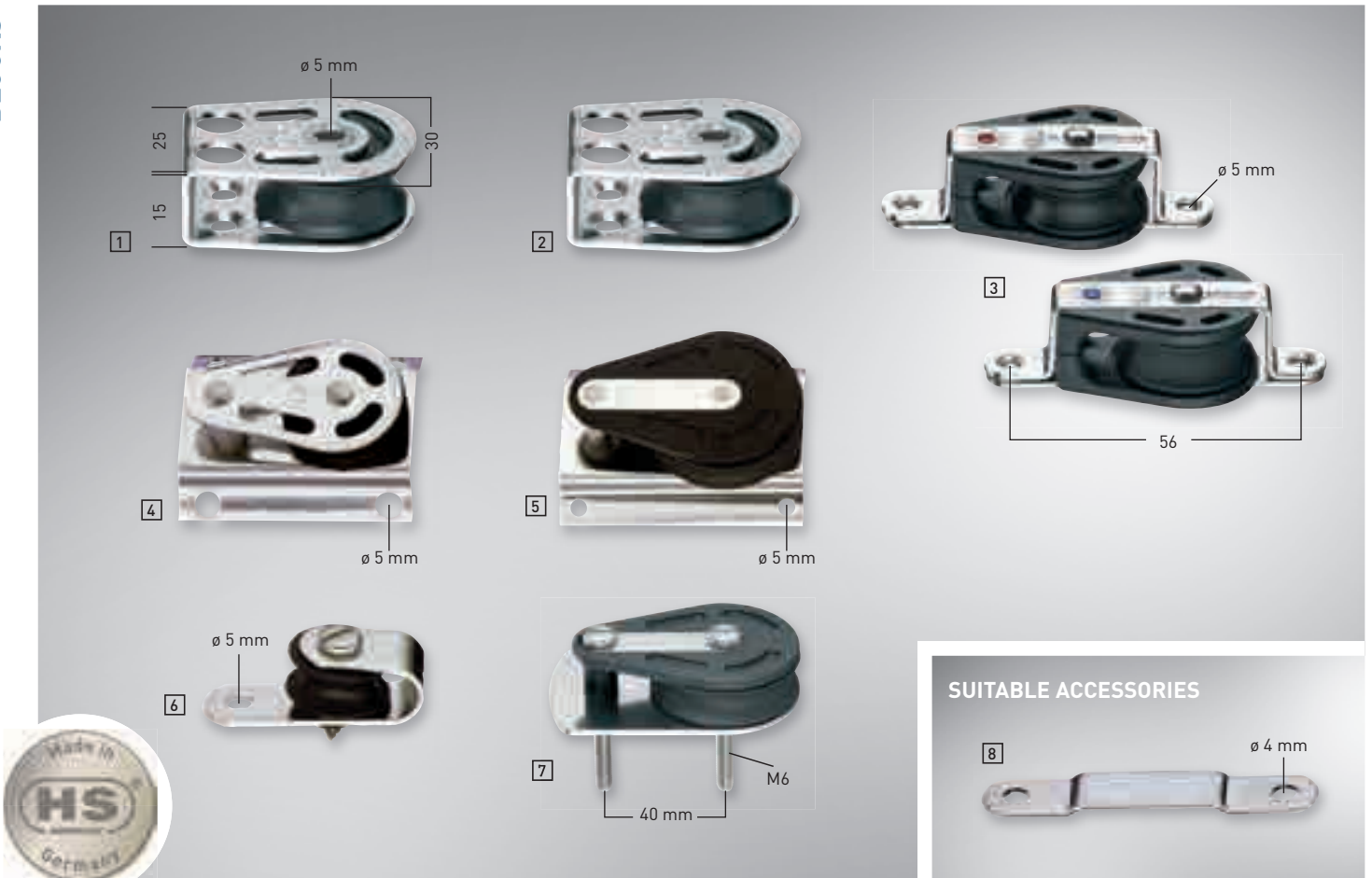
Rope-Ø



Self service card



Stainless steel



Cheek blocks for 6-12 mm rope

- Strongly loadable sliding bearing or smooth-running ball bearing allow versatile application fields
- Application of high quality material: stainless steel and high quality UV-resistant plastic
- Wobble riveting avoids sharp burrs at the rivet head
- Sheaves of high quality UV-resistant plastic
- Low weight
- Made in Germany
- Excellent price/performance ratio

AT A GLANCE

6-12 mm

Rope-Ø

Self service card

Stainless steel

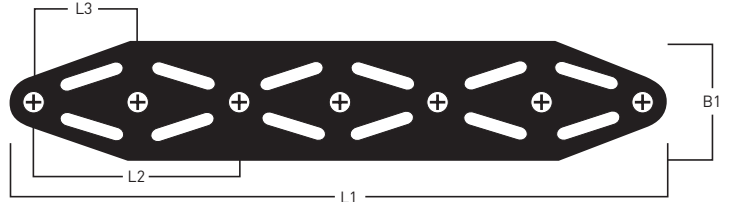
ARTICLE		Diameter of Bearing	Diameter of the sheave (mm)	Ø Rope (mm)	Safety working load (kg)	Breaking load (kg)	Boom (mm)	Weight (gr)	ARTICLE NO.
1	Cheek block with hollow axle	☉	27 x 11	8	75	300	-	31	35135 000 55
2	Cheek block with hollow axle	⊗	27 x 11	8	75	300	-	29	35135 500 55
3	Cheek block	⊗	27 x 11.5	8	150	600	-	35	35656 600 55
			27 x 11.5	8	300	600	-	40	35656 300 55
4	Boom blocks cheek parts: stainless steel	☉	25 x 9.2	6	-	-	60	40	35142 000 55
			30 x 10	8	-	-	60	61	35142 001 55
			35 x 11	10	-	-	60	74	35142 002 55
5	Boom blocks cheek parts: plastic	☉	50 x 14	12	-	-	100	108	35142 003 55
6	Cheek block with tin screw DIN 79871 A / 4.8 x 25 mm	☉	20 x 10	8	-	-	-	21	35145 000 55
7	Cheek block on stainless steel-groundplate, with screws	☉	50 x 14	12	-	-	-	141	35143 102 55
8	Strap for 35135	-	-	-	75	300	-	7	35136 000 55



Cheek blocks for 12-14 mm rope

- Strongly loadable sliding bearing or smooth-running ball bearing
- Application of high quality material: stainless steel and high quality UV-resistant plastic
- Wobble riveting avoids sharp burrs at the rivet head
- Sheaves of high quality UV-resistant plastic
- Cheek parts: stainless steel and seawater-resistant aluminum (black), anodised
- Possible to mount these blocks in top of the other, 1 on 2, 2 on 3
- Versatile application fields in water sports, industry and DIY

- Low weight
- Made in Germany
- Excellent price/performance ratio



ARTICLE	Bearing	Diameter of the sheave (mm)	Rope (mm)	Safety working load (kg)	Brea-king load (kg)	L1 (mm)	L2 (mm)	L3 (mm)	B1 (mm)	H1 (mm)	∅ (mm)	Weight (gr)	ARTICLE NO.
1 Cheek block MIDI 1 sheave	⊗	29 x 14 plastic	12	225	900	69	54.5	27.25	30	21	5	42	35153 101 53
2 Cheek block MIDI 2 sheaves	⊗	29 x 14 plastic	12	225	900	123.5	54.5	27.25	30	21	5	79	35153 102 53
1 Cheek block MIDI 1 sheave	⊙	29 x 14 plastic	12	225	900	69	54.5	27.25	30	21	5	37	35153 001 53
2 Cheek block MIDI 2 sheaves	⊙	29 x 14 plastic	12	225	900	123.5	54.5	27.25	30	21	5	67	35153 002 53
3 Cheek block MIDI 3 sheaves	⊙	29 x 14 plastic	12	225	900	178	54.5	27.25	30	21	5	100	35153 003 53
1 Cheek block MAXI 1 sheave	⊙	40 x 15 aluminum	14	500	2,000	85	70	35	40	23	6	78	35154 001 53
3 Cheek block MAXI 3 sheaves	⊙	40 x 15 aluminum	14	500	2,000	225	70	35	40	23	6	233	35154 003 53

AT A GLANCE

12-14 mm

Rope-∅

Self service card



Special blocks

- Strongly loadable sliding bearing
- Application of high quality material: stainless steel and high quality UV-resistant plastic
- Wobble riveting avoids sharp burrs at the rivet head
- Sheaves of high quality UV-resistant plastic
- Versatile application fields
- Excellent price/performance ratio

AT A GLANCE



Plastic Sliding Bearing



Self service card



Stainless steel

ARTICLE	Diameter of the sheave (mm)	Ø Rope (mm)	Working load (kg)	Break-ing load (kg)	Wichard-No.	Screw hole Ø (mm)	Weight (gr)	ARTICLE NO.
1 1 sheave with swivel stainless steel	58 x 14	14	350	1,400	-	-	159	35002 003 55
2 Steering cable blocks with strap	65 x 12	12	-	-	-	5	66	35190 000 55
3 Steering cable blocks with opened strap	65 x 12	12	-	-	-	5	65	35191 000 55
4 BARTON Snatch block with swivel, snap shackle brass chromed	48 x 22 35 x 16	20 14	142 112	570 450	- -	- -	417 200	35165 000 00 35165 001 00
5 WICHARD Snatch block with swivel, snap shackle stainless steel	55 55	12 18	325 625	1,300 2,500	34500 35500	- -	265 411	35164 000 55 35164 001 55
6 Swivel base with cam cleat HT13 on stainless steel ground plate	27 x 11	8	-	-	-	6.5	227	37440 000 55
7 Swivel base with rope guide and cam cleat HT13	-	12	-	-	-	5	234	37438 000 00
8 Swivelling mastblock sheave detachable cam cleat HT08	27 x 11	4 - 6	-	-	-	5	150	37439 000 55




Stanchion- and trapeze blocks


- Strongly loadable sliding bearing or optionally smooth-running ball bearing
- Application of high quality material: stainless steel and high quality UV-resistant plastic
- Wobble riveting avoids sharp burrs at the rivet head
- Sheaves of high quality UV-resistant plastic
- Easy fixing by means of bolts and rings
- For stanchion Ø 25mm
- Made in Germany
- Excellent price/performance ratio

ARTICLE	Bearing	Diameter of the sheave (mm)	Ø Rope (mm)	Working load (kg)	Breaking load (kg)	(gr)	ARTICLE NO.
1 Stanchion block for 25 mm Ø rotatable and tiltable	☉	27 x 11.5	8	150	600	59	35162 100 55
	☉	35 x 12	10	212	850	73	35162 101 55
	☉	50 x 14	12	250	1,000	113	35162 102 55
2 Stanchion block for 25 mm Ø rotatable and tiltable	⊗	27 x 11.5	8	150	600	55	35162 600 55
	⊗	35 x 12	10	212	850	78	35162 601 55
	⊗	50 x 14	12	250	1,000	117	35162 602 55
3 Railing lead for 25 mm Ø, stainless steel	-	-	-	-	-	39	35166 000 55
4 Stanchion block for 25 mm Ø	No SPRENGER product	⊗ 46 x 16	10-12	-	-	106	35168 112 55
5 Trapeze ring with block welded on for 6 mm rope	☉	25 x 9.2	6	-	-	57	38073 001 55
6 Trapeze ring with block welded on with becket for 6 mm rope	☉	25 x 9.2	6	-	-	64	38076 001 55
7 Trapeze ring with 90° twisted eye	-	-	-	-	-	12	38070 000 55
8 Trapeze ring with straight placed ring	-	-	-	-	-	12	38071 000 55
9 Trapeze ring with straight placed ring and additional enhancement bar	-	-	-	-	-	12	38072 000 55

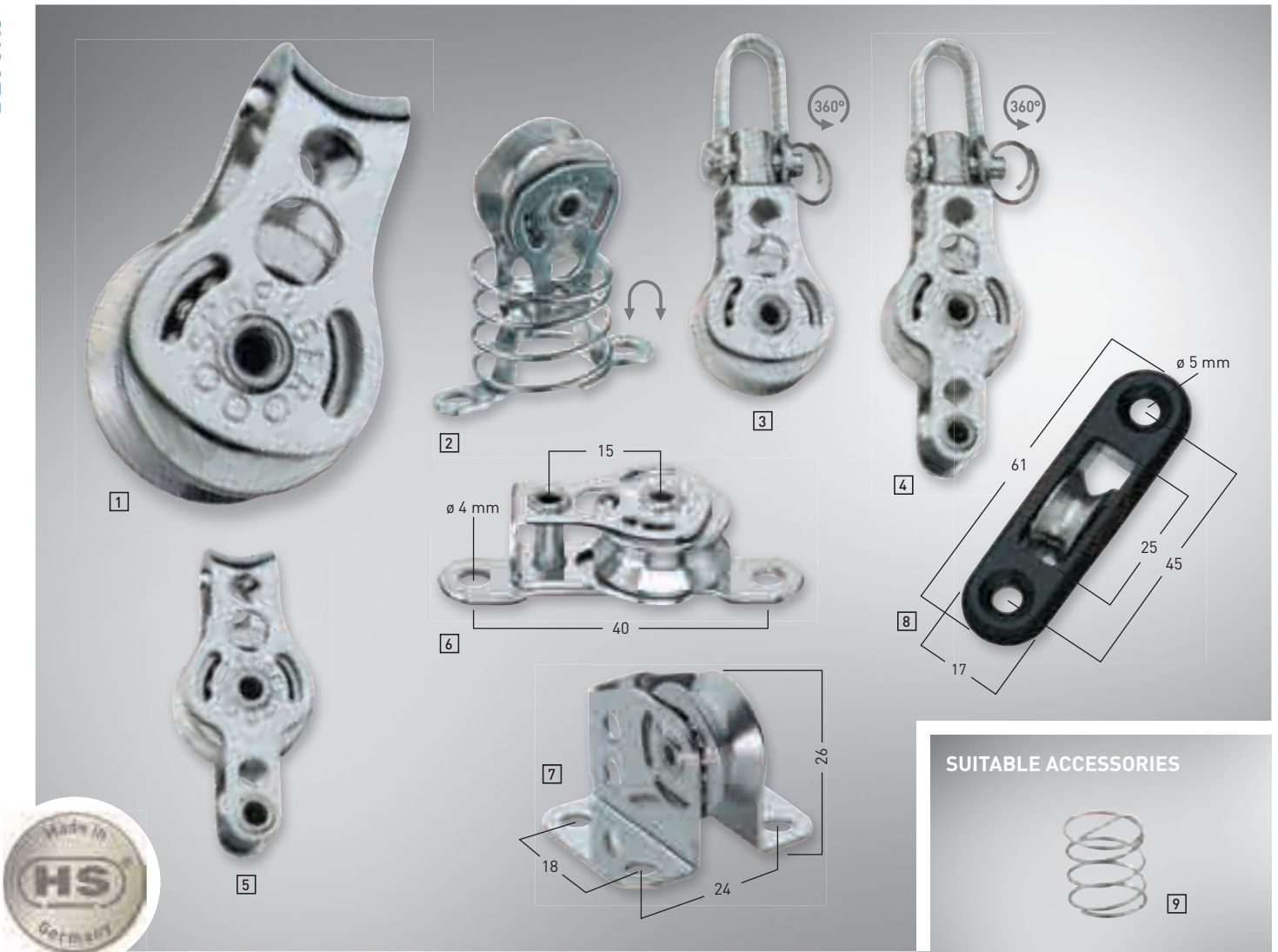
AT A GLANCE



Self service card

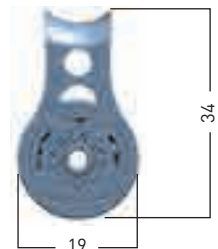


Stainless steel



Micro XS blocks for wire

- Smooth-running ball bearing made of stainless steel
- Bearing body and balls made of stainless steel
- Wobble riveting avoids sharp burrs at the rivet head
- Cheek parts and sheaves 19 x 8.3 mm stainless steel
- Low weight
- Extremely small and lightweight blocks of compact shape
- Especially suitable for kicking strap, jigger or trimming lines
- Many versions and fields of application
- Especially suitable for wire and Dyneema
- Made in Germany
- Excellent price/performance ratio



SUITABLE ACCESSORIES



AT A GLANCE

112 kg

Working load

450 kg

Breaking load



Stainless steel ball bearing

4 mm

Ø max.

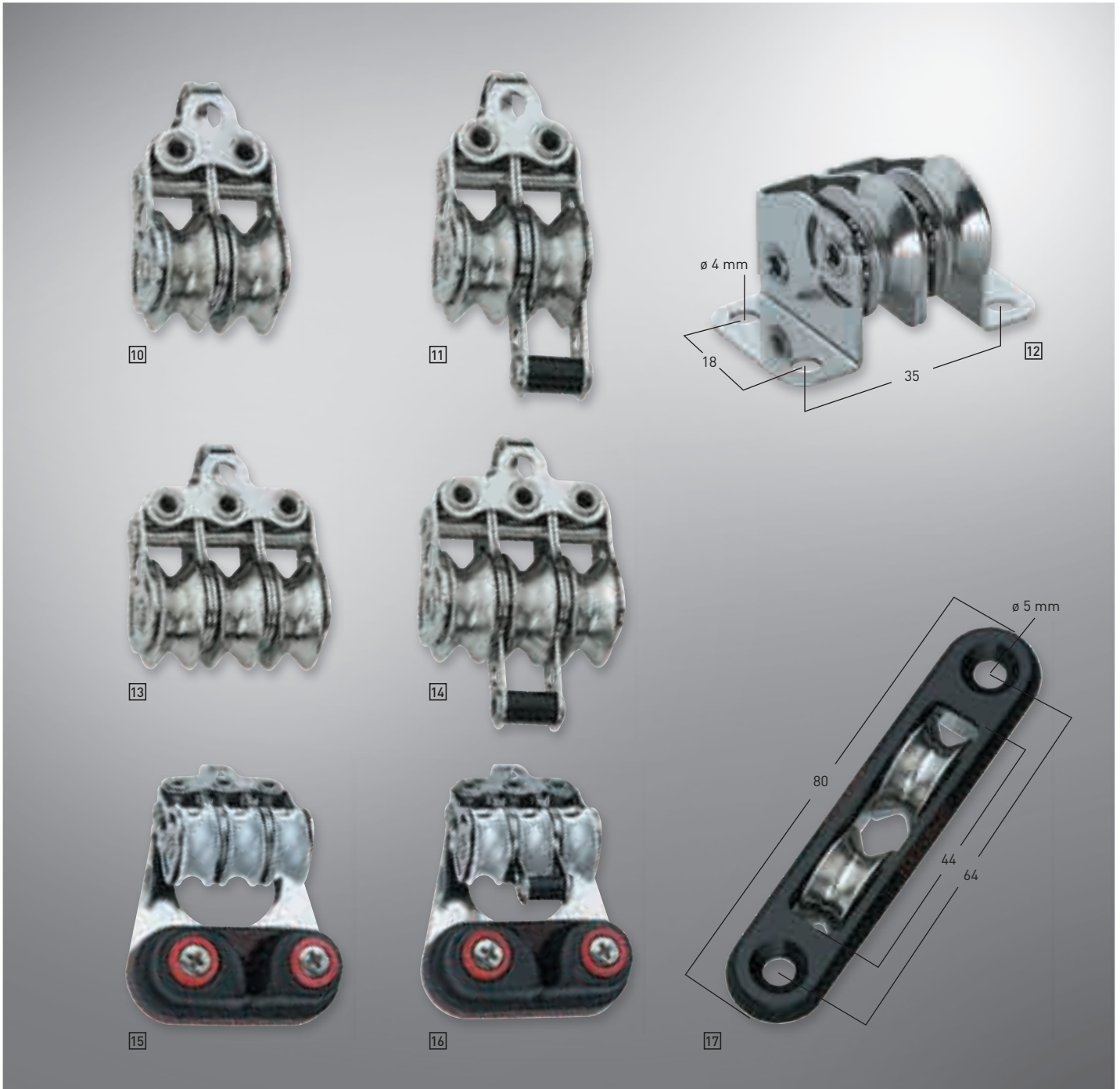


Self service card

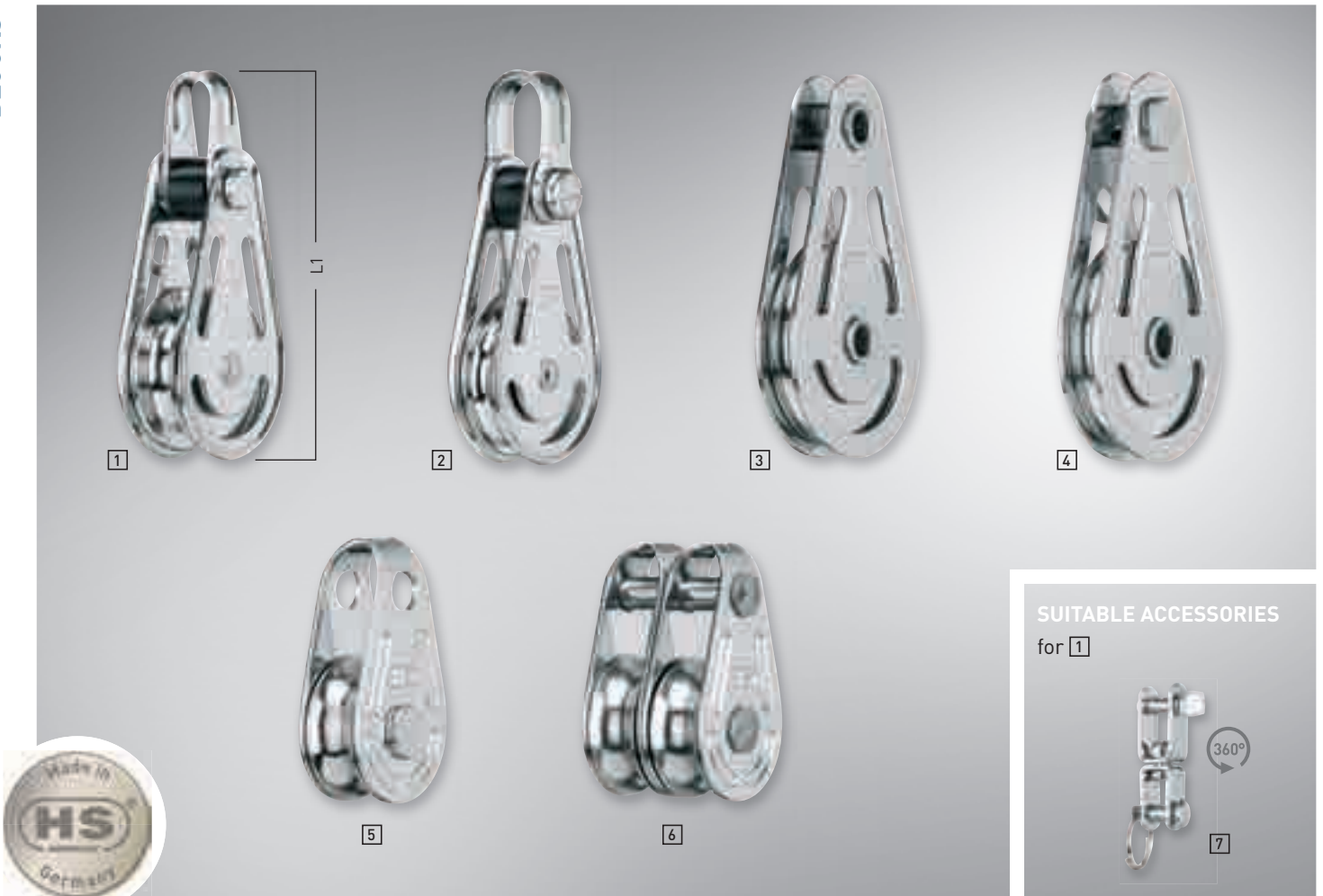


Stainless steel

ARTICLE	Diameter of the sheave (mm)	Weight (gr)	ARTICLE NO.
1 1 sheave, through bow	19 x 8.3	17	35320 650 55
2 1 sheave, through bow with mounted fender and spring	19 x 8.3	24	35318 650 55
3 1 sheave, swivel	19 x 8.3	25	35320 750 55
4 1 sheave, becket and swivel	19 x 8.3	28	35321 750 55
5 1 sheave, becket	19 x 8.3	19	35321 650 55
6 Cheek block, 1 sheave	19 x 8.3	23	35328 650 55
7 Upright block, 1 sheave	19 x 8.3	28	35331 650 55
8 Through deck block 1 sheave with cover plate of plastic	19 x 8.3	24	35329 610 55
9 Suitable spring	-	7	34995 007 55



ARTICLE	Diameter of the sheave (mm)	Weight (gr)	ARTICLE NO.
10 2 sheaves, with bow	19 x 8.3	41	35322 650 55
11 2 sheaves, with becket and bow	19 x 8.3	43	35323 650 55
12 Upright block, 2 sheaves	19 x 8.3	51	35332 650 55
13 3 sheaves, with bow	19 x 8.3	64	35324 650 55
14 3 sheaves, with becket and bow	19 x 8.3	64	35325 650 55
15 3 sheaves, with cam cleat and bow	19 x 8.3	111	35326 650 55
16 3 sheaves, with cam cleat, becket and bow	19 x 8.3	113	35327 650 55
17 Through deck block 2 sheaves with cover plate of plastic	19 x 8.3	41	35329 650 55



Blocks for wire

- Strongly loadable sliding bearing
- Wobble riveting avoids sharp burrs at the rivet head
- Cheek parts and cage made of stainless steel
- Sheaves brass nicked, especially suitable for wire and Dyneema
- Compact shape

- Easy fixing by means of bolts and rings
- Versatile application fields in water sports, industry and DIY
- Made in Germany
- Excellent price/performance ratio

AT A GLANCE

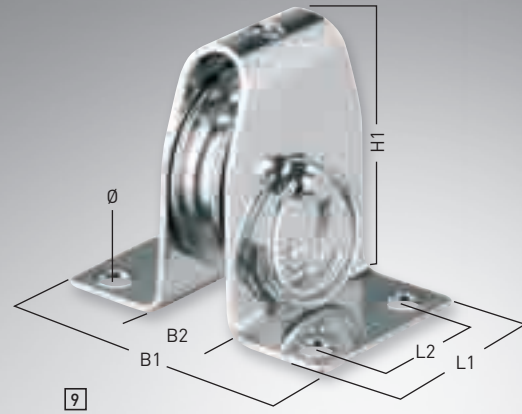
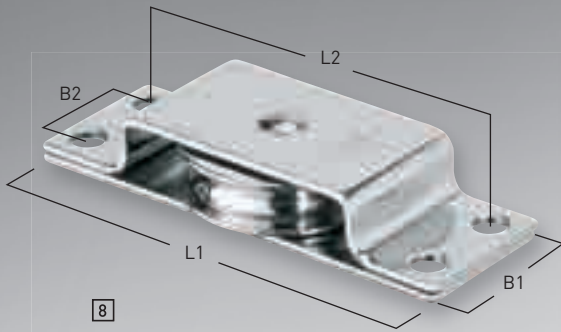
Sliding Bearing

4-6 mm
Wire-Ø

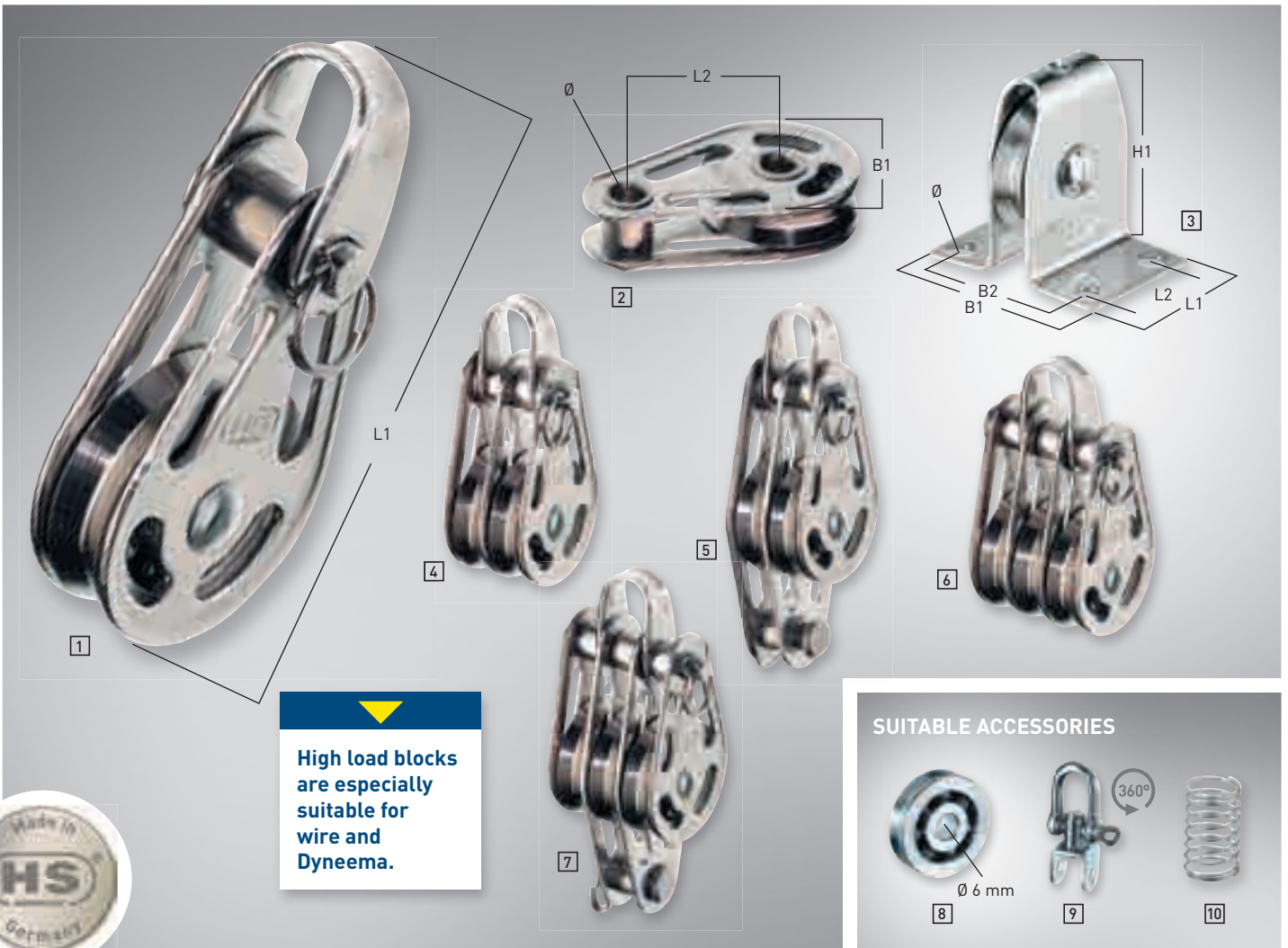
Self service card

Stainless steel

ARTICLE	Diameter of the sheave (mm)	Ø Wire (mm)	Working load (kg)	Breaking load (kg)	L1 (mm)	Ø (mm)	Weight (gr)	ARTICLE NO.
1 1 sheave, with bow bow detachable	30 x 10	6	225	900	70	-	69	35103 000 55
2 1 sheave, with shackle	30 x 7	6	162	650	70	-	63	35105 000 55
3 1 sheave with two hollow axles	35 x 5	4	275	1,100	64	5	61	35108 000 55
4 1 sheave 1 hollow axle, 1 axis with bolt and ring	35 x 5	4	275	1,100	64	5	64	35108 001 55
5 Super-mini-block 1 sheave	16 x 6	4	120	480	28.5	-	12	35225 000 55
6 Super-mini-block 2 sheaves	16 x 6	4	235	940	28.5	-	26	35226 000 55
7 Swivel suitable for 35103	-	-	200	800	41	-	17	35945 000 56



ARTICLE	Diameter of the sheave (mm)	Ø Wire (mm)	Working load (kg)	Breaking load (kg)	L1 (mm)	L2 (mm)	B1 (mm)	B2 (mm)	H1 (mm)	Ø (mm)	Weight (gr)	ARTICLE NO.
8 Cheek block 1 sheave	25 x 7	4	225	900	60	51	20	12	-	4	45	35131 000 55
	30 x 10	6	225	900	68	60	20	12	-	4	66	35131 001 55
9 Upright block sheave detachable	25 x 7	4	250	1,000	25	17	38	8	34	4	44	35111 000 55
	30 x 10	6	250	1,000	25	17	38	8	40	4	61	35111 001 55
10 Upright block sheave riveted	25 x 7	4	250	1,000	25	17	37	8	34	4	43	35111 003 55
11 Brass block	20 x 9	6	-	-	50	-	-	-	-	-	43	35170 050 A0
12 Block with aluminum sheave	50 x 8	6	250	1,000	-	-	-	-	88	-	93	35258 005 55



High load blocks 25 mm

- Smooth-running ball bearing made of stainless steel
- Wobble riveting avoids sharp burrs at the rivet head
- Cheek parts and sheaves made of stainless steel
- Extremely compact shape
- Easy fixing by means of bolts and rings
- Especially suitable for kicking strap, jigger or trimming lines
- For wire and Dyneema
- Low weight
- Made in Germany
- Excellent price/performance ratio

AT A GLANCE

187 kg
Working load

750 kg
Breaking load

Stainless steel ball bearing

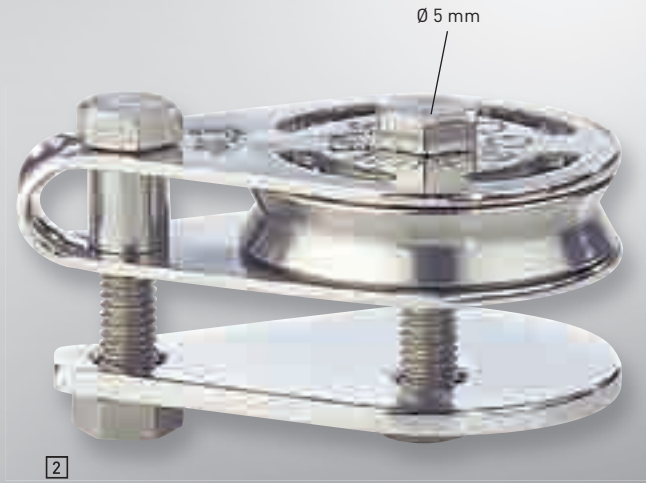
Bow detachable

3-5 mm
max. Ø

Self service card

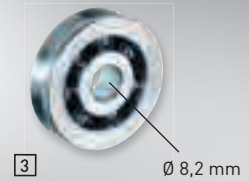
Stainless steel

ARTICLE	Diameter of the sheave (mm)	Ø Wire (mm)	Ø Rope (mm)	L1 (mm)	L2 (mm)	B1 (mm)	B2 (mm)	H1 (mm)	Ø (mm)	Weight (gr)	ARTICLE NO.
1 1 sheave, bow	25 x 6	3	5	56	-	26	-	-	-	37	35300 650 55
2 Cheek block, 1 sheave, 2 hollow axles	25 x 6	3	5	45	25	26	-	-	5	29	35308 650 55
3 Upright block	25 x 6	3	5	25	16	36	27	35	4	38	35309 650 55
4 2 sheaves, bow	25 x 6	3	5	56	-	26	-	-	-	62	35302 650 55
5 2 sheaves, bow, becket	25 x 6	3	5	74	-	26	-	-	-	71	35303 650 55
6 3 sheaves, bow	25 x 6	3	5	56	-	26	-	-	-	87	35304 650 55
7 3 sheaves, bow, becket	25 x 6	3	5	74	-	26	-	-	-	95	35305 650 55
8 Ball bearing sheave	25 x 6	3	5	-	-	25	-	-	6	14	30945 000 55
9 Suitable swivel										11	35985 010 55
10 Suitable spring										10	34995 004 55



High load blocks are especially suitable for wire and Dyneema.

SUITABLE ACCESSORIES



High load blocks 38 mm

- Smooth-running ball bearing made of stainless steel
- Wobble riveting avoids sharp burrs at the rivet head
- Cheek parts and sheaves made of stainless steel
- Extremely compact shape
- For wire and Dyneema
- Especially suitable for kicking strap, jigger or trimming lines
- Low weight
- Made in Germany
- Excellent price/performance ratio

ARTICLE	Diameter of the sheave (mm)	Ø Wire (mm)	Ø Rope (mm)	L1 (mm)	L2 (mm)	B1 (mm)	Ø (mm)	Weight (gr)	ARTICLE NO.
1 1 sheave, through-bow	38 x 8	4	6	61	31	38	-	84	35340 650 55
2 Cheek block with hollow axle screws not included in delivery	38 x 8	4	6	61	31	38	5	115	35341 650 55
3 Ball bearing sheave	38 x 8	4	6	-	-	-	8.2	50	30946 000 55

AT A GLANCE

250 kg

Working load

1,000 kg

Breaking load

Stainless steel ball bearing

4-6 mm

Rope-Ø

Self service card


Stainless steel




Complete tackles

- Tackles are composed of high quality components
»Made in Germany«
- Optionally needle bearing, sliding bearing or ball bearing
- Wobble riveting avoids sharp burrs at the rivet head
- German quality rope
- Professionally spliced
- Cheek parts of high quality UV-resistant plastic, stainless steel or seawater-resistant aluminum, anodised
- Sheaves of high quality UV-resistant plastic
- Delivery in a practicable reclosable bag
- Excellent price/performance ratio
- Made in Germany


AT A GLANCE



Sliding Bearing




Ball Bearing




Needle Bearing

6-12 mm

Rope Ø



Self service card

ARTICLE	Bearing	Rope Ø (mm)	Length working (m)	Safety load (kg)	Breaking load (kg)	Article no. blocks	Weight (gr)	ARTICLE NO.
1 10 mm main sheet tackle		10	15	560	1,400	35657 492 00 35656 302 55	1,500	35180 415 00
2 12 mm main sheet tackle		12	20	560	1,400	35657 492 00 35656 302 55	2,550	35182 420 00
3 10 mm main sheet tackle		10	15	560	1,400	35657 292 00 35656 102 55	1,500	35181 215 00
4 12 mm main sheet tackle		12	20	560	1,400	35657 292 00 35656 102 55	2,550	35183 220 00

SLIDING BEARING



SLIDING BEARING

BALL BEARING



BALL BEARING



BAG FOR MAIN SHEET TACKLE



MESH BAG FOR DOWNHAUL TACKLE



PRACTICAL PACKAGING:

- Main sheet tackle in SPRENGER-bags with carrying handle and zipper
- Downhaul tackle in a handy mesh bag for storing

ARTICLE	Bearing	Rope Ø (mm)	Length (m)	Safety working load (kg)	Breaking load (kg)	Article no. blocks	Weight (gr)	ARTICLE NO.
5 6 mm downhaul tackle stainless steel		6	5	200	800	35123 001 55 35021 001 55	351	35185 005 55
6 6 mm downhaul tackle aluminum		6	5	112	450	35121 001 54 35122 001 54	274	35184 005 54
7 6 mm downhaul tackle stainless steel		6	5	175	700	35120 001 55 35065 010 55	267	35186 005 55
8 6 mm downhaul tackle stainless steel		6	5	112	450	35317 600 55 35322 600 55	276	35187 005 55

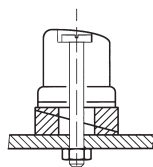


SUITABLE ACCESSORIES

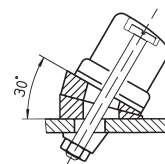


Camlan® cam cleats 3 - 6 mm

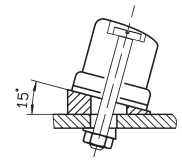
- High quality Camlan®
 - abrasion and wear resistant
 - temperature and saltwater resistant
- Easy rope entry and release
- Spring: stainless steel
- Complete range of accessories



2 wedges mounted above each other, against each other = plain socket



2 wedges mounted above each other, in the same direction = 30°



1 wedge = 15°

AT A GLANCE



3-6 mm
Rope Ø

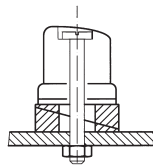


ARTICLE	Rope Ø (mm)	Material cams/accessories	Material groundplate	(gr)	ARTICLE NO.
1 Cam cleat Camlan® HT08	3 - 6	Camlan®	PA	21	36695 008 63
2 Cam cleat Camlan® HT08 with special lead	3 - 6	Camlan®	PA	37	36698 008 63
3 Cam cleat complete HT08 with lead <u>in front of</u> the cleat	3 - 6	Camlan®	PA	29	36696 008 63
4 Cam cleat HT08 with stainless steel groundplate and rope lead	3 - 6	Camlan®	Stainless steel	43	36695 908 63
5 Special rope lead stainless steel with ground plate and washers	3 - 6	Stainless steel	PA	20	36687 008 63
6 Wedge 15° plastic black 1 Set = 2 pcs. on cards	3 - 6	PA	-	15	36683 008 00
7 Bow over the cleat stainless steel 1 Set = 2 pcs. on cards	3 - 6	Stainless steel	-	14	36681 008 55
8 Rope lead in front of the cleat with ground plate	3 - 6	PA / Stainless steel	-	13	36688 008 63

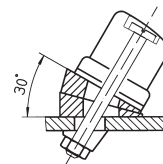


Camlan® cam cleats 8-13 mm

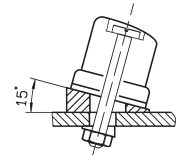
- High quality Camlan®
 - abrasion and wear resistant
 - temperature and saltwater resistant
- Easy rope entry and release
- Spring: stainless steel
- Complete range of accessories



2 wedges mounted above each other, against each other = plain socket



2 wedges mounted above each other, in the same direction = 30°

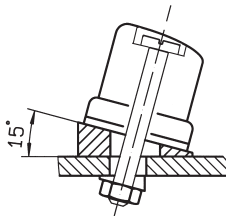
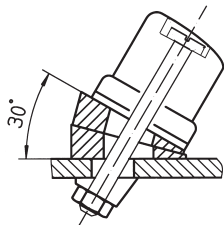
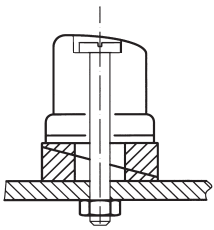
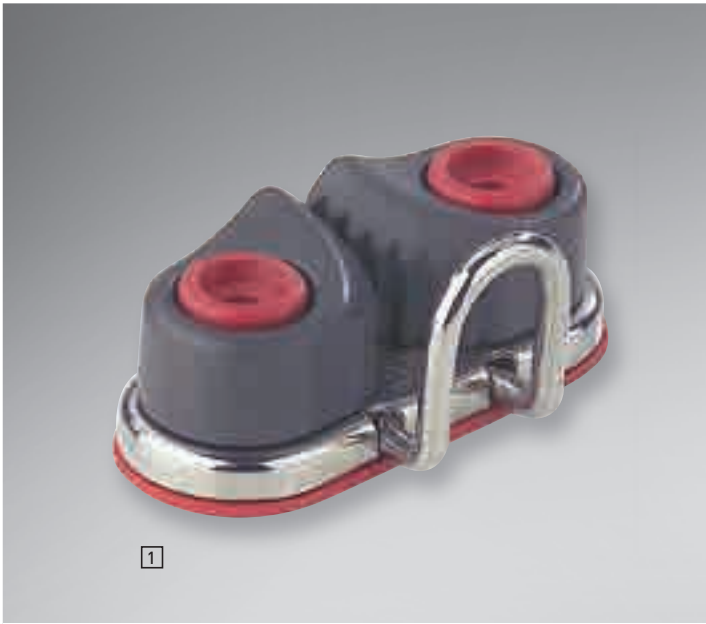


1 wedge = 15°

ARTICLE	Rope Ø (mm)	Material cams/accessories	Material groundplate	Weight (gr)	ARTICLE NO.
1 Cam cleat Camlan® HT13	8 - 13	Camlan®	PA	43	36695 013 63
2 Cam cleat Camlan® HT13 with special lead	8 - 13	Camlan®/ Stainless steel	PA	83	36698 013 63
3 Cam cleat complete HT13 with lead in front of the cleat	8 - 13	Camlan®/ Stainless steel	PA	69	36696 013 63
4 Cam cleat HT13 with stainless steel groundplate and rope lead	8 - 13	Camlan®/ Stainless steel	Stainless steel	85	36695 913 63
5 Special rope lead stainless steel with ground plate and washers	8 - 13	Stainless steel	PA	42	36687 013 63
6 Wedge 15° plastic black 1 Set = 2 pcs. on cards	8 - 13	PA	-	23	36683 013 00
7 Bow over the cleat stainless steel 1 Set = 2 pcs. on cards	8 - 13	Stainless steel	-	18	36684 013 55
8 Rope lead in front of the cleat with ground plate	8 - 13	PA / Stainless steel	-	28	36688 013 63

AT A GLANCE

- Plastic Sliding Bearing
- 8-13 mm Rope Ø
- 40 mm Hole distance
- SPR Self service card
- Rost frei
Stainless steel



Needle bearing cam cleat 3 - 16 mm

AT A GLANCE



Stainless steel
Needle
Bearing

**3-16
mm**

Rope Ø

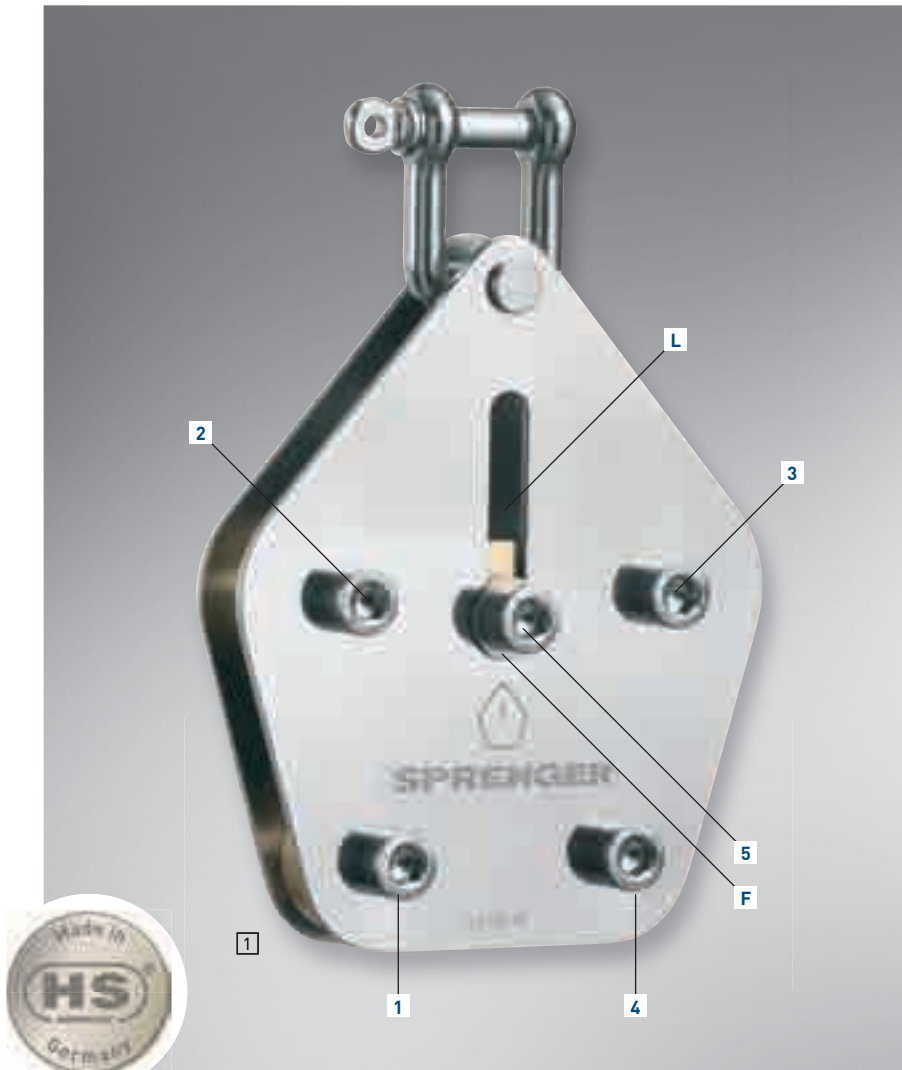


Self
service
card



Stainless
steel

ARTICLE	Rope Ø (mm)	Hole distance (mm)	Material cams/ accessories	Material ground-plate	(gr)	ARTICLE NO.
1 Cam cleat with aluminum-cams and stainless steel needle bearing	3 - 6	29	Aluminum,	Stainless steel	49	36685 008 54
	8 - 13	40	Stainless steel		98	36685 013 54
	13 - 16	51	steel		130	36685 016 54
2 Top mounting fairlead	3 - 6	-	Stainless steel		14	36681 008 55
	8 - 13	-			16	36681 013 55
	13 - 16	-			25	36681 016 55
3 Wedge 15° Plastic black, 1 set = 2 pcs. on card	3 - 6	-	PA		15	36683 008 00
	8 - 13	-	PA		23	36683 013 00
	13 - 16	-	PA		38	36683 016 00



The new boom brake rewards by its very solid type without removable parts. It has 5 fixed sheaves, which are arranged between 2 case plates. The sheaves 1, 2, 3 and 4 are fixly screwed.



Boom brake

- Safety on running's
- Safety when jibing
- Defusion of the situation at accidental gybe
- Cage: stainless steel
- Sheaves: brass


The sheave no. 5 is also a fix sheave, but it can be infinitely moved in the slot of the case plates from the upper position „L” to the lower position „F”. The sheave can then be fixed in each possible position. By this a continuous adjustment of the wrap angle around the sheaves 2, 3 and 5 and thereby the friction and a stepless adjustment of the ground-brake efficiency is achieved. By sheave no. 5 this is usually adjusted once. With the tension of the braking rope the braking effect can be increased up to complete blocking (lazy guy function). By light releasing of the tension the brake can be carefully disconnected.

The braking rope is fixed on both sides of the boat on height of the shrouds, e.g. on the chain plates with a 3-4 fold tackle. The free ends of the tackle are led inside the cockpit, from where on each sides the tension of the brake rope and thereby the braking effect can be adjusted.


If the braking effect has to be changed, it is reached by increase or decrease of the rope tension. If the tall boom should be free-moving, this is reached by complete release of the braking rope tension.

ARTICLE	To ... feet	Rope-Ø (mm)	(gr)	ARTICLE NO.
1 Boom brake	40	12	716	37680 012 55
	more than 40	16	1,395	37680 016 55
	-	20	3,645	37680 020 55

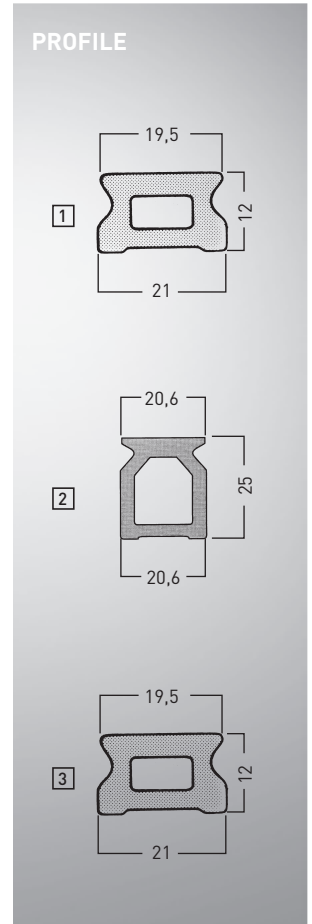
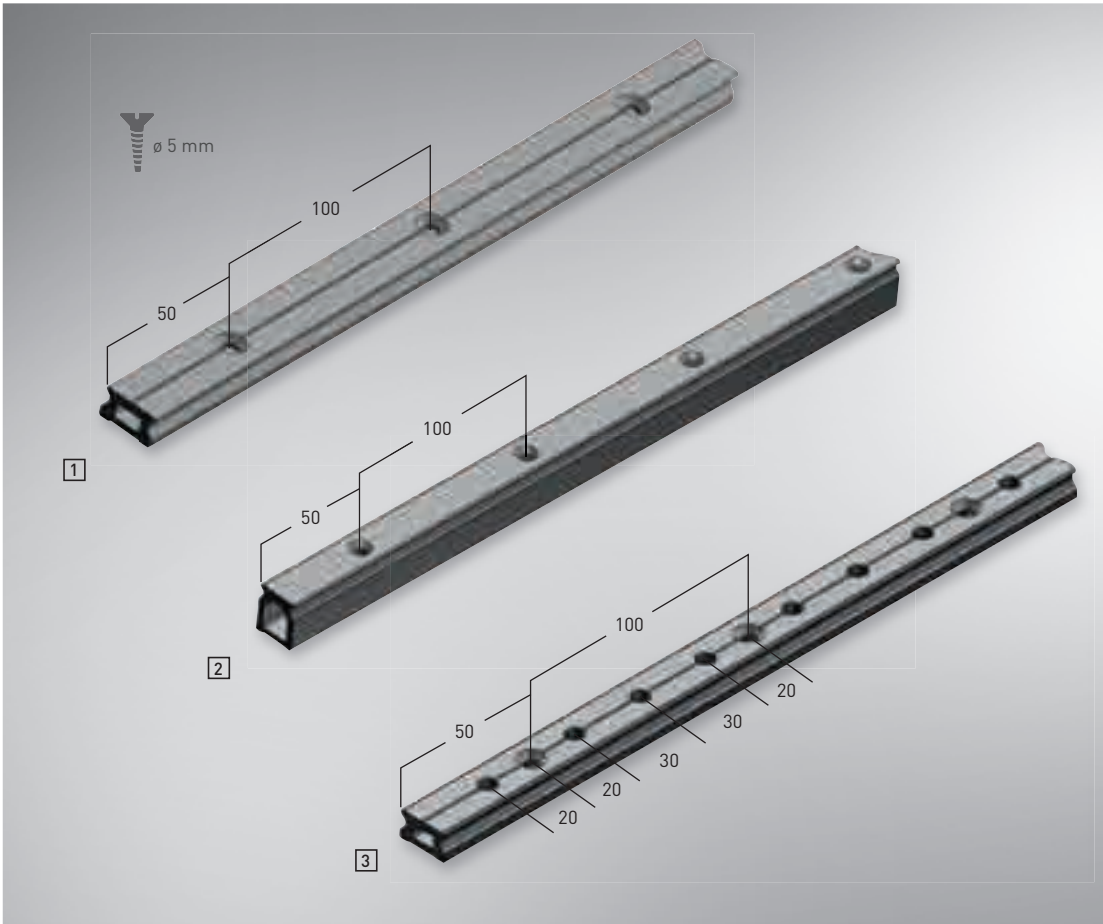
AT A GLANCE



Plastic Sliding Bearing



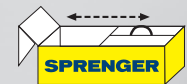
Stainless steel



Traveller track

ARTICLE	Length (cm)	Height (mm)	Width (mm)	ARTICLE NO.
1 Track, flat Aluminum hard coated, weight 0,450 kg/m mounting on deck or shimmed	100	12	21	38260 100 52
	110			38260 110 52
	120			38260 120 52
	132			38260 132 52
	150			38260 150 52
	180	38260 180 52		
2 Track, high Aluminum hard coated, weight 0,720 kg/m mounting on deck or shimmed	120	25	20.6	38290 120 52
	132			38290 132 52
	150			38290 150 52
	180			38290 180 52
3 Track, flat similar to 38260, but with additional holes	100	12	21	38270 100 52
	120			38270 120 52
	132			38270 132 52
	150			38270 150 52
	180			38270 180 52
4 End caps (pair), rubber black	-	-	-	38268 000 63
5 Stop with pull button, aluminum hard coated	-	-	-	38259 000 52

SERVICE



- Special delivery from a track length of 120 cm

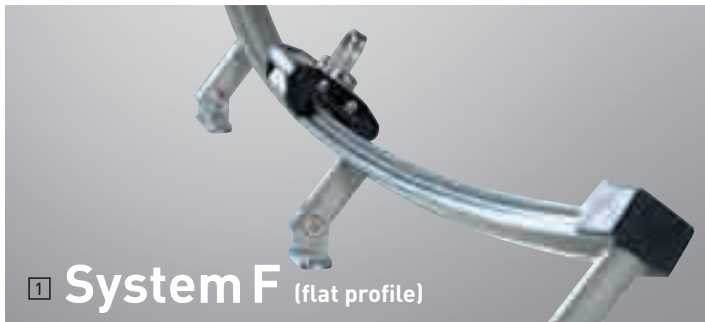
▼

Special lengths are possible on request.

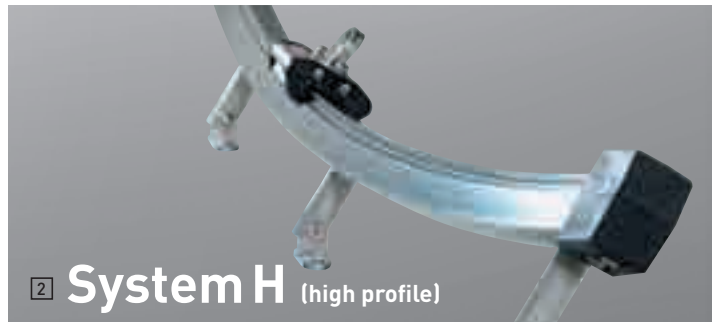


Especially suitable for boat class:

- F 18
- Hobie Tiger

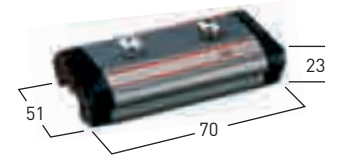


1 System F (flat profile)



2 System H (high profile)

Self-tacking-jib-set



ARTICLE	Especially suitable for	Jib size	ARTICLE NO.
<p>1 Self-tacking-jib-set system F, consisting of:</p> <ul style="list-style-type: none"> • 1 bent traveller track 38260, approx. 120 cm long, flat profile, aluminum hard coated, with bore holes • complete with 4 aluminum anodised feet (2 short, 2 long) • 1 pair rubber end caps 38268 000 63 • 1 traveller 38250 002 52 • 4 flat headed screws M5x16 • 4 countersunk screws DIN 965 M5x35 	F 18, Hobie Tiger	up to 4,5 m ²	38275 001 00
<p>2 Self-tacking-jib-set system H see (1), but with track 38290 (high profile)</p>	F 18, Hobie Tiger	up to 6,5 m ²	38275 002 00

AT A GLANCE

175
kg

Safety working load

700
kg

Breaking load



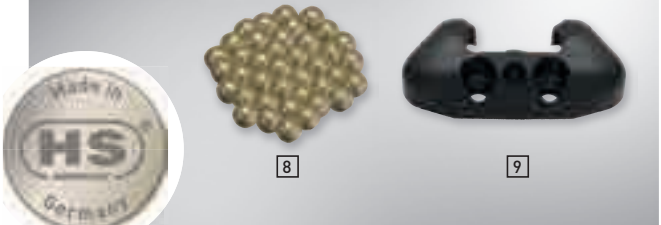
Self service card

GENOA TRACKS AND CARS



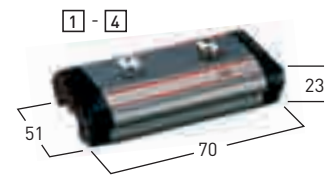
GENOA TRACKS AND CARS

SUITABLE ACCESSORIES



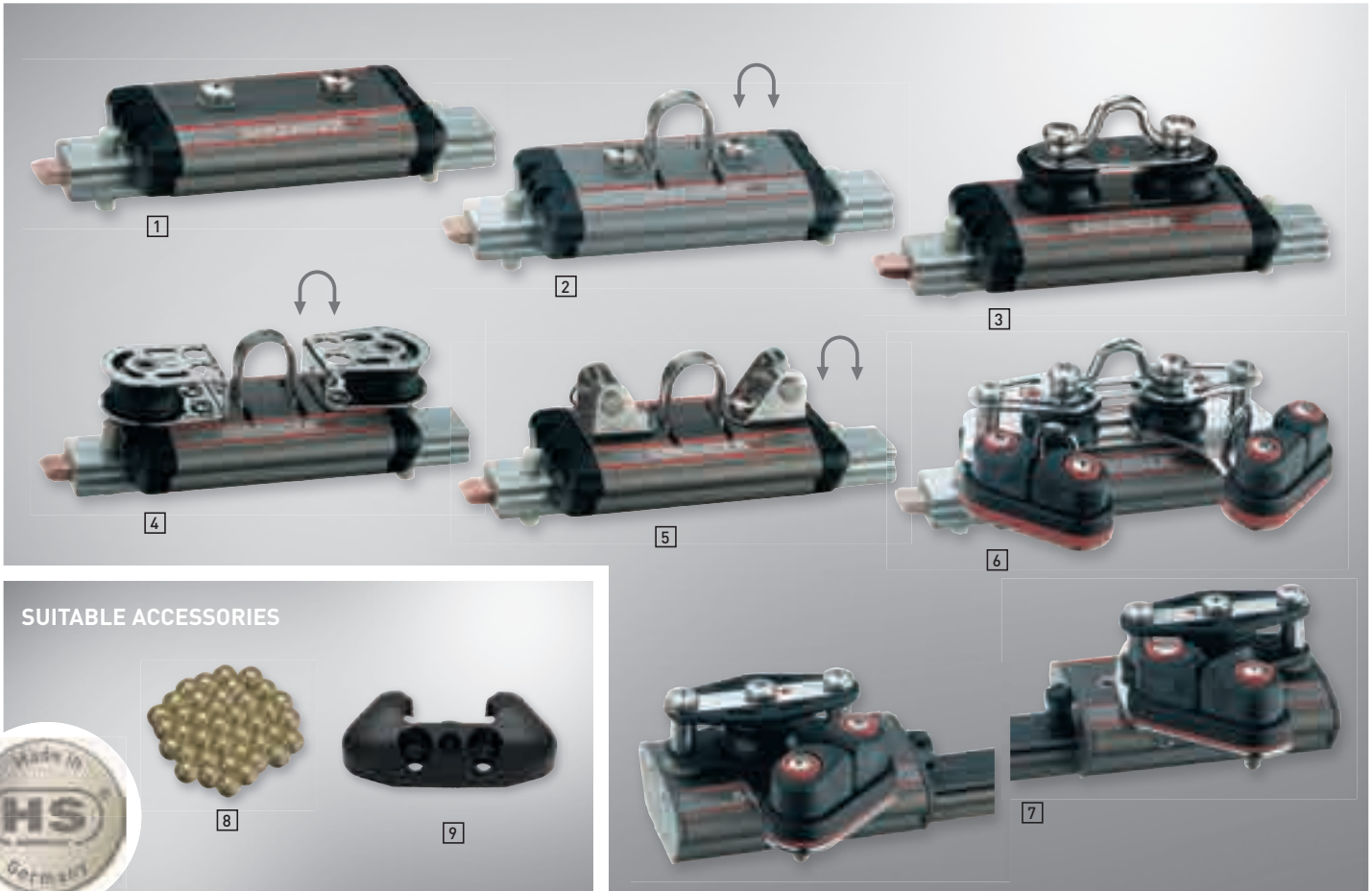
Traveller Boat Runner XS - S

- Traveller: aluminum, hard coated
- Ball bearing: Balls made of Torlon
 - abrasion and wear resistant
 - temperature resistant
- End caps: high quality plastic
- Metal parts: stainless steel
- With parking track



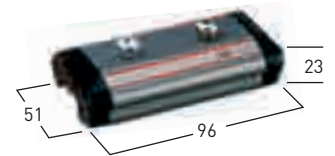
AT A GLANCE		ARTICLE	ARTICLE NO.
175 kg	700 kg	1 Traveller S	38250 000 52
	12-15	2 Traveller S, with moveable bow	38250 002 52
		3 Traveller S, with two sheaves and fix bow	38250 001 52
		4 Traveller S, with U-part, bolt and ring	38250 003 52
		5 Traveller coupling, stainless steel	38251 000 55
		6 Traveller XS, with lead eye slide length 63 mm	38252 001 52*
		7 Traveller control system (pair) with ball bearing sheave	38272 000 52
		8 Torlon replacement balls Ø 6.35 mm for traveller slides order quantity for one traveller (38250, 38252) = 42 pcs.	17501
		9 Replacement cap for traveller slide 38250 / 38255	14743

Traveller S, short (70 mm)
Minimum bending radiuses:
 horizontal: radius minimum = 1,650 mm
 vertical, ends high: radius minimum = 1,300 mm
 vertical, ends low: radius minimum = 1,800 mm



Traveller Boat Runner L

- Traveller: aluminum, hard coated
- Ball bearing: Balls made of Torton
 - abrasion and wear resistant
 - temperature resistant
- End caps: high quality plastic
- Metal parts: stainless steel
- With parking track



GENOA TRACKS AND CARS

ARTICLE	ARTICLE NO.
1 Traveller L	38255 000 52
2 Traveller L, with moveable bow	38255 002 52
3 Traveller L, with two sheaves and fix bow	38255 001 52
4 Traveller L, with two mounted blocks	38255 009 52
5 Traveller L, with U-part, bolt and ring	38255 003 52
6 Traveller L, with cheek block and cam cleat	38255 005 52
7 Traveller control system (pair) with ball bearing sheave and cam cleat	38271 000 52
8 Torton replacement balls Ø 6.35 mm for traveller slides order quantity for one traveller (38255) = 58 pcs.	17501
9 Replacement cap for traveller slide 38250 / 38255	14743

AT A GLANCE

300 kg

Safety working load

1,200 kg

Breaking load

Torton Ball Bearing

15-18

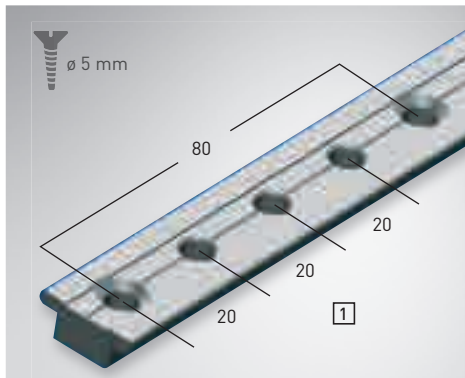
Sail area in m²

Self service card

Stainless steel

Traveller L, long (96 mm)
 minimum bending radiuses:
 horizontal: radius minimum = 2,000 mm
 vertical, ends high: radius minimum = 3,700 mm
 vertical, ends low: radius minimum = 3,200 mm

Mounting example:
 Conversion 2:1



Aluminum t-tracks 20 x 3 are available in the following lengths:

- 35455 . . . 54
- 030 = 30 cm
 - 040 = 40 cm
 - 050 = 50 cm
 - 100 = 100 cm
 - 150 = 150 cm
 - 200 = 200 cm

Special lengths up to 3 m are possible on request.

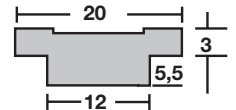


TRACKS & SLIDES

Tracks & slides 20 x 3 mm

- Seawater-resistant aluminum, anodised and stainless steel
- Suitable for boats with 7 m LOA
- Genua slides manufactured of an extruded section, i.e.
 - High accuracy grade

- High consistency
- No air inclusions
- Fork part of the genua slide with rubber wedge, to avoid pitching on deck
- Large range of different track lengths and slide types



AT A GLANCE

7 m
max. LOA

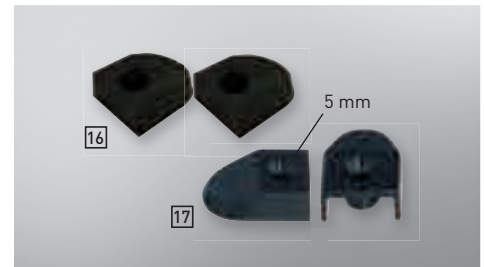
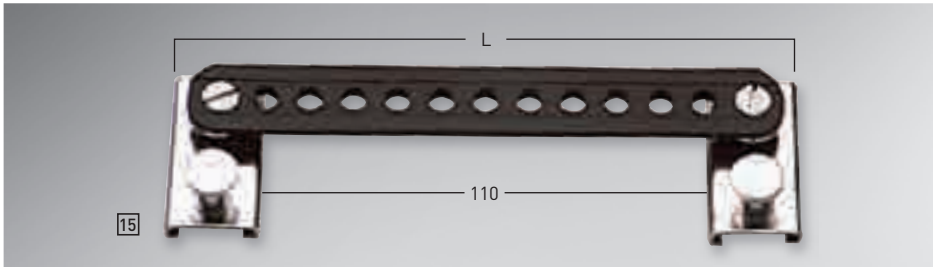
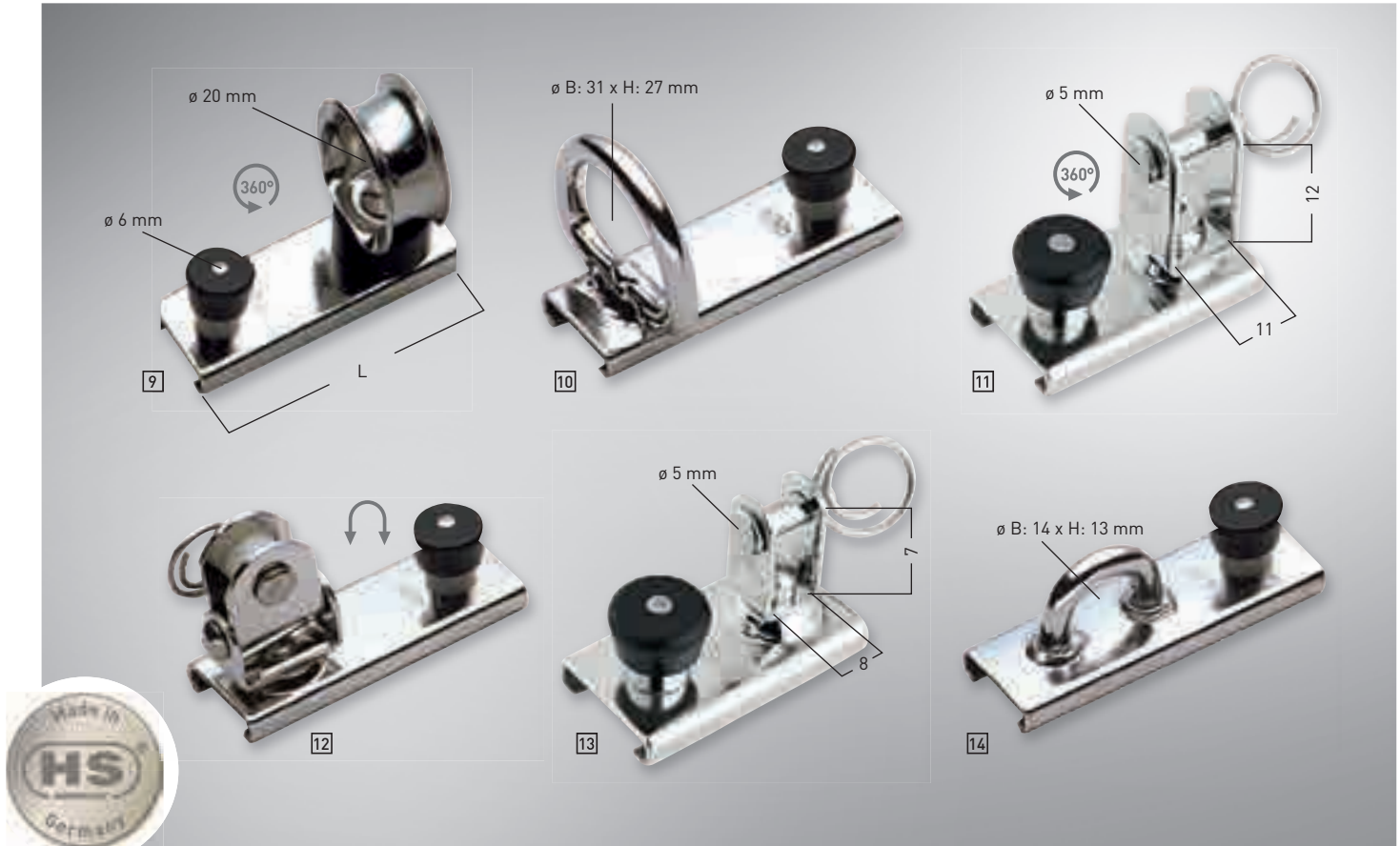
Rostfrei
Stainless steel

SPF
Self service card

SERVICE

- Special delivery from a track length of 120 cm

ARTICLE	Bearing	Length (mm)	Specifics	ARTICLE NO.
1 T-track 20 x 3 mm		300 - 2,000	please state length	35455 . . . 54
2 Genua slide »cockpit adjustment« aluminum silver (anodised), plastic sheave, bolt made of stainless steel with mounted shackle, rotatable sheave	☉	80	for 6 mm rope	35460 020 54
3 End piece for genua slide »cockpit adjustment« with mounted midi-block, aluminum	☉	90	mountable with socket screw M6 without drilling	35461 020 54
4 Genua slide aluminum silver (anodised), sheave plastic	☉	65	loose sheave no. 17328	35458 200 54
5 Genua slide aluminum black (anodised), sheave plastic	☉	65	loose sheave no. 17328	35458 200 53
6 Slide with block welded strap, with mounted spring	⊗	65	for 12 mm rope	35570 020 55
7 Slide with block cheek parts made of stainless steel, welded strap, for rope 12 mm, sheave plastic with mounted spring	☉	65	block with strap no. 16816 loose slide no. 17810	35571 020 55
8 Slide with block see 7, but simple / basic version with welded strap	☉	65	loose slide no. 17816	35575 020 55



ARTICLE	Safety working load (kg)	Breaking load (kg)	Length (mm)	ARTICLE NO.
9 Slide with rotatable rope guide stainless steel	-	-	65	35565 020 55
10 Slide with bow across stainless steel	125	500 (straight load)	65	35531 020 55
11 Slide with swivel, stainless steel	-	-	65	35558 020 55
12 Slide for winch blocks 35240 stainless steel	-	-	65	35245 001 55
13 Slide with swivel stainless steel, with U-part suitable for spray hood fittings 32604	-	-	45	35560 020 55
14 Slide with bow bow longitudinal, stainless steel	-	-	65	35522 020 55
15 Double slide stainless steel connection track made of seawater-resistant aluminum, black (anodised)	-	-	157	35550 000 55
16 End piece, 1 pair plastic black, for mounting in front of the track	-	-	-	35459 020 63
17 End piece, 1 pair plastic black, for sliding on	-	-	-	35471 020 63

AT A GLANCE

7 m
max. LOA

Rostfrei
Stainless steel

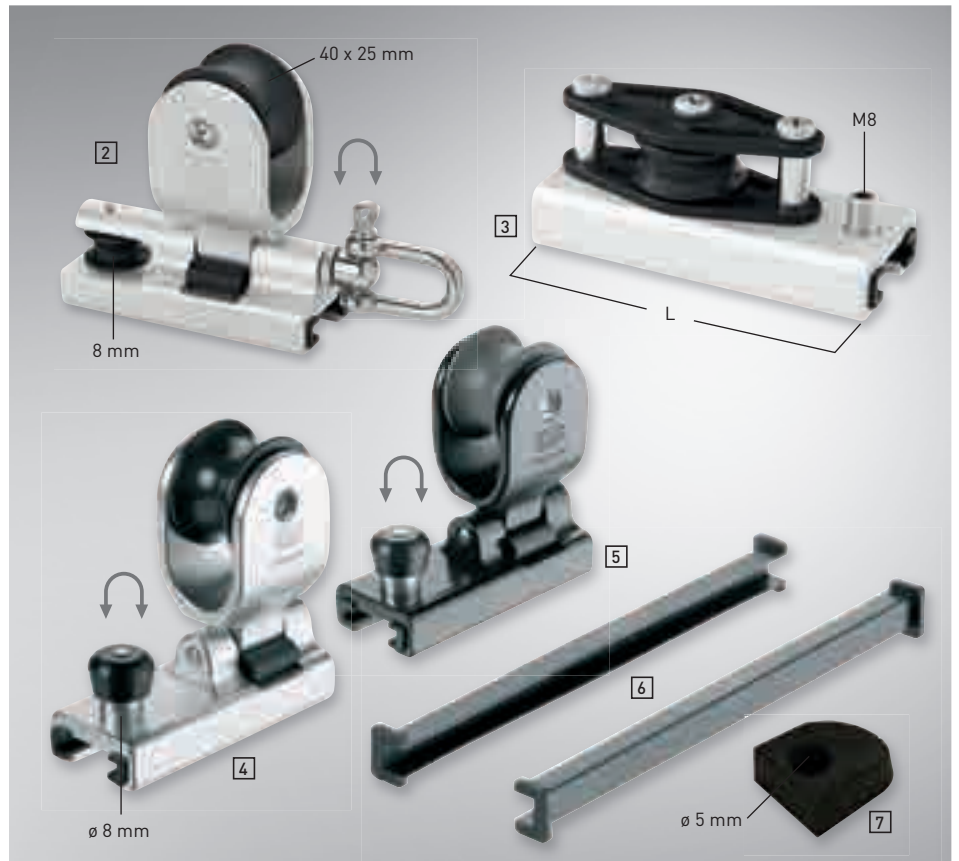
SPR
Self service card



Aluminum t-tracks 25 x 4 are available in the following lengths:

- 1,000 mm
- 1,500 mm
- 2,000 mm
- 2,500 mm

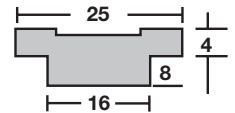
Special lengths up to 3 m are possible on request.



Tracks & slides 25 x 4 mm

- Seawater-resistant aluminum, anodised and stainless steel
- Suitable for boats with 9 m LOA
- Genua slides manufactured of an extruded section, i.e.
 - High accuracy grade
 - High consistency
 - No air inclusions

- Genua slide equipped with plastic sliding shoes: noise reduction, increased sliding ability, material preservation, optimal running!
- Fork part of the genua slide with rubber wedge, to avoid pitching on deck
- Large range of different track lengths and slide types



AT A GLANCE

Sliding Bearing

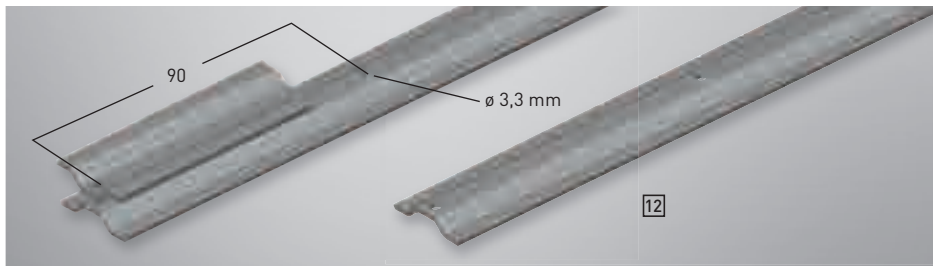
Ball Bearing

9 m
max. LOA

Self service card

Stainless steel

ARTICLE	Bearing	Length (mm)	Specifics	ARTICLE NO.
1 T-track 25 x 4 mm seawater-resistant aluminum, silver, anodised	-	1,000	-	35457 100 54
		1,500		35457 150 54
		2,000		35457 200 54
		2,500		35457 250 54
2 Genua slide »cockpit adjustment« with sliding shoe, aluminum silver anodised, plastic sheave, bolt stainless steel with mounted shackle, rotatable sheave, preserves of pitching on deck	⊙	88	-	35460 025 54
3 End piece for genua slide »cockpit adjustment« mountable with allen wrench without drilling with mounted midi-block with sliding bearing	⊙	90	-	35461 025 54
4 Genua slide silver anodised with sliding shoe, sheave aluminum	⊙	88	loose sheave 17062	35458 250 54
5 Genua slide black anodised with sliding shoe, sheave aluminum	⊙	88	loose sheave 17062	35458 250 53
6 Sliding shoe	-	88	suitable for 35458 250 54 35458 250 53	14808
7 End piece, 1 pair plastic black, mounting in front of the track	-	-	-	35459 025 63



ARTICLE	Bearing	Length (mm)	Inner width (mm)	Width (mm)	Specifics	ARTICLE NO.
8 Slide with ball bearing block, for 12 mm rope, welded strap with mounted spring		65	-	-	for rope 12 mm	35570 025 55
9 Slide for spray hoods stainless steel, with swivel	-	65	-	-	suitable for T-profile track 25 x 4 35457	35558 025 55
10 Slide with bow stainless steel, bow longitudinal	-	65	-	-	suitable for T-profile track 25 x 4 35458	35522 025 55
11 Slide for spray hoods stainless steel, welded nut M8 and counter nut, fork part	-	65	-	-	suitable for T-profile track 25 x 4 35459	35528 025 55
12 Mast track stainless steel, profile track, length: 5 m	-	5,000	-	18	material strength 1.5 mm	36511 018 55
		5,000		22		36511 022 55
		5,000		27		36511 027 55
13 Mast slides stainless steel, suitable for mast track 36511	-	-	19	-	suitable for mast track	36501 019 55
			23		36511 022 55	36501 023 55
			28		36511 027 55	36501 028 55

SERVICE



- Special delivery from a track length of 120 cm



Aluminum t-tracks 32 x 6 are available in the following lengths:

- 1,000 mm
- 1,500 mm
- 2,000 mm

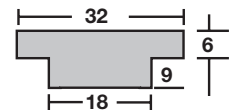
Special lengths up to 6 m are possible on request.



Tracks & slides 32 x 6 mm

- Seawater-resistant aluminum, anodised
- Suitable for boats until 12 m LOA
- Genua slides manufactured of an extruded section, i.e.
 - high accuracy grade
 - high consistency
 - no air inclusions

- Genua slide equipped with plastic sliding shoes: noise reduction, increased sliding ability, material preservation, optimal running!
- Fork part of the genua slide with rubber wedge to avoid pitching on deck
- Large range of different track lengths (up to 6 m)

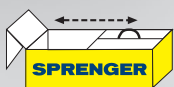


TRACKS & SLIDES

AT A GLANCE



SERVICE



- Special delivery from a track length of 120 cm

ARTICLE	Bearing	Length (mm)	Specifics	ARTICLE NO.
1 T-track 32 x 6 mm seawater-resistant aluminum, silver, anodised	-	1,000	-	35452 100 54
	-	1,500	-	35452 150 54
	-	2,000	-	35452 200 54
2 Genua slide silver anodised with sliding shoes, sheave aluminum	☉	110	Loose sheave 17090	35458 320 54
3 Genua slide black anodised with sliding shoes, sheave aluminum	☉	110	Loose sheave 17090	35458 320 53
4 Sliding shoe plastic black	-	-	2 x 14809 are needed for one slide	14809
5 End piece, 1 pair plastic black, mounted in front of the track	-	-	-	35459 032 63



SPRENGER – OUR PASSION:

»The sound of the ocean waves, the gliding in the wind, the incredible feeling of freedom – this is our motivation.«





Tiller extensions – fix

- Fix length of 60 cm to 140 cm
- Seawater-resistant aluminum, silver (anodized) or black (powder-coated)
- Light weight
- Handle of smooth and light caoutchouc
- Fix joint (stainless steel)
- Detachable joint (rubber with rope)
- Made in Germany

AT A GLANCE

16 mm

Tube Ø



Self service card



Stainless steel

SERVICE



- Special delivery from a length of 120 cm

ARTICLE	Length (cm)	ARTICLE NO.
1 Tiller extension (silver) with cell caoutchouc handle, joint: stainless steel, fix	60	38860 060 54
	75	38860 075 54
	90	38860 090 54
	100	38860 100 54
	110	38860 110 54
	120	38860 120 54
2 Tiller extension (silver) with cell caoutchouc handle, joint: rubber with rope, detachable	60	38883 060 54
	75	38883 075 54
	90	38883 090 54
	100	38883 100 54
	110	38883 110 54
	120	38883 120 54
3 Tiller extension (black) with cell caoutchouc handle, joint: rubber with rope, detachable	60	38884 060 59
	75	38884 075 59
	90	38884 090 59
	100	38884 100 59
	110	38884 110 59
	125	38884 125 59
	140	38884 140 59
4 Tiller extension (black) with cell caoutchouc handle joint: rubber with rope, detachable, including magnet, with mount	60	38884 069 59
	80	38884 089 59
5 Carbon tiller extension (black) made of four wound layers of high-quality carbon, joint: rubber with rope, detachable	60	38880 060 00
	75	38880 075 00
	90	38880 090 00
	100	38880 100 00
	110	38880 110 00
	125	38880 125 00
	140	38880 140 00



Tiller extensions – telescopic

- Telescopic lengths from 60 cm to 230 cm
- Seawater-resistant aluminum, silver (anodized)
- Light weight
- Handle of smooth and very light caoutchouc
- Fix joint (stainless steel)
- Detachable joint (rubber with rope)
- Made in Germany

ARTICLE	Tube Ø (mm)	Length (cm)	ARTICLE NO.
1 Telescopic tiller extension with cell caoutchouc handle, joint: stainless steel, fix	19 (outside tube), 16 (inside tube)	70 - 100	38865 070 54
		90 - 140	38865 090 54
		110 - 180	38865 110 54
		150 - 230	38865 150 54
2 Telescopic tiller extension with cell caoutchouc handle, joint: rubber with rope, detachable	19	70 - 100	38867 070 54
		90 - 140	38867 090 54
		110 - 180	38867 110 54
		150 - 230	38867 150 54
3 Telescopic tiller extension, lockable joint: stainless steel, fix	19	60 - 90	38868 060 54
		75 - 125	38868 075 54
		100 - 170	38868 100 54
4 WICHARD Tiller extension Ø 20 mm tube	20	70 - 100	38882 070 54
		80 - 120	38882 080 54

AT A GLANCE

19
mm

Tube Ø

SPR

Self service card

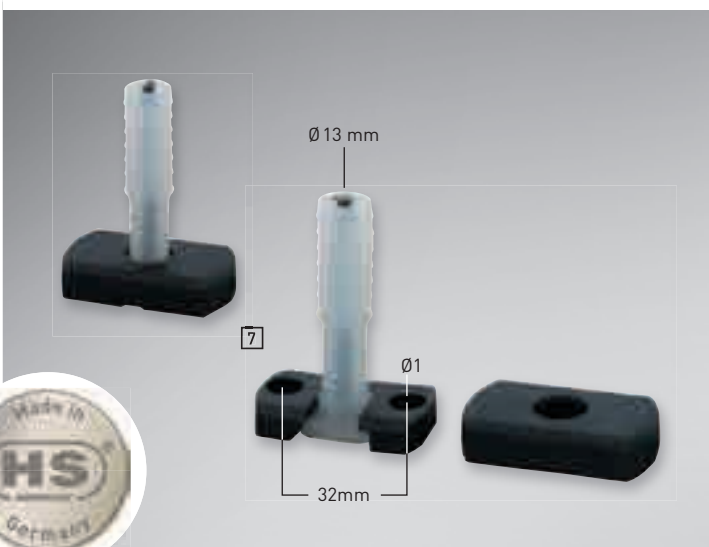
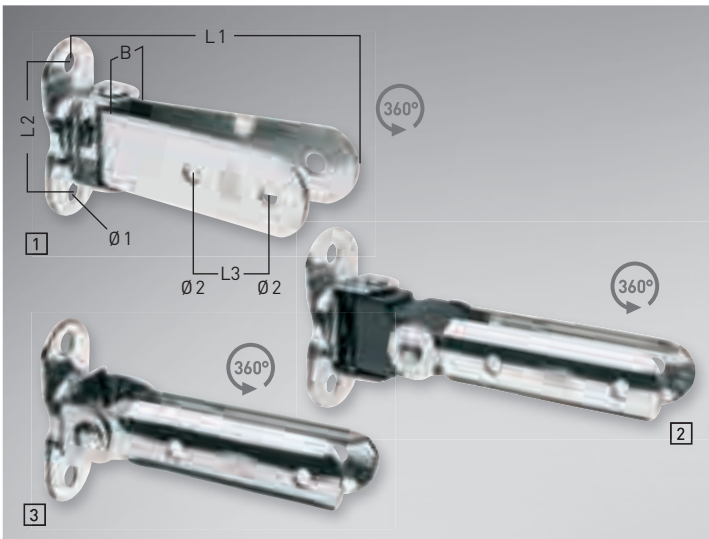
Rost
fret

Stainless steel

SERVICE

- Special delivery from a length of 120 cm

Article no. 3 By equipment with two mounted rings and one additional fixable cleat (will be delivered) the extension can be locked by its telescopic attribute in every demanded position.



Tiller extension fittings

TILLER EXTENSION

AT A GLANCE

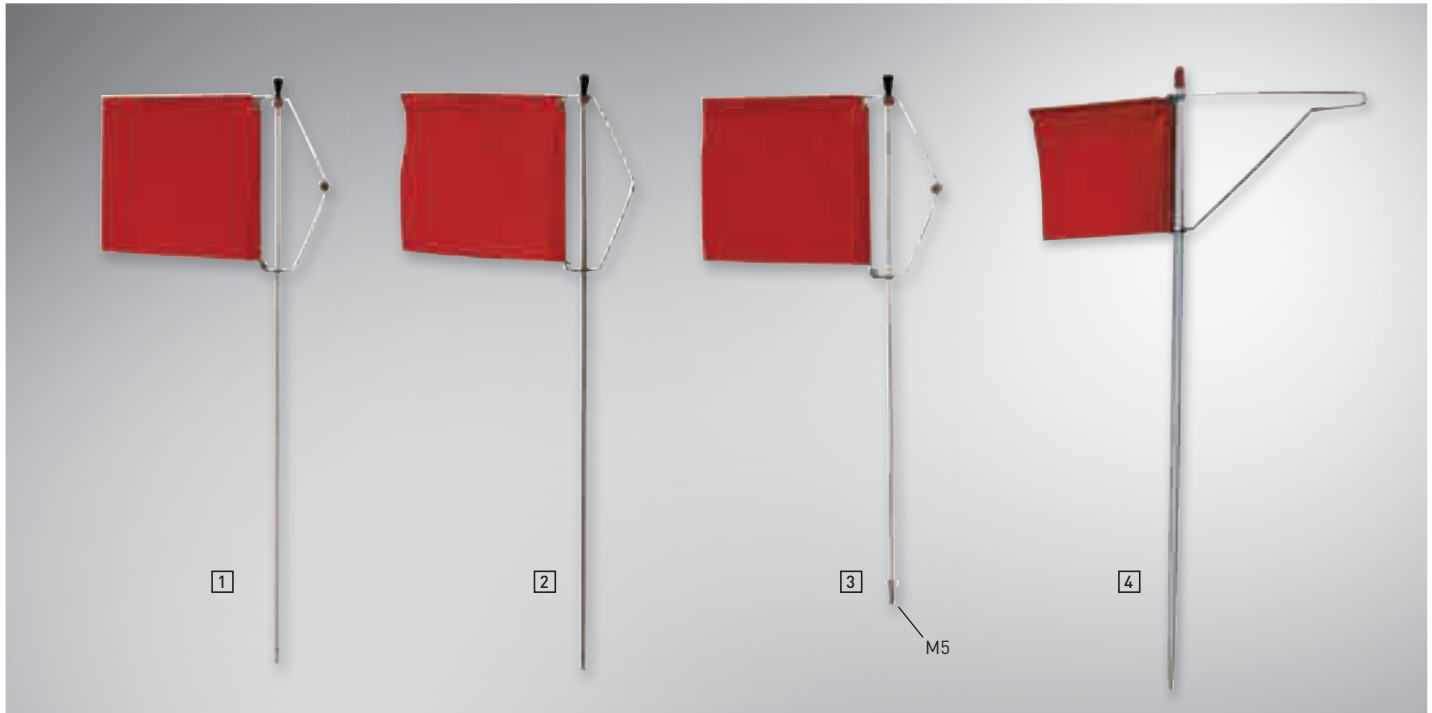


Self service card



Stainless steel

ARTICLE	Tube-Ø (mm)	L1 (mm)	L2 (mm)	L3 (mm)	B (mm)	Ø1 (mm)	Ø2 (mm)	ARTICLE NO.
1 Tiller connection with base plate, stainless steel	-	77	35	22	10	5	5	38850 000 55
2 Tiller connection with base plate and Kardan joint, stainless steel	16	102	35	35	16	5	4	38863 016 55
3 Tiller connection with base plate, stainless steel	16 19	83 83	35 35	35 35	16 19	5 5	4 4	38861 016 55 38861 019 55
4 Clip for tiller extension plastic (black), 1 set = 2 pcs	16	-	-	-	-	4	-	38855 016 63
5 Clip for tiller extension plastic (black), 1 set = 2 pcs	19	-	20	-	-	4	-	38855 018 63
6 WICHARD Tube clip plastic (black), suitable for 38882 ... 54	20	-	-	-	-	-	-	38858 020 63
7 Rubber joint (detachable) with rope inlay, incl. rivet 4 mm	16	-	32	-	-	5	-	38866 016 00
8 Cell caoutchouc handle very light and handy	16 16	for fix lengths – approx. 36 cm for telescopic – approx. 27 cm						38888 016 00 38888 017 00



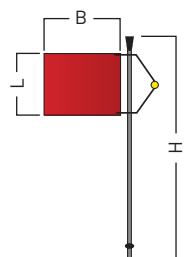
Wind indicators

- Manufactured of high quality sailing cloth and stainless steel

ARTICLE	L (mm)	L1 (mm)	B (mm)	H (mm)	Ø (mm)	ARTICLE NO.
1 Wind indicator with counter weight, without clip	100	-	150	370	-	38045 100 55
	125	-	170	370	-	38045 125 55
	150	-	190	370	-	38045 150 55
2 Wind indicator without counter weight, without clip	100	-	150	370	-	38035 100 55
	125	-	170	370	-	38035 125 55
	150	-	190	370	-	38035 150 55
3 Indicator with counter weight, with thread M5	100	-	150	330	-	38044 100 55
4 Wind indicator for optimists (no SPRENGER product)	75	-	130	390	-	38022 000 00
5 Wind indicator replacement spinnaker cloth, red	100	-	150	-	-	38060 100 00
	125	-	170	-	-	38060 125 00
	150	-	190	-	-	38060 150 00
6 Protest flag with velcro fastener	120	-	190	-	-	38050 001 00
	160	-	250	-	-	38050 002 00
7 Clip for wind indicator suitable for 38035 and 38045	75	42	10	-	3	38055 000 55

AT A GLANCE

Stainless steel





Shackles

AT A GLANCE



Self service card



Stainless steel

ARTICLE	Breaking load (kg)	D (mm)	L1 (mm)	B1 (mm)	B2 (mm)	ARTICLE NO.
1 Shackle cambered Stainless steel, forged	600	4	21	9	15	34600 904 56
	1,000	5	26	10	18	34600 905 56
	1,500	6	32	12	21	34600 906 56
	2,500	8	37	16	25	34600 908 56
	4,000	10	49	21	32	34600 910 56
	6,000	12	55	25	39	34600 912 56
2 Shackle cambered Stainless steel, forged	600	4	15	8	14	34600 004 56
	1,000	5	21	10	17	34600 005 56
	1,500	6	23	12	21	34600 006 56
	2,500	8	34	16	28	34600 008 56
	4,000	10	42	20	35	34600 010 56
	6,000	12	49	24	42	34600 012 56
3 Shackle straight Stainless steel, forged	600	4	17	8	-	34610 004 56
	1,000	5	19	10	-	34610 005 56
	1,500	6	24	12	-	34610 006 56
	2,500	8	32	16	-	34610 008 56
	4,000	10	40	20	-	34610 010 56
	6,000	12	47	24	-	34610 012 56
4 Shackle long Stainless steel, forged	480	4	30	8	-	34614 004 56
	750	5	37.5	10	-	34614 005 56
	1,100	6	45	12	-	34614 006 56
	1,800	8	60	16	-	34614 008 56
	3,000	10	75	20	-	34614 010 56
5 Shackle turned Stainless steel, forged	400	4	22	8	-	34619 004 56
	625	5	27.5	10	-	34619 005 56
	900	6	33	12	-	34619 006 56
	1,500	8	44	16	-	34619 008 56
	2,500	10	55	20	-	34619 010 56

ARTICLE	Breaking load (kg)	D (mm)	L1 (mm)	B1 (mm)	ARTICLE NO.
6 Shackle cambered with captive bolt, stainless steel, forged	1,000	5	21	10	34631 005 56
	1,500	6	23	12	34631 006 56
	2,500	8	34	16	34631 008 56
	4,000	10	42	20	34631 010 56
	6,000	12	49	24	34631 012 56
7 Shackle straight with captive bolt, stainless steel, forged	1,000	5	19	10	34632 005 56
	1,500	6	24	12	34632 006 56
	2,500	8	32	16	34632 008 56
	4,000	10	40	20	34632 010 56
	6,000	12	47	24	34632 012 56
8 Rope shackle double stainless steel, low weight with high breaking load	500	2.5	170	40	34010 002 00
	710	4	170	40	34010 004 00
	1,155	6	220	50	34010 006 00
	3,570	10	250	55	34010 010 00
	6,650	13	300	70	34010 013 00
	8,400	16	350	85	34010 016 00
9 Rope shackle stainless steel, low weight with high breaking load	900	4	170	40	34011 004 00
	2,000	6	220	50	34011 006 00
	4,250	10	250	55	34011 010 00
	7,000	13	300	70	34011 013 00
	10,000	16	350	85	34011 016 00
10 SPRENGER shackle key practical helper, incl. bottle opener and the possibility of loosening hexagon head screws (8, 10, 13 mm)					34695 000 55



Key shackles

ARTICLE		Safety working load (kg)	Breaking load (kg)	D (mm)	L (mm)	L1 (mm)	L2 (mm)	B1 (mm)	Wichard-no.	ARTICLE NO.
1	Key shackle without bar, AISI 316, stainless steel, cast	-	1,000	5	38	-	-	12	-	34625 005 56
		-	1,400	6	43	-	-	15	-	34625 006 56
		-	2,500	8	60	-	-	20	-	34625 008 56
2	Key shackle with bar, AISI 316, stainless steel, cast	-	1,000	5	38	21	11	13	-	34621 005 56
		-	1,400	6	43	23	14.5	15	-	34621 006 56
		-	2,500	8	60	32	21	20	-	34621 008 56
3	WICHARD key shackle with bar, stainless steel	500	1,200	5	-	21	12	13	81432	34621 005 55
		650	1,700	6	-	25	15	16	81433	34621 006 55
		1,000	2,500	8	-	34	20	21	81434	34621 008 55
4	WICHARD halyard shackle stainless steel with glass fiber enhanced polypropylene head	1,000	3,000	8	41	-	-	16	1494	34628 008 55
		1,520	5,000	10	51	-	-	20	1495	34628 010 55
5	WICHARD key shackle without bar, stainless steel	500	1,200	5	37	-	-	13	1432	34625 005 55
		650	1,700	6	44	-	-	16	1433	34625 006 55
		1,000	2,500	8	59	-	-	21	1434	34625 008 55
6	WICHARD shackle extra wide, stainless steel	256	1,100	5	36	-	-	20	1262	34615 005 55
		320	1,450	6	42	-	-	25.5	1263	34615 006 55
		768	2,700	8	57	-	-	32	1264	34615 008 55
		1,280	4,300	10	72	-	-	40	1265	34615 010 55
7	Brass shackle I. polished I. chromed II. polished II. polished	-	-	3	15	-	-	9	-	34600 003 33
		-	-	3	15	-	-	9	-	34600 003 35
		-	-	6	21	-	-	13	-	34600 005 33
		-	-	9	29	-	-	14	-	34600 009 33

AT A GLANCE





Flat material shackles

AT A
GLANCE



Self
service
card




Stainless
steel



ARTICLE	Safety working load (kg)	Breaking load (kg)	Bolt Ø A (mm)	L (mm)	B (mm)	→ (mm)	ARTICLE NO.
1 Long shackle with bolt and ring	225	900	5	36	18	1.5	34670 000 55
	225	900	5	36	14	1.5	34671 000 55
2 Short shackle with bolt and ring	187	750	5	17	8	1	34672 001 55
	250	1,000	5	21	9	1.5	34672 002 55
3 Shackle wide	250	1,000	M5 x 25	18	11	2	34680 004 55
	275	1,100	M5 x 29	21	15	2	34680 005 55
	325	1,300	M6 x 31	25	17	2	34680 007 55
	400	1,600	M6 x 31	25	17	2.5	34680 008 55
4 Shackle narrow	150	600	M4 x 20	16	8	1	34681 003 55
	250	1,000	M5 x 21	19	8	2	34681 004 55
	275	1,100	M5 x 25	22	12	2	34681 005 55
	325	1,300	M6 x 28	25	13	2	34681 007 55
5 Shackle with lens head screw DIN 85	250	1,000	M5 x 16	18	11	2	34682 004 55
	275	1,100	M5 x 20	21	15	2	34682 005 55
	325	1,300	M6 x 23	24	16	2	34682 007 55
6 Shackle with bolt and cotter bolt	400	1,600	6	37	25	3	34684 000 55
7 Key shackle	400	1,600	6/4	23/40	16	3	34686 000 55
8 Twisted shackle	275	1,300	6	23	12	2	34687 007 55
	400	1,600	6	21	16	2	34687 008 55



Please note: items 5 - 8 are not suitable for climbing.

Snap hooks

ARTICLE	Breaking load (kg)	L (mm)	∅ (mm)	→  (mm)	ARTIKEL-NR.
1 Snap hook AISI 316 stainless steel	-	30	-	3	31300 030 56
	-	40	-	4	31300 040 56
	570	50	-	5	31300 050 56
	670	60	-	6	31300 060 56
	750	70	-	7	31300 070 56
	870	80	-	8	31300 080 56
	1,150	100	-	10	31300 100 56
	1,250	120	-	11	31300 120 56
1,450	140	-	12	31300 140 A6	
2 Snap hook with thimble AISI 316 stainless steel	-	40	4.5	4	31301 040 56
	570	50	7	5	31301 050 56
	670	60	8	6	31301 060 56
	750	70	8	7	31301 070 56
	870	80	12	8	31301 080 56
	1,150	100	15	10	31301 100 56
	1,250	120	18	11	31301 120 56
	1,400	140	17	12	31301 140 A6
3 Snap hook with screwing AISI 316 stainless steel	-	50	-	5	31302 050 56
	-	60	-	6	31302 060 56
	-	70	-	7	31302 070 56
	-	80	-	8	31302 080 56
	-	100	-	10	31302 100 56
	-	120	-	11	31302 120 56
4 Snap hook with screwing and thimble AISI 316 stainless steel	-	50	6	5	31303 050 56
	-	60	7	6	31303 060 56
	-	70	9	7	31303 070 56
	-	80	9	8	31303 080 56
	-	100	12	10	31303 100 56
	-	120	17	11	31303 120 56

ARTICLE	L (mm)	→  (mm)	 (gr)	ARTICLE NO.
5 Aluminum snap hook not suitable for climbing	50	5	5	31950 050 54
	60	6	9	31950 060 54
	70	7	16	31950 070 54
	80	8	25	31950 080 54
6 Aluminum snap hook not suitable for climbing	50	5	5	31951 050 54
	60	6	9	31951 060 54
	70	7	16	31951 070 54
	80	8	25	31951 080 54
7 Aluminum snap hook not suitable for climbing	50	5	5	31952 050 54
	60	6	9	31952 060 54
	70	7	16	31952 070 54
	80	8	25	31952 080 54
8 Aluminum snap hook not suitable for climbing	80	8	25	31953 080 54

AT A GLANCE



Self service card



Stainless steel



Snap hooks

AT A
GLANCE



Self
service
card



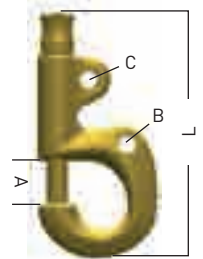
Stainless
steel

ARTICLE	Safety working load (kg)	Breaking load (kg)	L (mm)	Eye Ø (mm)	→ (mm)	Wichard-no.	ARTICLE NO.
1 Snap hook AISI 316, stainless steel	-	-	65	10	-	-	31181 065 56
	-	-	75	13	-	-	31181 075 56
2 Double snap hook AISI 316, stainless steel	-	-	105	13	-	-	31182 105 56
3 Snap hook cast AISI 316, stainless steel	25	100	35	-	-	-	31290 030 56
	-	220	50	-	-	-	31290 050 56
	-	600	70	-	-	-	31290 070 56
	-	1,100	100	-	-	-	31290 100 56
4 WICHARD snap hook forged, stainless steel	75	300	50	-	-	2480	31290 050 55
	200	800	75	-	-	2481	31290 075 55
	450	1,800	100	-	-	2482	31290 100 55
5 WICHARD snap hook with belt collet, stainless steel	200	300	60	30	-	2284	31916 060 55
6 Snap hook asymmetric AISI 316, stainless steel	-	-	60	10	6	-	31324 060 56
	-	-	80	13	8	-	31324 080 56
	-	-	100	15	10	-	31324 100 56
	-	-	120	20	12	-	31324 120 56
7 WICHARD snap hook asymmetric, stainless steel	450	800	60	7	6	2323	31324 060 55
	960	1,500	80	11	8	2325	31324 080 55
	1,250	2,200	100	13	10	2326	31324 100 55
	1,800	3,200	120	16	12	2327	31324 120 55



Piston hanks

ARTICLE	A (mm)	B (mm)	C (mm)	L (mm)	Int. size	ARTICLE NO.
1 Piston hank for sewing brass II. polished	6	5	5	40	0	36030 040 A3*
	13	6.5	6.5	60	2	36030 060 A3*
	19	10	13	90	5	36030 090 A3*
	22	8	8	115	6	36030 115 A3*
	25	11	11	135	7	36030 135 A3*
2 Press-on piston hank brass II. polished	16	11	-	80	4	36035 080 A3
3 Press-on piston hank brass II. polished	7	4.5	-	50	-	36033 050 33*
	12	7	-	60	-	36033 060 33*
	15	11	-	70	-	36033 070 33*
4 Piston hank brass II. polished	-	33 x 25	7	80	-	36025 080 A3*
	-	40 x 30	10	100	-	36025 100 A3*



* only while stocks last



Swivel

AT A
GLANCE



Swivelling



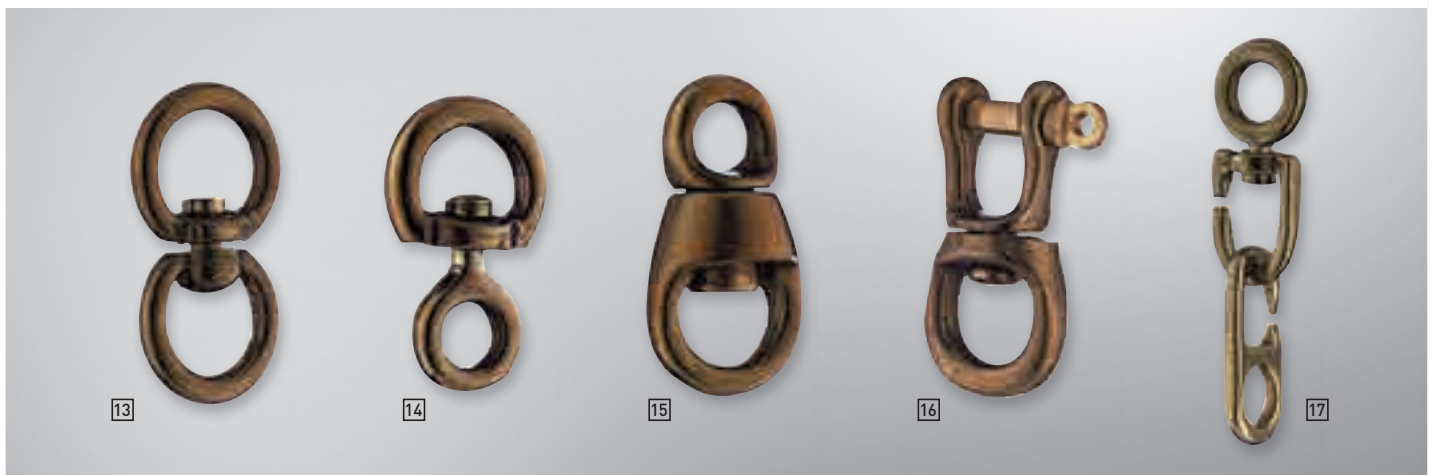
Self
service
card



Stainless
steel

ARTICLE	Safety wor- king load Bearing	Breaking load (kg)	L (mm)	Bolt-Ø D (mm)	B (mm)	Wichard no.	ARTICLE NO.
1 Buoy swivel stainless steel		1,125	4,500	110	10	22 5	35965 110 55
2 Swivel stainless steel		375	1,500	70	-	20 6	35970 000 55
3 Swivel fork / eye AISI 316, stainless steel, cast		225	1,350	66	-	12 6	35932 066 56
4 Swivel fork / fork AISI 316, stainless steel, cast	-	1,300	66	6	12	-	35933 006 56
	-	2,500	94	8	16	-	35933 008 56
	-	3,500	118	10	20	-	35933 010 56
	-	6,000	152	13	26	-	35933 013 56
	-	9,800	188	16	37	-	35933 016 56*
5 WICHARD swivel fork / eye stainless steel		1,440	2,800	70	8	11	2364 35938 070 55
		3,200	5,500	105	10	18	2365 35938 105 55
6 WICHARD moorings swivel stainless steel 316L		1,760	4,000	130	-	-	2442 37808 130 55
		2,960	5,500	150	-	-	2443 37808 150 55
7 Swivel eye / eye AISI 316, stainless steel, cast	-	-	60	-	13	5	35971 005 56
	-	-	65	-	15	6	35971 006 56
	-	-	88	-	20	8	35971 008 56
	-	-	115	-	24	10	35971 010 56
8 Ball bearing swivel stainless steel		875	3,500	88	-	-	31060 088 55

* only while stocks last



ARTICLE	Bearing	Breaking load (kg)	L (mm)	Bolt-Ø D (mm)	A (mm)	B (mm)	Swivelling (mm)	ARTICLE NO.
9 Swivel shackle stainless steel		750	41	5	7	8	1.5	35945 000 56
		700	41	5	10	9	1.5	35945 001 56
		1,000	47	6	12	12	1.7	35945 002 56
		1,100	55	6	14	14	2	35945 003 56
10 Swivel shackle stainless steel		450	45	5	8	9	1.5	35957 045 56
11 Swivel shackle stainless steel		800	51	5	10	13	1.7	35958 050 56
12 Swivel shackle stainless steel		1,000	62	6	13	13	2	35959 060 56
13 Flag swivel brass II. polished		200	50	-	18	-	-	31000 000 33
14 Flag swivel brass II. polished		-	40	-	-	-	-	35990 040 33
15 Ball bearing swivel brass II. polished		700	50	-	9	12	-	31050 052 A3
		1,000	70	-	13	21	-	31050 070 33
		1,200	80	-	15	27	-	31050 080 33*
		1,600	105	-	24	29	-	31050 105 33
16 Swivel fork / eye brass II. polished		800	70	8	-	13	-	35930 070 33
17 Flag swivel brass II. polished		-	65	-	-	-	-	35960 065 33
		-	90	-	-	-	-	35960 090 33

AT A GLANCE

Swivelling

Self service card

* only while stocks last



Snap shackles

AT A
GLANCE



Self
service
card



Stainless
steel


ARTICLE	Safety working load (kg)	Breaking load (kg)	L (mm)	A (mm)	B (mm)	Bolt-Ø (mm)	WICHARD no.	ARTICLE NO.
1 Snap shackle AISI 316 stainless steel, cast	-	-	35	11	7	-	-	36053 035 56
	-	1,155	52	12	9	-	-	36053 050 56
	-	2,400	66	16	12	-	-	36053 070 56
	-	3,870	96	22	16	-	-	36053 095 56
2 Snap shackle AISI 316 stainless steel, cast	-	1,140	70	12	12	-	-	36054 070 56
	-	2,250	87	16	16	-	-	36054 090 56
	-	3,500	120	22	22	-	-	36054 120 56
3 Snap shackle AISI 316 stainless steel, cast	500	900	70	16	10	6	-	36055 070 56
		2,000	90	20	13	8	-	36055 090 56
		3,800	128	30	20	10	-	36055 130 56
4 WICHARD Snap shackle stainless steel		960	50	16	10	-	2471	36053 050 55
		1,280	70	21	13	-	2472	36053 070 55
5 WICHARD Snap shackle stainless steel		960	70	16	11	-	2473	36054 070 55
		1,280	90	21	14	-	2475	36054 090 55
6 Snap shackle brass II. polished		150	45	12	18	-	-	36050 045 33
		162	60	13	28	-	-	36050 060 33




Racing shackles

ARTICLE	Safety wor- Breaking		L (mm)	L2 (mm)	A (mm)	B (mm)	D (mm)	WICHARD	ARTICLE NO.	
	king load (kg)	load (kg)								no.
1 WICHARD Racing shackle easy opening even under high load, high resistance steel, magnetic	880	1,500	70	-	14	11	-	2673	36063 070 55	
	1,280	2,300	80	-	16	12	-	2674	36063 080 55	
	1,600	3,200	90	-	20	13.5	-	2675	36063 090 55	
	2,400	4,200	110	-	25	16	-	2676	36063 110 55	
2 WICHARD Racing shackle easy opening even under high load, high resistance steel, magnetic	880	1,500	80	-	14	19	-	2773	36066 080 55	
	1,280	2,000	90	-	16	23	-	2774	36066 090 55	
3 Screw link (reefing shackle) AISI 316, stainless steel	-	-	36	29	-	10	5	3.5	-	36100 003 56
	-	-	40	32	-	11.5	5.4	4	-	36100 004 56
	-	-	48.5	38.5	-	13	6.5	5	-	36100 005 56
	-	-	58	46	-	14.5	7.5	6	-	36100 006 56
	-	-	65	51	-	16.5	8	7	-	36100 007 56
-	-	75	59	-	17.5	10	8	-	36100 008 56	
4 Inglefield clip seawater-resistant aluminum, anodised	-	450	40	-	11	-	-	-	-	36120 040 54
5 Quick fastener stainless steel	-	-	24	-	-	9	-	6	-	36105 006 56
	-	-	32	-	-	12	-	8	-	36105 008 56
	-	-	36	-	-	13	-	9	-	36105 009 56
6 Spare chain link for riveting stainless steel	-	-	35	-	-	9	-	6	-	36101 006 56
	-	-	40	-	-	11	-	8	-	36101 008 56

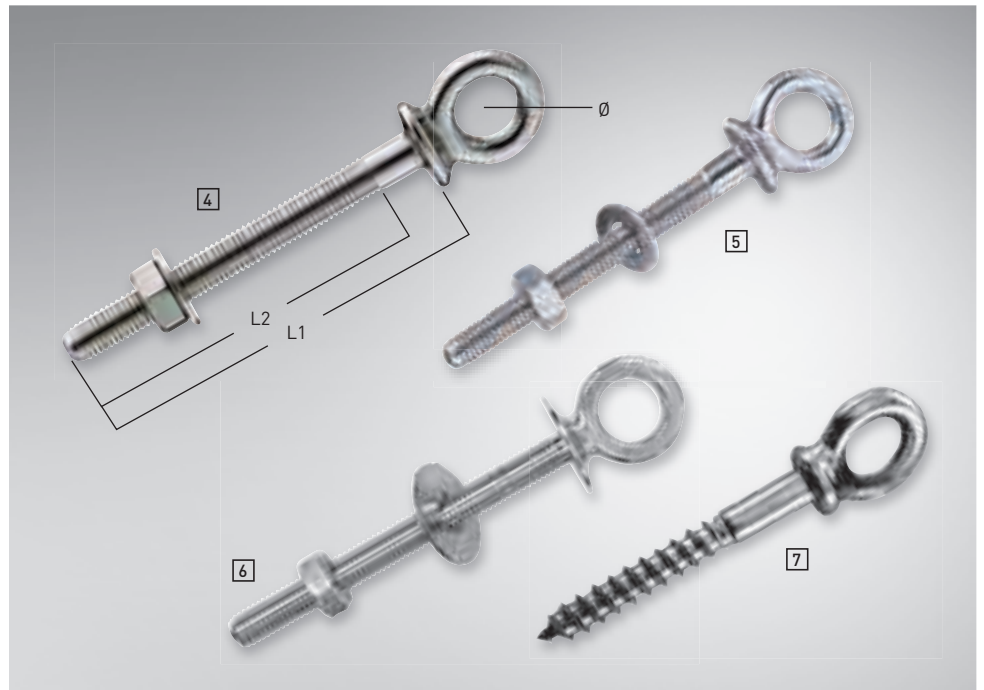
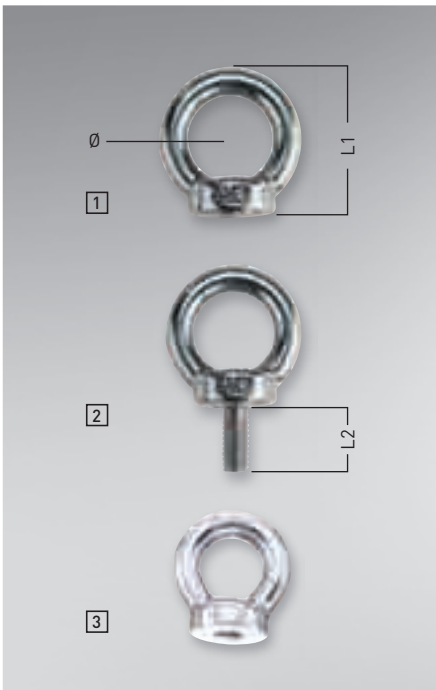
AT A GLANCE



Self service card



Stainless steel



Eye bolts

AT A
GLANCE

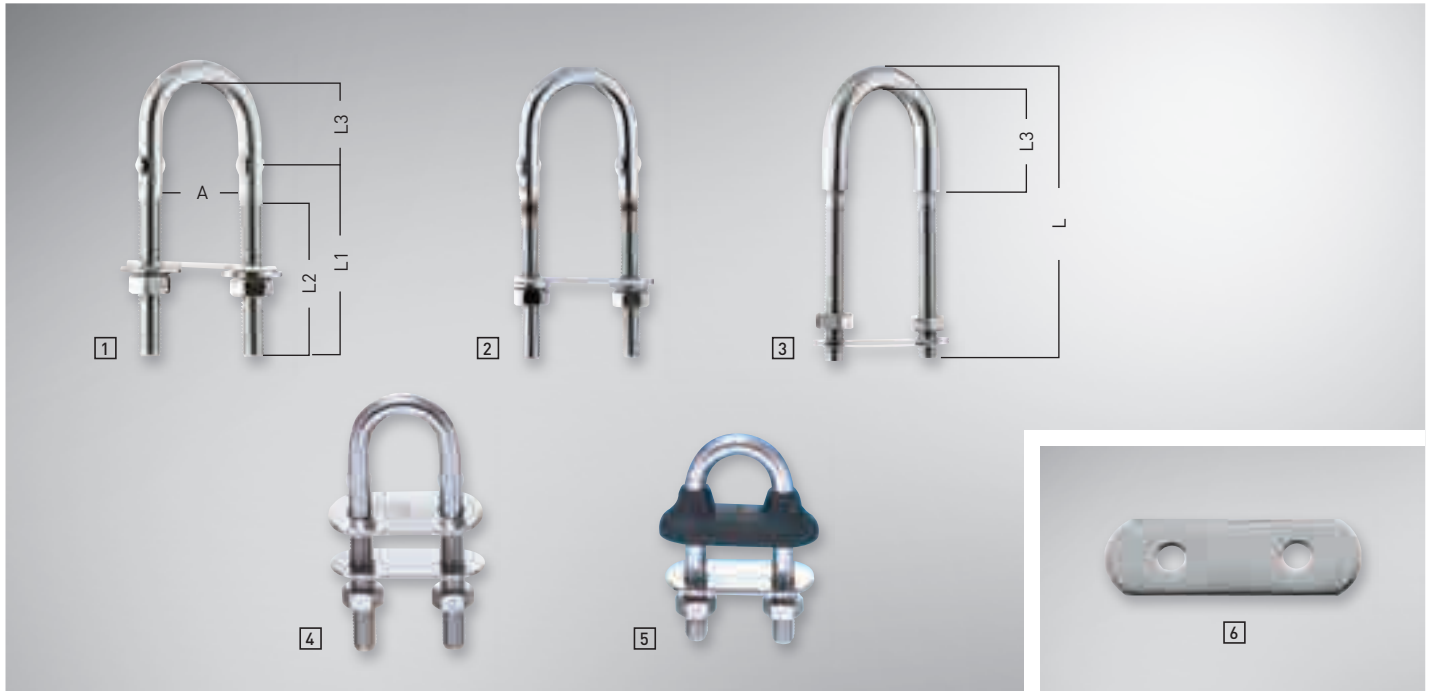


Self
service
card



Stainless
steel

ARTICLE	Safety working load (kg)	Breaking load (kg)	Thread	Eye Ø (mm)	L1 (mm)	L2 (mm)	WICHARD-no.	ARTICLE NO.
1 Ring nut AISI 316, stainless steel, cast	-	-	M 5	15	25	-	5	34221 005 56
	-	-	M 6	16	28	-	6	34221 006 56
	-	-	M 8	20	36	-	8	34221 008 56
	-	-	M 10	25	45	-	10	34221 010 56
	-	-	M 12	30	53	-	12	34221 012 56
2 Ring screw AISI 316	-	-	M 5	15	25	10	5	34223 005 56
	-	-	M 6	16	41	13	6	34223 006 56
	-	-	M 8	20	50	13	8	34223 008 56
	-	-	M 10	25	60	15	10	34223 010 56
3 WICHARD Ring nut stainless steel, forged	-	1,500	M 6	13	27	-	6	6333 34222 000 55
	-	2,200	M 8	13	27	-	6	6334 34222 001 55
	-	3,000	M 8	17	36	-	8	6344 34222 002 55
	-	4,500	M 10	17	36	-	8	6345 34222 003 55
4 Eye bolt AISI 316	-	4,800	M 10	22	46	-	10	6355 34222 004 55
	-	5,200	M 12	22	46	-	10	6356 34222 005 55
	-	1,400	M 6	12	40	34	-	34248 001 56
	-	1,400	M 6	12	60	54	-	34248 002 56
	-	2,500	M 8	13	80	70	-	34248 003 56
5 WICHARD Eye bolt	-	2,500	M 8	13	100	90	-	34248 004 56
	-	3,900	M 10	16	100	88	-	34248 005 56
	-	5,600	M 12	18	120	105	-	34248 006 56
	560	900	M 6	12	40	34	5	6490 34293 004 55
	560	900	M 6	12	60	54	5	6491 34293 006 55
	960	1,500	M 8	14	80	70	6	6492 34294 080 55
6 Eye bolt with large overlay AISI 316	960	1,500	M 8	14	100	90	6	6493 34294 100 55
	1,600	2,700	M 10	16	100	88	7	6495 34295 100 55
	2,400	3,500	M 12	18	120	105	8	6497 34298 120 55
	-	-	M 6	12	60	-	-	-
7 Eye bolt with wood thread AISI 316	-	-	M 8	14	80	-	-	34249 002 56
	-	-	M 10	16	100	-	-	34249 003 56
	-	-	M 12	18	100	-	-	34249 004 56
	-	-	M 6	14	60	40	-	-
7 Eye bolt with wood thread AISI 316	-	-	M 8	20	60	40	-	34247 002 56
	-	-	M 10	24	80	50	-	34247 003 56
	-	-	M 12	30	100	60	-	34247 004 56



U-bolts

ARTICLE	Safety working load (kg)	Breaking load (kg)	Thread	L (mm)	L1 (mm)	L2 (mm)	L3 (mm)	A (mm)	Washers (mm)	WICHARD- no.	ARTICLE NO.
1 U-bolt	-	-	M 5	84	55	45	22	25,5	160 21	-	34231 001 55
	-	-	M 8	100	63	50	25	30	160 22	-	34231 002 55
	-	-	M 8	70	32	21	26	31	160 22	-	34231 028 55
	-	-	M 10	125	74	60	35	41	160 61	-	34231 070 55
2 U-bolt	600	2,400	M 6	84	55	45	22	25,5	160 31	-	34234 001 55
	-	-	M 5	80	-	48	30	28	-	7	34246 000 56
3 U-bolt AISI 316	-	-	M 6	90	-	55	28	27	-	8	34246 001 56
	-	-	M 8	80	-	40	30	25	-	10	34246 002 56
	-	-	M 8	100	-	52	35	35	-	10	34246 003 56
	-	-	M 10	115	-	80	45	38	-	12	34246 004 56
	-	-	M 12	150	-	85	51	46	-	14	34246 005 56
4 WICHARD U-bolt	640	2,000	M 5	60	-	30	24	28	-	5	6512 34245 060 55
	1,280	3,000	M 6	70	-	35	27	32	-	6	6513 34245 070 55
	2,400	4,800	M 8	80	-	40	30	36	-	8	6514 34245 080 55
	3,600	7,000	M 10	90	-	45	32	40	-	10	6515 34245 090 55
5 WICHARD U-bolt with water-proof rubber collar, black	640	2,000	M 5	60	-	30	21	28	-	5	65321 34243 000 55
	1,280	3,000	M 6	70	-	35	24	32	-	6	65331 34243 001 55
	1,280	3,000	M 6	90	-	55	24	32	-	6	65431 34243 002 55
	2,400	4,800	M 8	80	-	40	25	36	-	8	65341 34243 003 55
	2,400	4,800	M 8	100	-	60	25	36	-	8	65441 34243 004 55
	3,600	7,000	M 10	90	-	45	26	40	-	10	65351 34243 005 55
	3,600	7,000	M 10	110	-	65	26	40	-	10	65451 34243 006 55
	6,400	10,000	M 12	110	-	50	27	44	-	12	65361 34243 007 55
6,400	10,000	M 12	130	-	70	27	44	-	12	65461 34243 008 55	
6 Washer	-	-	-	-	-	-	-	-	45 x 15	-	160 21
	-	-	-	-	-	-	-	-	55 x 15	-	160 22
	-	-	-	-	-	-	-	-	46 x 15	-	160 31
	-	-	-	-	-	-	-	-	71 x 20	-	160 61

AT A GLANCE



Self service card



Stainless steel

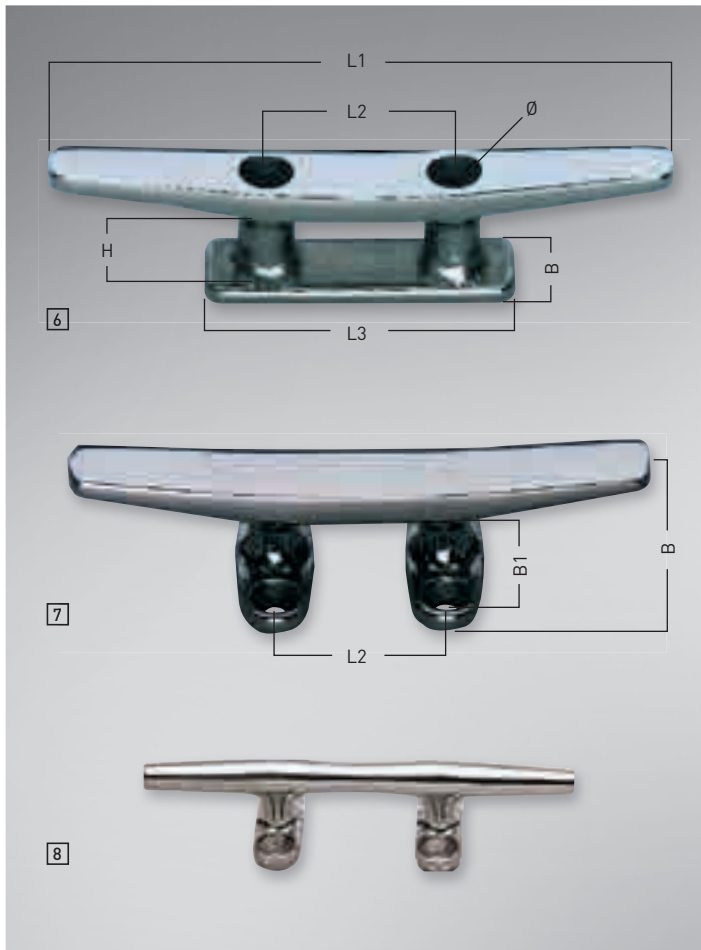


Cleats

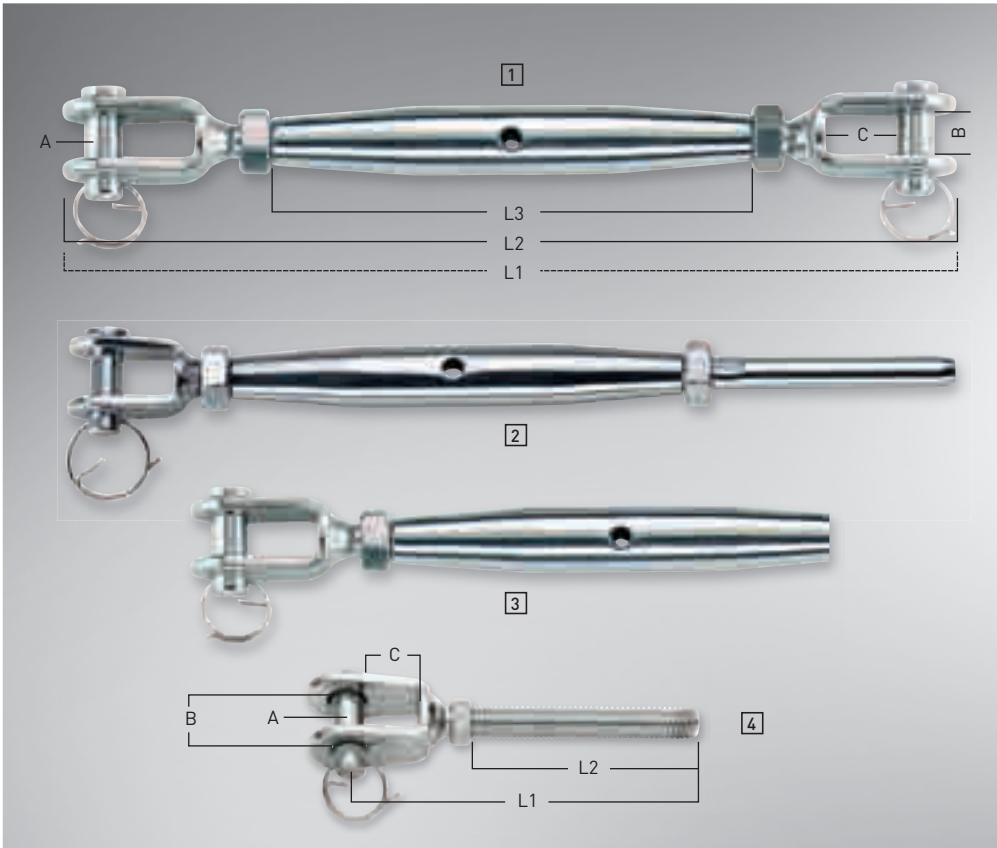
AT A GLANCE

Self service card

ARTICLE	L1 (mm)	L2 (mm)	L3 (mm)	B (mm)	H (mm)	Boring hole Ø (mm)	Self service card (pc.)	ARTICLE NO.
1 Cleat stainless steel	50	10	-	-	-	3.3	-	33801 050 55
	60	10	-	-	-	3.3	-	33801 060 55
	80	10	-	-	-	5.2	-	33801 080 55
	100	16	-	-	-	5.2	-	33801 100 55
2 Cleat brass II. polished	40	9	-	-	-	3.2	-	33800 040 33
3 Cleat plastic black	73	26	-	-	-	4.0	2	39051 308 00
	97	27	-	-	-	4.4	2	39051 311 00
	125	36	-	-	-	4.7	2	39051 314 00
	163	42	-	-	-	5.7	1	39051 318 00
	210	50	-	-	-	6.7	1	39051 321 00
4 Cleat 2-hole, aluminum silver anodised	80	22	-	10	9	4.2	-	33841 080 54
	100	25	-	15	10	5.2	-	33841 100 54
	125	31	-	19	12	5.2	-	33841 125 54
	150	37	-	22	16	6.4	-	33841 150 54
	200	52	-	32	23	6.4	-	33841 200 54
250	60	-	37	30	8.4	-	33841 250 54	
5 Cleat 4-hole, aluminum silver anodised	80	27	26	10	12.5	4.2	-	33846 080 54
	100	31	34	14	13	4.2	-	33846 100 54
	125	41	39	19	14	5.2	-	33846 125 54
	150	43	45	22	18	5.2	-	33846 150 54
	200	63	52	32	25	6.4	-	33846 200 54
	250	70	58	36	30	6.4	-	33846 250 54
320	88	80	47	38	8.4	-	33846 320 54	



ARTICLE	L1 (mm)	L2 (mm)	L3 (mm)	B (mm)	B 1 (mm)	H (mm)	For rope (mm)	Boring hole Ø (mm)	Ø	ARTICLE NO.
6 Cleat 2-hole, AISI 316, stainless steel	100	30	50	14	-	13	-	4.5	-	33848 100 56
	125	40	65	18	-	16	-	5.5	-	33848 125 56
	150	50	81	22	-	21	-	6.5	-	33848 150 56
	200	55	90	25	-	25	-	8.5	-	33848 200 56
	250	70	105	28	-	27	-	8.5	-	33848 250 56
7 Cleat 4-hole, AISI 316, stainless steel	100	30	-	35	25	14	-	5	-	33849 100 56
	125	40	-	46	30	16	-	5	-	33849 125 56
	150	51	-	60	42	18	-	6	-	33849 150 56
	200	56	-	60	42	26	-	6	-	33849 200 56
	250	54	-	65	46	30	-	6.5	-	33849 250 56
8 Cleat 4-hole, AISI 316, stainless steel	150	58	-	44	26	20	-	6	-	33824 150 56
	200	72	-	52	34	24	-	6.5	-	33824 200 56
	250	91	-	67	44	30	-	8	-	33824 250 56
	300	100	-	71	49	33	-	8.5	-	33824 300 56
	9 Bitt AISI 316, stainless steel	90	130	-	80	-	-	-	6	50
120		160	-	95	-	-	-	6	60	33830 060 56
10 Deck fairleads (pair) AISI 316, stainless steel	115	96	-	-	-	-	12	-	-	34350 115 56
11 Cleat AISI 316, stainless steel	55	-	-	15	-	-	3 - 6	-	-	36660 001 56
	70	-	-	17	-	-	3 - 6	-	-	36660 002 56
	82	-	-	18	-	-	3 - 6	-	-	36660 003 56
12 Cleat AISI 316, stainless steel	54	-	-	17	-	-	3 - 6	-	-	36661 000 56
13 Cleat AISI 316, stainless steel	48	-	-	14	-	-	3 - 6	-	-	36662 000 56



Turnbuckles

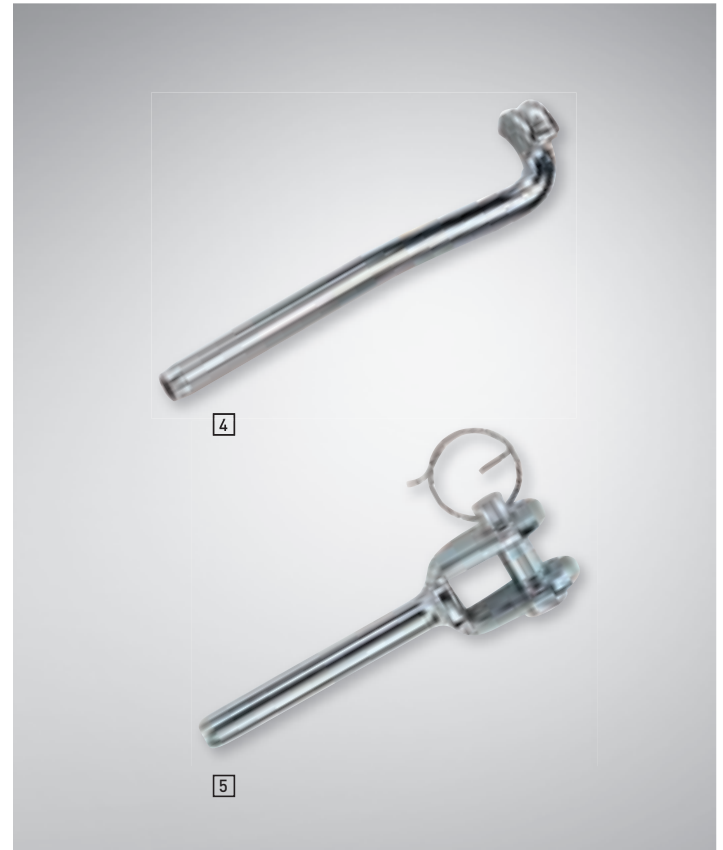
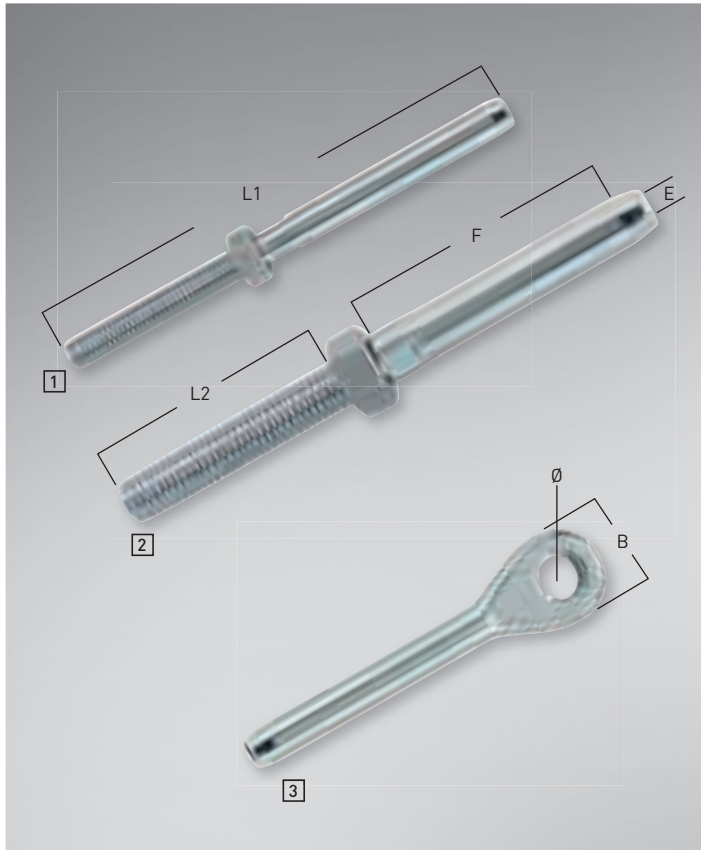
- Excellent quality
- Precise manufacturing
- First-class polished

AT A GLANCE

INFO

Please grease the turnbuckles prior to the first use!

ARTICLE	Breaking load (kg)	For rope-Ø (mm)	Thread	L1 (mm)	L2 (mm)	L3 (mm)	A (mm)	B (mm)	C (mm)	Eye Ø (mm)	ARTICLE NO.
1 Turnbuckle 2 forks precise cut thread, AISI 316, stainless steel	750	2.5	M 5	190	130	78	5	7	9	3	36445 000 56
	1,100	3	M 6	220	150	92	6	8	10	4	36446 000 56
	2,000	4	M 8	255	180	105	8	9.5	12	4	36447 000 56
	3,100	5	M 10	300	220	124	9	12	14	5	36448 000 56
	4,500	6	M 12	385	270	148	12	14	22.5	5	36449 000 56
	6,000	7	M 14	425	300	165	12	14	22.5	5	36450 000 56
	8,000	8	M 16	475	350	190	16.5	16	26	6	36451 000 56
10,200	10	M 20	540	360	210	16.5	20	30	6	36452 000 56	
2 Turnbuckle 1 fork and swage stud precise cut thread, AISI 316, stainless steel	750	2.5	M 5	-	145	78	5	7	9	3	36485 000 56
	1,100	3	M 6	-	160	92	6	8	10	4	36486 000 56
	2,000	4	M 8	-	195	105	8	9.5	12	4	36487 000 56
	3,100	5	M 10	-	240	124	9	12	14	5	36488 000 56
	4,500	6	M 12	-	290	148	12	14	22.5	5	36489 000 56
3 Turnbuckle 1 fork with left thread precise cut thread, AISI 316, stainless steel	750	2.5	M 5	160	105	78	5	7	9	3	36445 001 56
	1,100	3	M 6	185	120	92	6	8	10	4	36446 001 56
	2,000	4	M 8	220	145	105	8	9.5	12	4	36447 001 56
	3,100	5	M 10	260	170	124	9	12	14	5	36448 001 56
	4,500	6	M 12	328	210	148	12	14	22.5	5	36449 001 56
4 Fork with left thread stainless steel	-	-	M 6	70	47	-	6	7.5	10	-	36446 999 56
	-	-	M 8	80	56	-	8	11	11	-	36447 999 56
5 Toggle AISI 316, stainless steel	1,000	-	-	22	-	-	5	5.8	-	-	36466 005 56
	1,300	-	-	27	-	-	6	6.8	-	-	36466 006 56
	1,900	-	-	31	-	-	8	8.8	-	-	36466 008 56
	3,000	-	-	36	-	-	10	12	-	-	36466 010 56
	4,000	-	-	50	-	-	12	12.8	-	-	36466 012 56
6 Pelican hook AISI 316, stainless steel	-	-	M 6	75	-	-	~13	-	-	-	36260 006 56
	-	-	M 8	100	-	-	~15	-	-	-	36260 008 56



Terminals

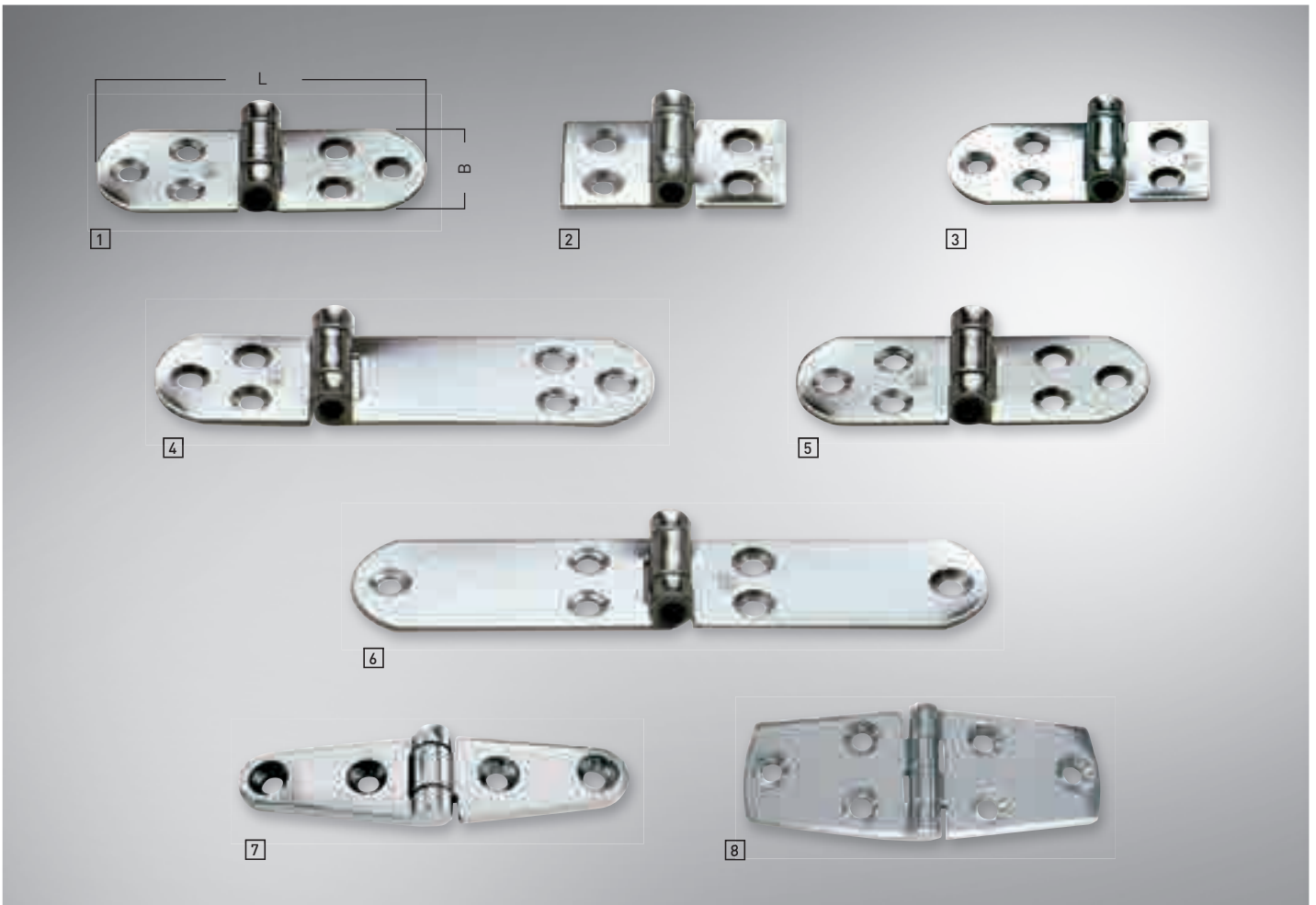
- Excellent quality
- First-class polished
- Precise manufacturing

ARTICLE	Breaking load (kg)	For rope-Ø (mm)	Thread	Bolt Ø (mm)	L1 (mm)	L2 (mm)	E (mm)	F (mm)	G (mm)	B (mm)	Eye Ø (mm)	ARTICLE NO.	
1 Swage stud right thread AISI 316, stainless steel	600	2.5	M 5	-	72	36	2.8	24	5.5	-	-	36471 000 56	
	700	3	M 6	-	80	40	3.3	31	6.2	-	-	36471 001 56	
	700	4	M 6	-	95	45	4.3	40	7.3	-	-	36471 064 56	
	1,100	4	M 8	-	102	53	4.3	40	7.3	-	-	36471 002 56	
	1,100	5	M 8	-	120	53	5.2	56	9	-	-	36471 085 56	
	1,600	5	M 10	-	130	63	5.2	56	9	-	-	36471 003 56	
	2,500	6	M 12	-	143	70	6.7	61	12.4	-	-	36471 004 56	
2 Swage stud left thread AISI 316, stainless steel	700	3	M 6	-	80	40	3.3	31	6.2	-	-	36473 001 56	
	1,100	4	M 8	-	102	53	4.3	40	7.3	-	-	36473 002 56	
	1,600	5	M 10	-	130	63	5.2	56	9	-	-	36473 003 56	
	2,500	6	M 12	-	143	70	6.7	61	12.4	-	-	36473 004 56	
3 Eye terminal AISI 316, stainless steel	600	2.5	-	-	51	-	2.8	30	5.5	4	12.5	6	36470 000 56
	700	3	-	-	62	-	3.3	32	6.2	4	13	6.5	36470 001 56
	1,100	4	-	-	74	-	4.3	39	7.3	6	17	8.6	36470 002 56
	1,600	5	-	-	90	-	5.2	56	9	7	22	10.2	36470 003 56
	2,500	6	-	-	109	-	6.7	61	12.4	8	27	12.8	36470 004 56
4 T-terminal AISI 316, stainless steel	-	3	-	-	84	-	-	-	-	-	-	-	36474 001 56
	-	4	-	-	100	-	-	-	-	-	-	-	36474 002 56
	-	5	-	-	115	-	-	-	-	-	-	-	36474 003 56
	-	6	-	-	140	-	-	-	-	-	-	-	36474 004 56
5 Fork terminal AISI 316, stainless steel	600	2.5	-	5	60	-	2.8	24	5.5	-	-	-	36472 005 56
	700	3	-	6	74	-	3.3	32	6.2	-	-	-	36472 006 56
	1,100	4	-	8	85	-	4.3	39	7.3	-	-	-	36472 008 56
	1,600	5	-	9.5	101	-	5.2	56	9	-	-	-	36472 010 56
	2,500	6	-	9.5	123	-	6.7	61	12.4	-	-	-	36472 012 56

AT A GLANCE



Stainless steel



Stainless steel strap hinges








AT A
GLANCE

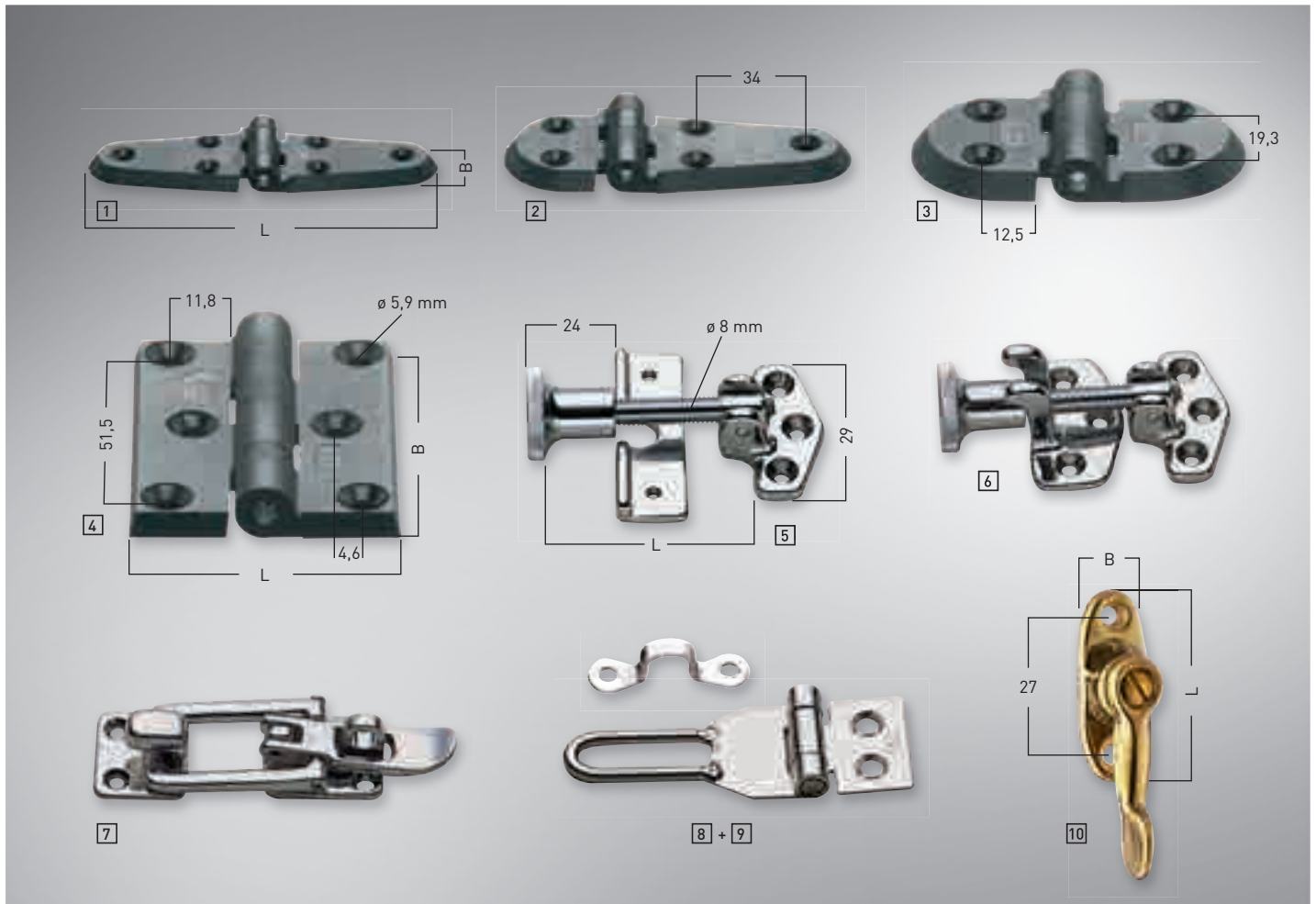


Self
service
card





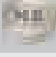





Stainless
steel

ARTICLE		L (mm)	B (mm)	 (mm)	Boring for	ARTICLE NO.	
1	Strap hinge stainless steel, 6 holes		80	30	1,5	Countersunk screw 5 mm	33510 000 55
2	Strap hinge stainless steel, 4 holes		50	30	1,5	Countersunk screw 5 mm	33510 001 55
3	Strap hinge stainless steel, 5 holes		65	30	1,5	Countersunk screw 5 mm	33510 002 55
4	Strap hinge stainless steel, 6 holes		110	30	1,5	Countersunk screw 5 mm	33510 003 55
5	Strap hinge stainless steel, 6 holes		100	40	2,0	Countersunk screw 5 mm	33515 100 55
6	Strap hinge stainless steel, 6 holes		150 200 250	40 40 40	2,0 2,0 2,0	Countersunk screw 5 mm	33515 150 55 33515 200 55 33515 250 55
7	Strap hinge stainless steel, 4 holes AISI 316		103	27	4,5	Countersunk screw 5 mm	33540 000 56
8	Strap hinge stainless steel, 6 holes AISI 316		98	37	4,5	Countersunk screw 5 mm	33541 000 56

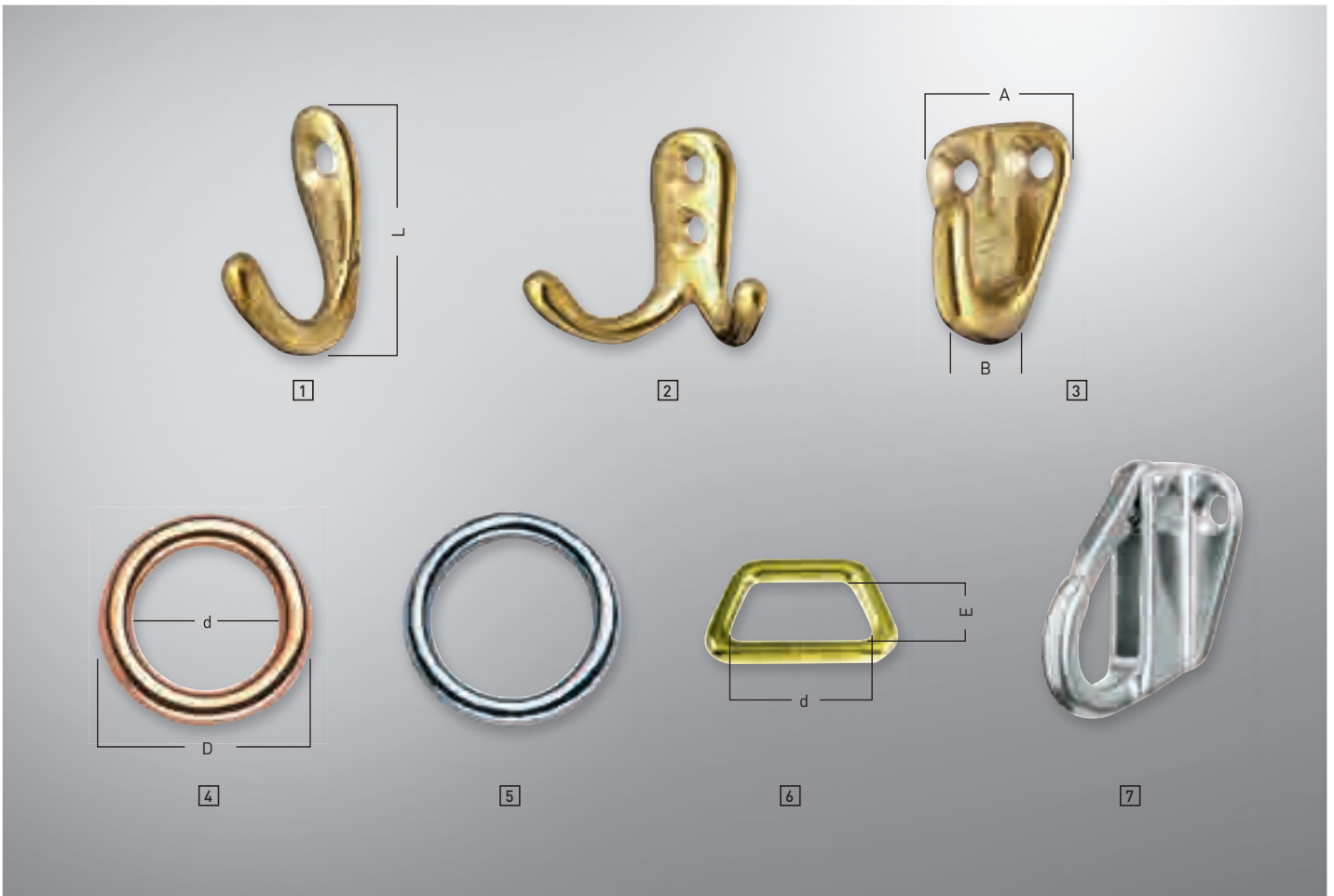


Strap hinges & fasteners



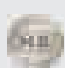
ARTICLE		L (mm)	B (mm)	ARTICLE NO.
1	Strap hinge made of black plastic high strength, temperature resistant, bolt made of stainless steel, holes for 5 mm countersunk screws		140 40	33520 001 63
2	Strap hinge made of black plastic high strength, temperature resistant, bolt made of stainless steel, holes for 5 mm countersunk screws		110 40	33520 002 63
3	Strap hinge made of black plastic high strength, temperature resistant, bolt made of stainless steel, holes for 5 mm countersunk screws		75 40	33520 003 63
4	Strap hinge made of black plastic high strength, temperature resistant, bolt made of stainless steel, holes for 5 mm countersunk screws		50 65	33521 003 63
5	Fastener with counter plate brass I. chrome plated		60 105	33355 000 32 33357 000 32
6	Fastener with counter plate brass I. chrome plated		60 105	33358 000 32 33359 000 32
7	Hatch fastener brass I. chrome plated, with 6 mm drilling for lock		- -	33335 000 32
8	Overfall , stainless steel		90 30	33345 000 55
9	Fender cleat , stainless steel		38 16	37921 016 55
10	Sash fastener , brass II. polished		38 16	33450 000 33

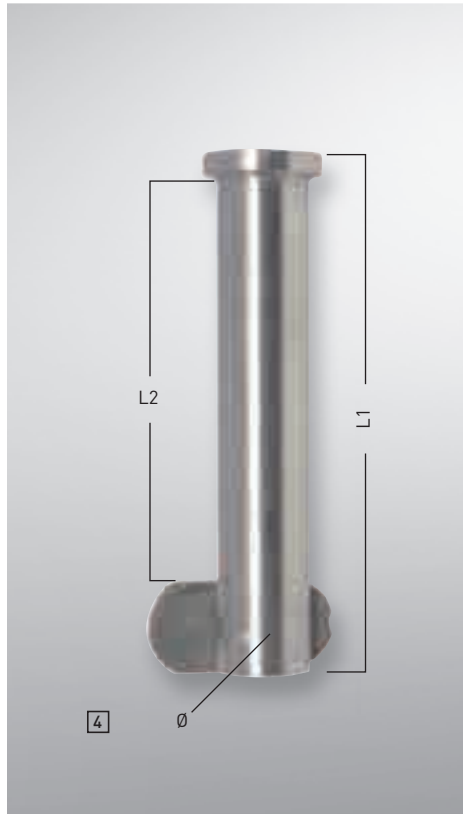
AT A
GLANCE





Hooks & rings

ARTICLE	L (mm)	A (mm)	B (mm)	d (mm)	D (mm)	 (mm)	E (mm)	Boring for	ARTICLE NO.	
1 Hook brass II. polished	38	-	-	-	-	-	-	Countersunk screw 4 mm	33160 000 33	
2 Double hook brass II. polished with two holes	34	-	-	-	-	-	-	Countersunk screw 4 mm	33161 000 33	
3 Hook brass II. polished with two holes	-	21	10	-	-	-	-	Countersunk screw 4 mm	35920 000 33	
4 Ring brass II. polished		-	-	-	19	27	4.0	-	Countersunk screw 4 mm	30320 019 33
		-	-	-	22	32	4.8	-		30320 022 33
		-	-	-	32	45	6.6	-		30320 032 33
		-	-	-	38	52	8.0	-		30320 038 33
		-	-	-	45	59	7.0	-		30321 045 33
5 Ring stainless steel	-	-	-	25	36	5	-	Countersunk screw 4 mm	30260 025 55	
6 Trapeze ring brass II. polished		-	-	-	28/20	42	4.8	15	Countersunk screw 4 mm	30326 000 33
7 Fender holder AISI 316, stainless steel, brass II. chrome plated	40	-	-	-	-	-	-	Countersunk screw 4 mm	39442 040 56	
	45	-	-	-	-	-	-		39441 000 35	



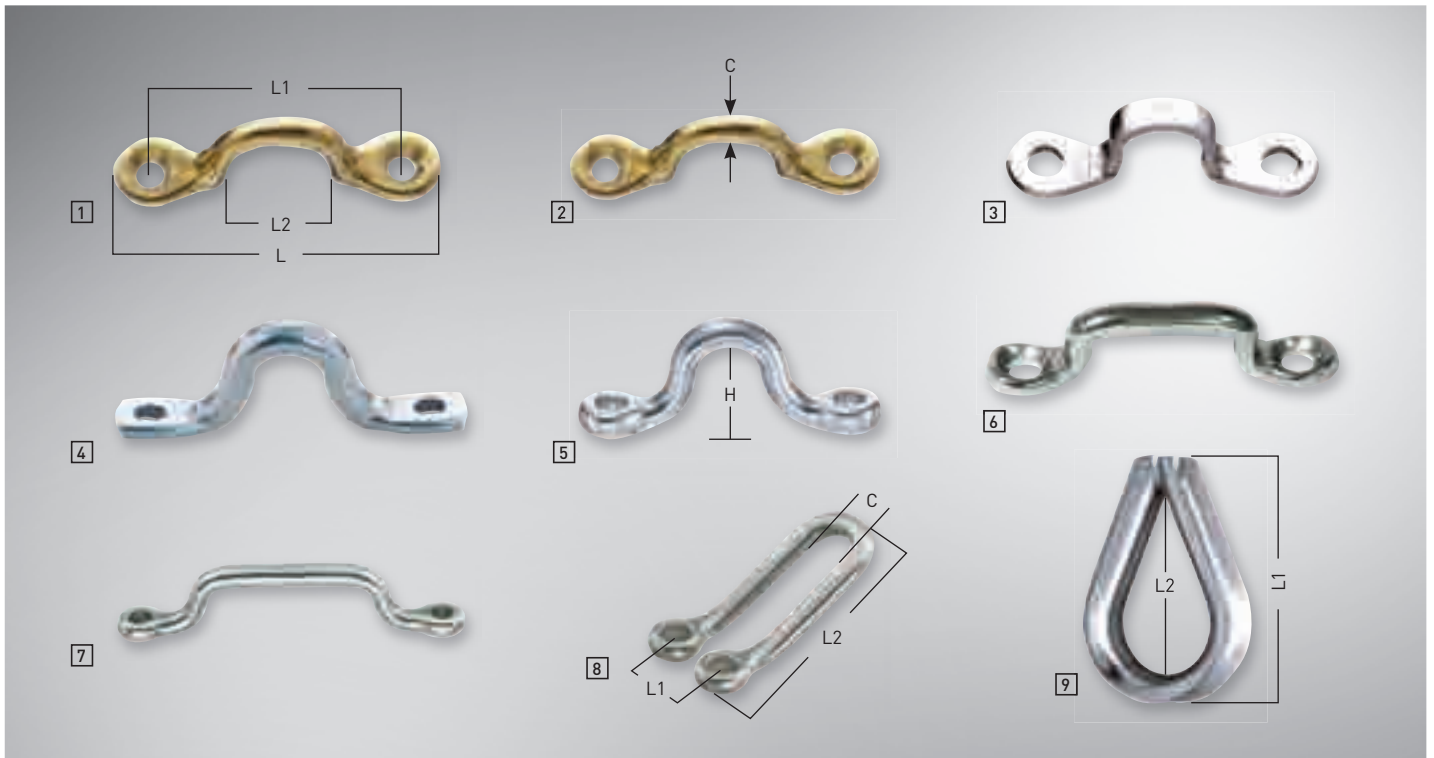
Tiller cable clamps & bolts

ARTICLE	(mm)	L1 (mm)	L2 (mm)	Ø (mm)	ARTICLE NO.	
1 Split rings stainless steel, 5 pcs on self-service card	0.9 x 10	-	-	-	33723 010 55	
	1.5 x 17	-	-	-	33723 017 55	
	2.0 x 23	-	-	-	33723 023 55	
2 Clevis pins DIN 1434 with cross-hole, stainless steel, 5 pcs on self-service card	-	15.5	12.9	5	33720 015 55	
	-	16.5	13.5	5	33720 016 55	
	-	18.5	15.9	5	33720 018 55	
	-	20.5	17.9	5	33720 020 55	
	-	26.0	23.4	5	33720 026 55	
	-	30.5	27.9	5	33720 030 55	
	-	32.0	28.9	5	33720 031 55	
	-	36.5	33.9	5	33720 036 55	
	Size 36 with round head	-	17.5	14.0	6	33721 018 55
		-	25.0	20.5	8	33721 026 55
3 Hitch pin with ball locking AISI 304, stainless steel	-	28	13	5	33740 528 56	
	-	35	22	6	33740 635 56	
	-	33	22	8	33740 833 56	
	-	46	36	8	33740 846 56	
4 Safety clevis pins AISI 304, stainless steel	-	20	12	6	33735 001 56	
	-	26	18	6	33735 002 56	
	-	31	23	6	33735 003 56	
	-	56	48	6	33735 050 56	
	-	65	57	6	33735 060 56	
	-	28	20	8	33736 001 56	
	-	34	25	8	33736 002 56	
	-	38	30	8	33736 003 56	
	-	43	35	8	33736 004 56	
	-	35	25	10	33737 002 56	
-	45	35	10	33737 003 56		
-	55	45	10	33737 005 56		

AT A
GLANCE



ARTICLE	For wire Ø (mm)	ARTICLE NO.
5 Tiller cable clamp die cast l. chrome plated	5	30900 000 47
6 Simplex tiller cable clamp AISI 316, stainless steel	2	30915 002 56
	3	30915 003 56
	4	30915 004 56
7 Duplex tiller cable clamp AISI 316, stainless steel	2	30916 002 56
	3	30916 003 56
	4	30916 004 56
	5	30916 005 56
	6	30916 006 56
8 Tiller cable clamp stainless steel	8	30916 008 56
	2	30910 002 56
	3	30910 003 56
	4	30910 004 56
	5	30910 005 56
	6	30910 006 56
8	30910 008 56	
10	30910 010 56	
12	30910 012 56	



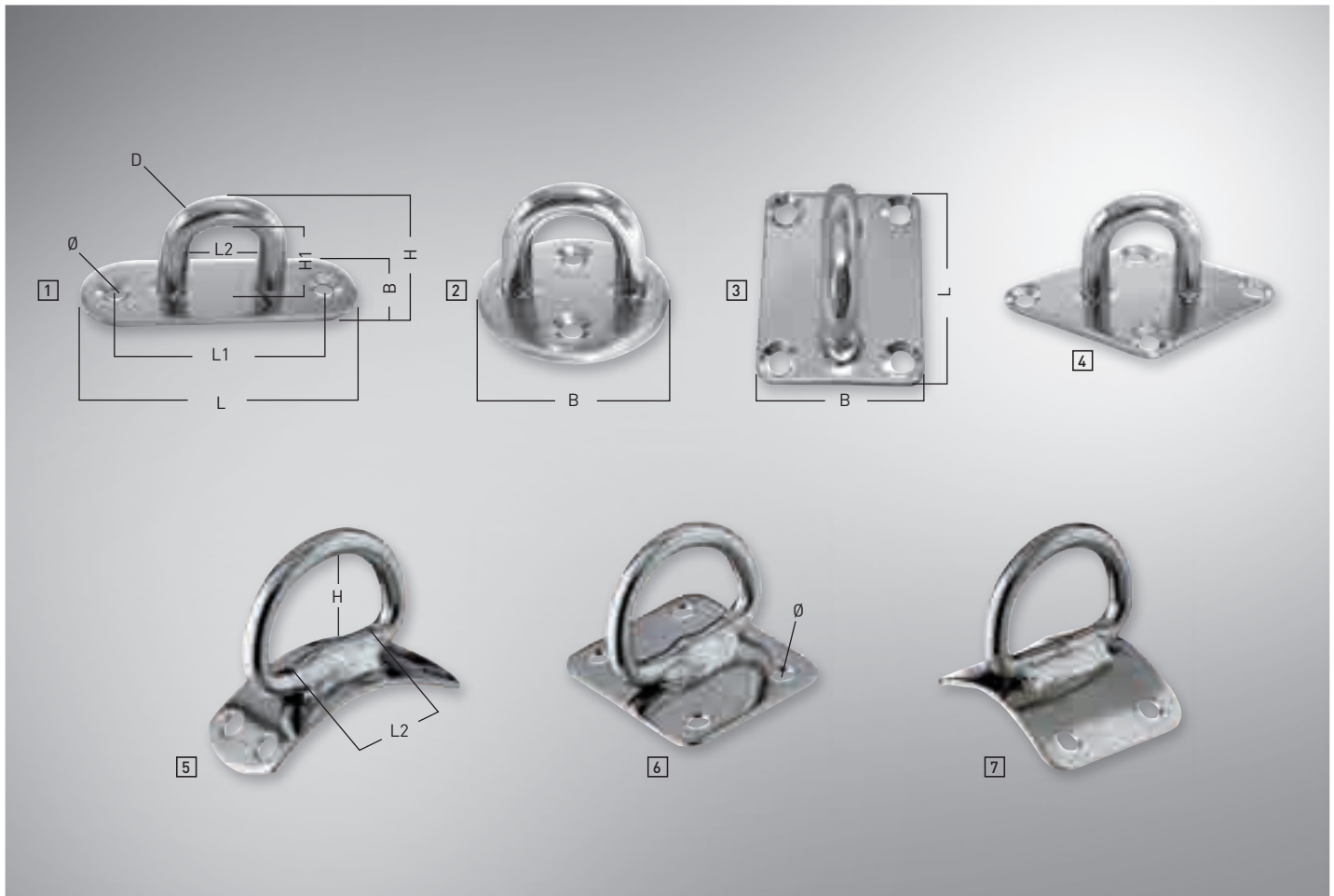
Fender cleats & eye straps

AT A
GLANCE



Self
service
card


ARTICLE		C (mm)	H (mm)	L (mm)	L1 (mm)	L2 (mm)	For wire (mm)	Bore hole Ø (mm)	WICHARD no.	ARTICLE NO.
1 Fender cleat	brass II. polished	-	-	53	40	13	-	4	-	37920 000 33
	brass II. chrome plated	-	-	53	40	13	-	4	-	37920 000 35
2 Fender cleat	brass II. polished	-	-	55	40	10	-	4.1	-	37930 010 33
	brass II. chrome plated	-	-	55	40	10	-	4.1	-	37930 010 35
3 Fender cleat	stainless steel, suitable	-	-	39	30	9	-	4	-	37921 009 55
	counter plate for size 10:	-	-	46	35	10	-	5	-	37921 010 55
	37922 010 55 (w/o image)	-	-	55	42	16	-	5	-	37921 016 55
4 Fender cleat	stainless steel	4	11	-	32	10	-	3.2	-	37929 008 56
		5	13	-	40	11	-	4.2	-	37929 010 56
		6	16	-	44	14	-	5.2	-	37929 012 56
5 WICHARD fender cleat	stainless steel	8	17	-	47	14	-	5.2	-	37929 016 56
		4	11	-	30	8	-	4	9201	37925 008 55
		5	13	-	37	10	-	5	9202	37925 010 55
6 Fender cleat	AISI 304, stainless steel	6	16	-	44	12	-	6	9203	37925 012 55
		8	21	-	59	16	-	8	9204	37925 016 55
		6	13.0	62.5	48.5	25.5	-	5.8	-	33012 025 56
7 WICHARD webbing eye strap	for belts, stainless steel	6	15.5	67	53.5	31.0	-	5.8	-	33012 031 56
		6	15.5	82	67.5	41.0	-	5.8	-	33012 041 56
		-	5	-	56	28	-	4	9211	33010 028 55
8 WICHARD reefing eye strap	stainless steel	-	10	-	65	34	-	5	9212	33010 034 55
		10	-	-	15	35	-	6	9415	33015 000 55
9 Thimble	medium strong, AISI 316, stainless steel	4	-	-	24	14	3	-	-	36530 003 56
		5	-	-	32	16	4	-	-	36530 004 56
		6	-	-	35	21	5	-	-	36530 005 56
		7	-	-	41	26	6	-	-	36530 006 56
		9	-	-	50	35	8	-	-	36530 008 56
		11	-	-	58	42	10	-	-	36530 010 56
14	-	-	75	48	12	-	-	36530 012 56		




Mast- & eyeplates

ARTICLE	B (mm)	L (mm)	L1 (mm)	L2 (mm)	H (mm)	H1 (mm)	D (mm)	Ø (mm)	ARTICLE NO.
1 Eyeplate oval AISI 304	15	45	35	14	20	12	5	4.2	34255 001 56
	20	65	46	18	25	17	6	5.2	34255 002 56
	26	80	60	20	32	21	8	5.2	34255 003 56
	32	100	73	22	38	26	9	6.5	34255 004 56
2 Eyeplate round AISI 304	33	-	20	12	20	12	5	4.2	34256 001 56
	40	-	23	17	26	17	6	5.2	34256 002 56
	50	-	30	20	32	21	8	5.2	34256 003 56
3 Eyeplate square AISI 304	30	35	-	14	19	12	5	4.2	34257 001 56
	35	40	-	18	26	17	6	5.2	34257 002 56
	40	50	-	20	33	22	8	5.2	34257 003 56
4 Eyeplate rhombic AISI 304	37	59	-	11	22	12	5	4.2	34258 001 56
	40	64	-	15	26	15	6	4.2	34258 002 56
	50	80	-	18	33	20	8	5.2	34258 003 56
5 Mast plate AISI 304	24	63	-	30	-	20	-	-	38113 000 56
6 Mast plate AISI 304	40	50	-	32	-	22	-	-	38115 000 56
7 Mast plate AISI 304	-	-	-	32	-	22	-	-	38115 001 56

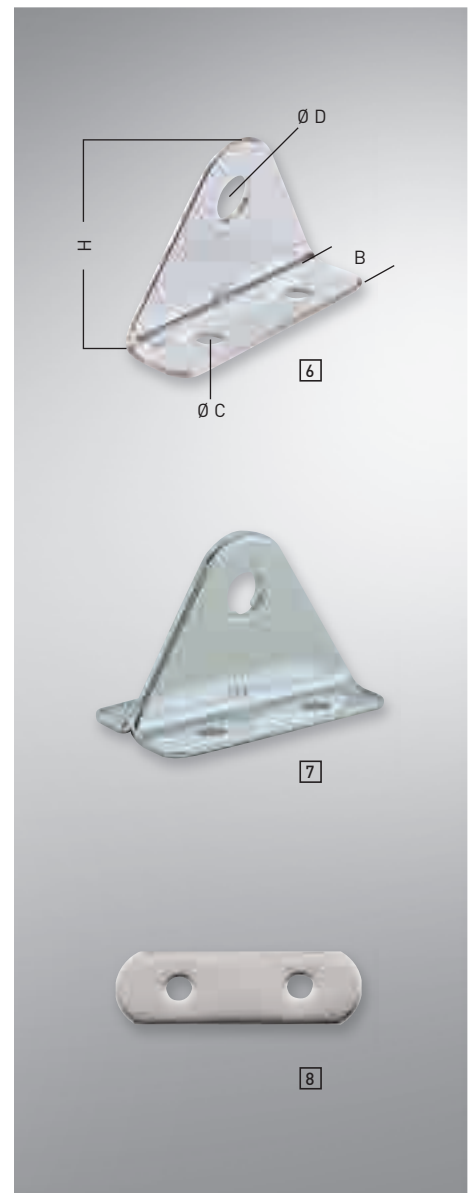
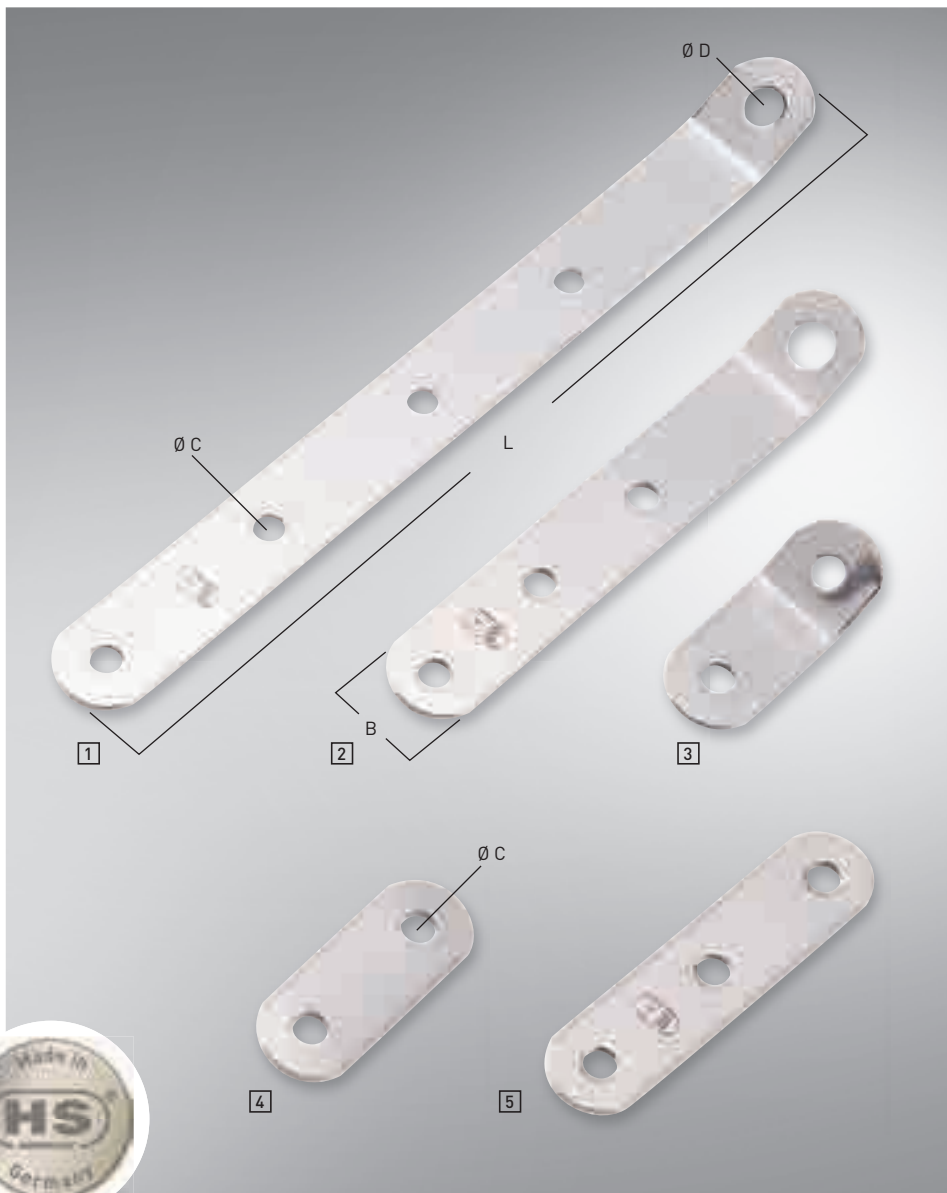
AT A GLANCE



Self service card



Stainless steel



Chain plates


AT A
GLANCE



Self
service
card



Stainless
steel

ARTICLE	L (mm)	B (mm)	Ø C (mm)	Ø D (mm)	H (mm)	 (mm)	ARTICLE NO.
1 Chain plate stainless steel	205	20	6.2	8.2	-	1.5	38893 000 55
2 Chain plate stainless steel	125	20	6.2	8.2	-	2.0	38892 000 55
3 Chain plate stainless steel	51	20	6.2	6.5	-	1.5	38890 000 55
4 Chain plate stainless steel	50	20	6.0	-	-	2.0	38931 000 55
5 Chain plate stainless steel	80	20	6.0	-	-	2.0	38930 000 55
6 Chain plate stainless steel	50	15	5.0	8.0	33	-	38870 000 55
7 Chain plate stainless steel	50	30	5.0	8.0	33	-	38871 000 55
8 Counter plate stainless steel, suitable for 6 38870 and 7 38871	50	15	5.0	-	-	-	38875 000 55



Bow Plates

ARTICLE	L (mm)	B (mm)	C (mm)	Ø (mm)	ARTICLE NO.
1 Bow plate stainless steel	75	40	31	5	38945 000 55
2 Bow plate stainless steel	85	45	30	5	38950 000 55
3 Bow plate stainless steel, heavy	100	53	40	7	38951 000 55
4 Boom strap stainless steel	50	52	12	-	37701 000 55
	62	57	12	-	37701 001 55
	75	60	15	-	37702 000 55
5 Bush stainless steel, for max. 12 mm rope	45	25	-	-	38069 000 55

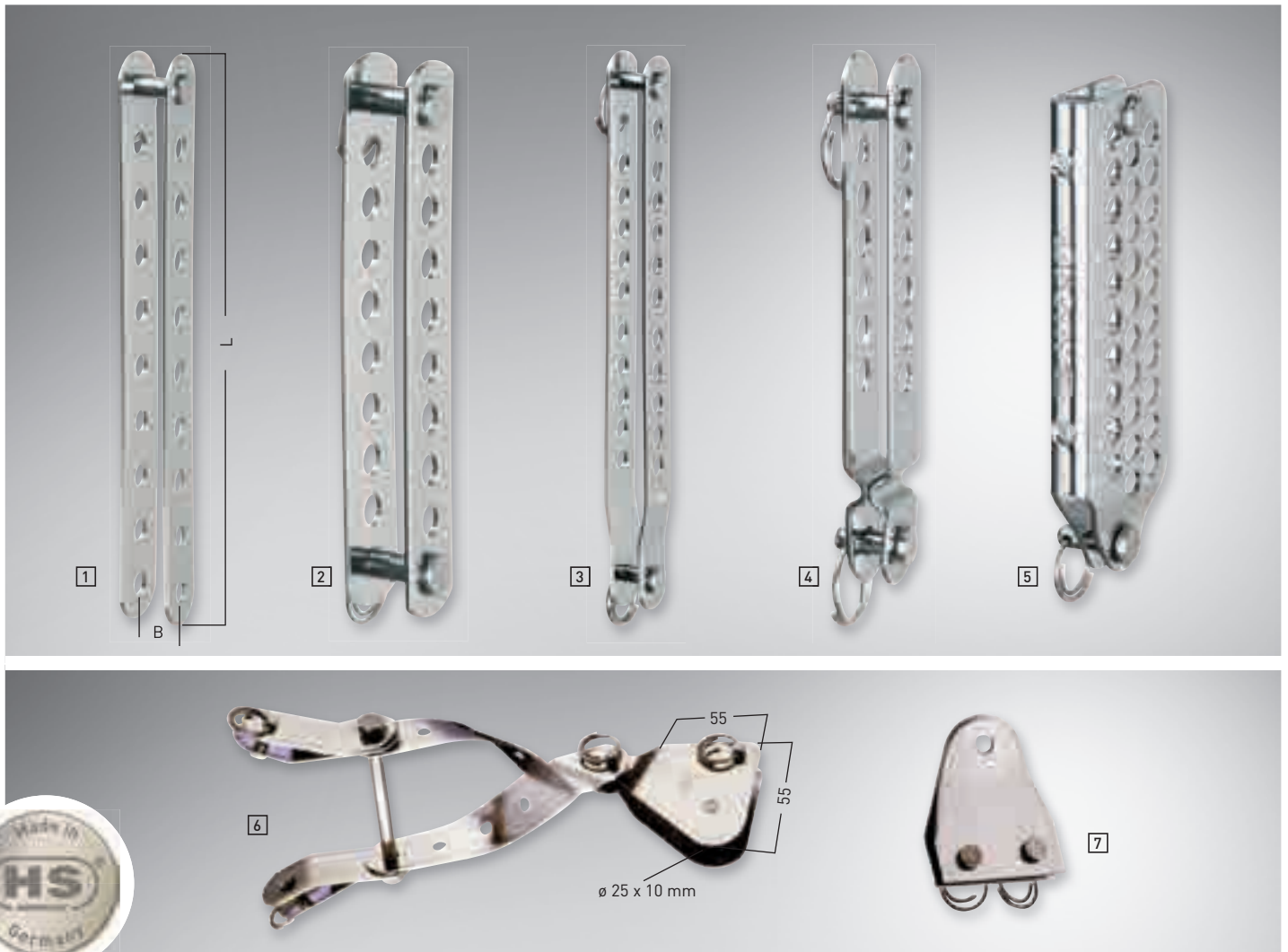
AT A GLANCE



Self service card



Stainless steel



Shroud Adjusters


AT A
GLANCE

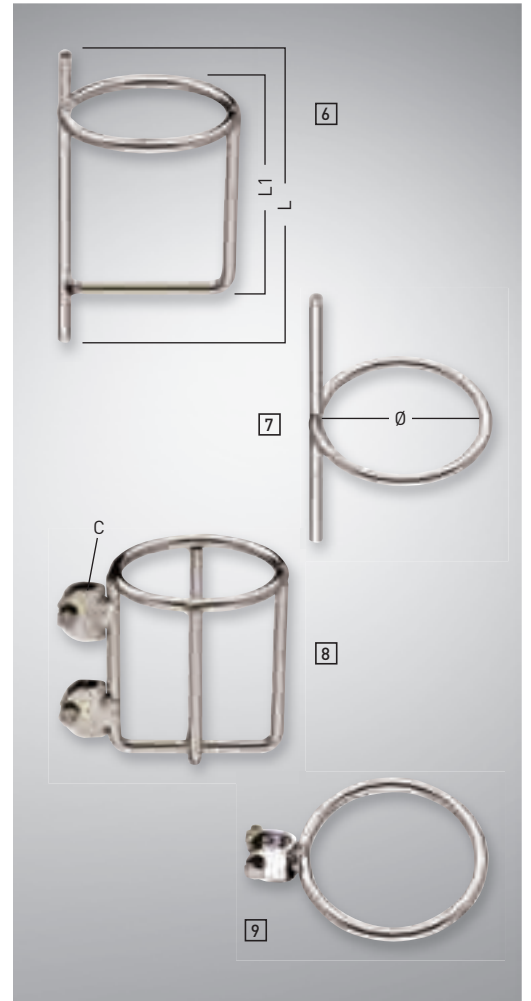


Self
service
card

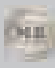

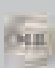




Stainless
steel

ARTICLE	Breaking load (kg)	L (mm)	B (mm)	Bolt Ø (mm)	 (mm)	ARTICLE NO.
1 Shroud Adjuster not cranked	1,300	165	20	6	1.5	36931 165 55
2 Shroud Adjuster not cranked	2,000	150	24	8 x 25	2.0	36953 150 55
3 Shroud Adjuster	900	100	15	5	1.5	36950 100 55
	900	155	15	5	1.5	36952 155 55
	900	200	15	5	1.5	36952 200 55
4 Shroud Adjuster	1,200	104	15	5	1.5	36960 104 55
5 Shroud Adjuster very strong, each 3 rows side by side thus precisely adjustable	1,400	120	35	6	2	36970 120 55
	900	120	35	5	1.25	36971 120 55
6 Hound fitting with shroud adjusters, turnable forestay halyard and block sheave 25x10 mm for wood and aluminum masts	-	-	-	-	1.5	36990 000 55
Foresail sheave 25x10 mm, single	-	-	-	-	1.5	168 15
Fork part, single	-	-	-	-	1.5	155 12
7 Cheek strap	-	-	-	-	-	36991 001 55



Boat hooks

ARTICLE		L (mm)	Ø (mm)	L1 (mm)	C (mm)	ARTICLE NO.
1	Telescopic boat hook seawater-resistant aluminum, silver, anodised, inner lock	1,200 / 2,050	30	-	-	39055 120 00
2	Telescopic boat hook seawater-resistant aluminum, silver, anodised, inner lock	1,200 / 2,000	25/28	-	-	39055 201 00
3	Boat hook simple seawater-resistant aluminum, silver, anodised	1,250 1,500	25 25	- -	- -	39055 125 00 39055 150 00
4	Lockable boat hook seawater-resistant aluminum, silver, anodised, multi-stage (by pressing the red button) without risking unintentional pushing together	1,200 / 2,200	32	-	-	39055 212 00
5	Boat hook peak brass I. polished		155	19	-	26 34530 155 30
6	Boat hook holder simple, fixing e.g. with tape, clamp or cable strap, stainless steel		102	52	60	- 34483 002 55
7	Boat hook holder simple, fixing e.g. with tape, clamp or cable strap, stainless steel		102	52	-	- 34483 001 55
8	Boat hook holder stainless steel		-	54	79	up to 7 mm wire 34484 002 55
9	Bolting ring for boat hooks stainless steel		-	54	-	up to 7 mm wire 34484 001 55



Gloves

- Excellent fit
- Palms completely enhanced by double leather
- Back of the hand is made of an elastic polyamide
- Comfortable wearing and grip, independent of temperature
- Elastic glove wrist band with wide fastener ensures a high wearing comfort

AT A GLANCE



Real leather

Size	Art. no.
XXS	... 000
XS	... 001
S	... 002
M	... 003
L	... 004
XL	... 005
XXL	... 006

ARTICLE	Farbe	Größen (bitte Nummer angeben)	ARTICLE NO.
1 Gloves made of calf leather completely closed	blue/offwhite	S - XXL	39734 ... 00
2 Gloves made of calf leather thumb and forefinger without tip	blue/offwhite	XXS - XXL	39732 ... 00
3 Gloves made of calf leather without fingertips	blue/offwhite	XXS - XXL	39733 ... 00
4 Gloves made of goat leather thumb and forefinger without tip	blue/offwhite	XXS - XXL	39720 ... 00
5 Gloves made of goat leather without fingertips	blue/offwhite	XXS - XXL	39721 ... 00
6 Gloves made of goat leather completely closed	black*	M - XXL	39728 ... 00
7 Gloves made of goat leather thumb and forefinger without tip	black*	S - XXL	39726 ... 00
8 Gloves made of goat leather without fingertips	black*	S - XXL	39727 ... 00

* Leather is a natural product. Therefore slight bleeding, especially regarding black leather, cannot be excluded.



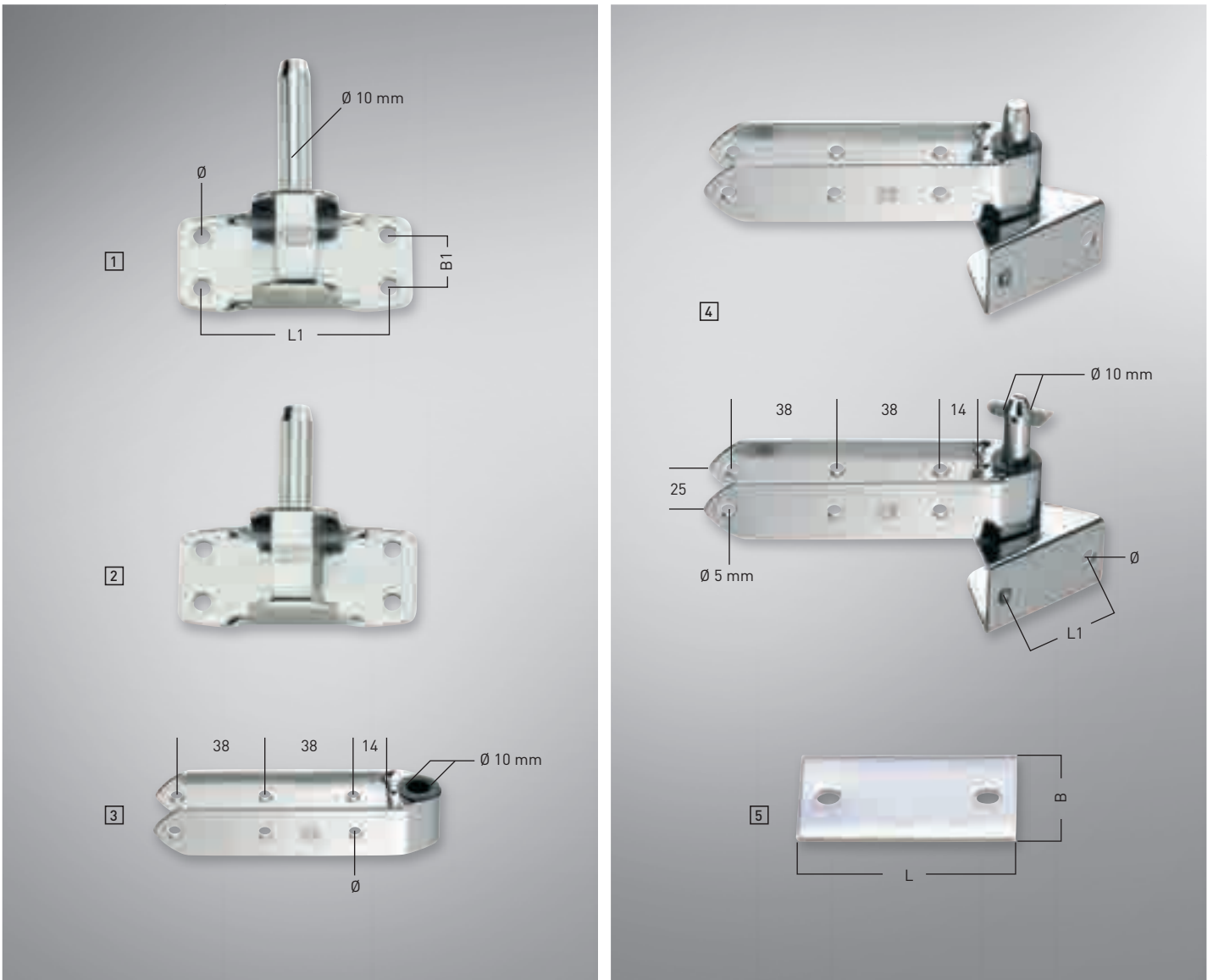
AT A GLANCE

Self service card

Rubber rope & accessories

ARTICLE	L (mm)	Coil (m)	Wire-Ø (mm)	ARTICLE NO.
1 Rubber rope white on coil with tracer thread, delivery only in complete coils	-	100	3	39780 003 00
	-	100	4	39780 004 00
	-	100	5	39780 005 00
	-	75	6	39780 006 00
	-	75	8	39780 008 00
2 Rubber rope black on coil with tracer thread, delivery only in complete coils	-	100	3	39788 003 00
	-	100	4	39788 004 00
	-	100	5	39788 005 00
	-	75	6	39788 006 00
	-	75	8	39788 008 00
3 Sail embedder with plastic hook, self-service packaging à 4 pieces in a bag (alternatively: 25 pieces loose in a bag)	70	-	2 x 4	39781 007 00
	150	-	2 x 4	39781 015 00
	250	-	2 x 4	39781 025 00
	300	-	2 x 4	39781 030 00
	350	-	2 x 4	39781 035 00
	400	-	2 x 4	39781 040 00
	500	-	2 x 4	39781 050 00
550	-	2 x 4	39781 055 00	
600	-	2 x 4	39781 060 00	
700	-	2 x 4	39781 070 00	
4 Gasket with SPRENGER imprint	2,000	-	-	39789 200 00

ARTICLE	L (mm)	For wire-Ø (mm)	Ø (mm)	ARTICLE NO.
5 Sail embedder with ball, self-service packaging à 4 pieces in a bag	250	-	2 x 4	39782 025 00
	400	-	2 x 4	39782 040 00
	500	-	2 x 4	39782 050 00
	600	-	2 x 4	39782 060 00
6 Sail embedder stepless adjustable self-service packaging à 4 pieces in a bag	550	-	5	39783 055 00
	750	-	6	39783 075 00
7 Nylon hook for rubber rope self-service packaging à 5 pieces in a bag	40	4 - 5	-	39784 040 00
8 Nylon hook for rubber rope self-service packaging à 5 pieces in a bag	50	to 8	-	39785 050 00
9 Quick fastener for rubber rope continuously adjustable, self-service packaging à 5 pieces in a bag	40	5 - 6	-	39786 040 00



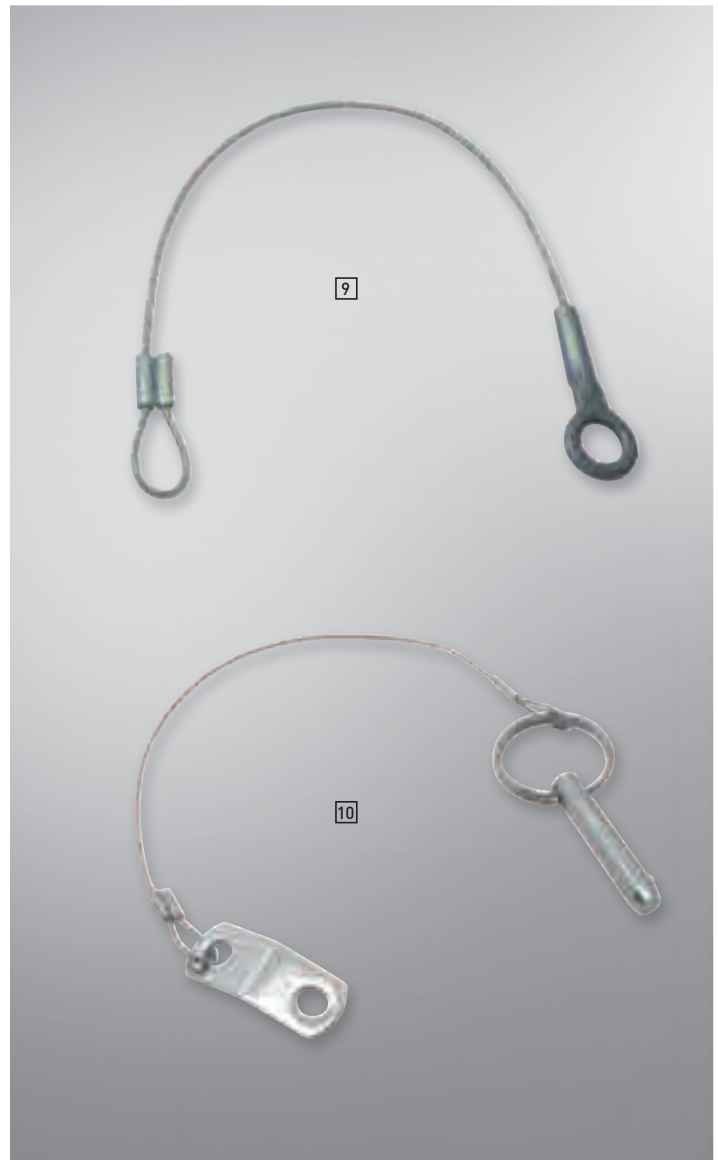
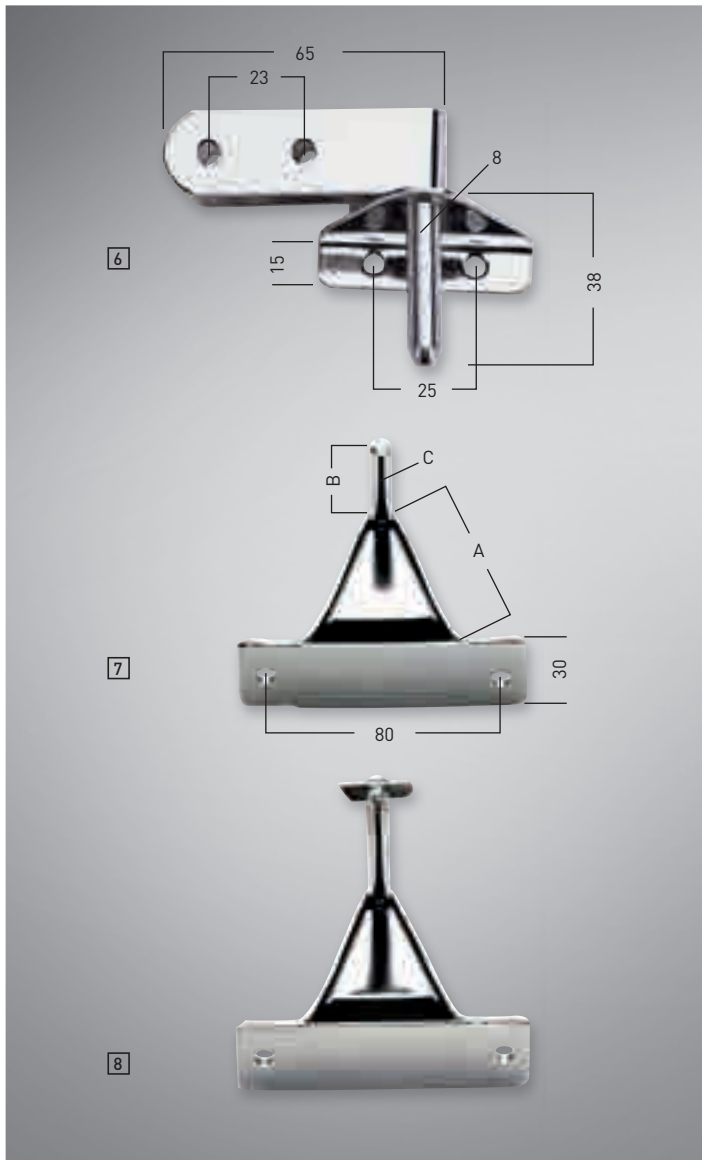
Tiller fittings

AT A
GLANCE

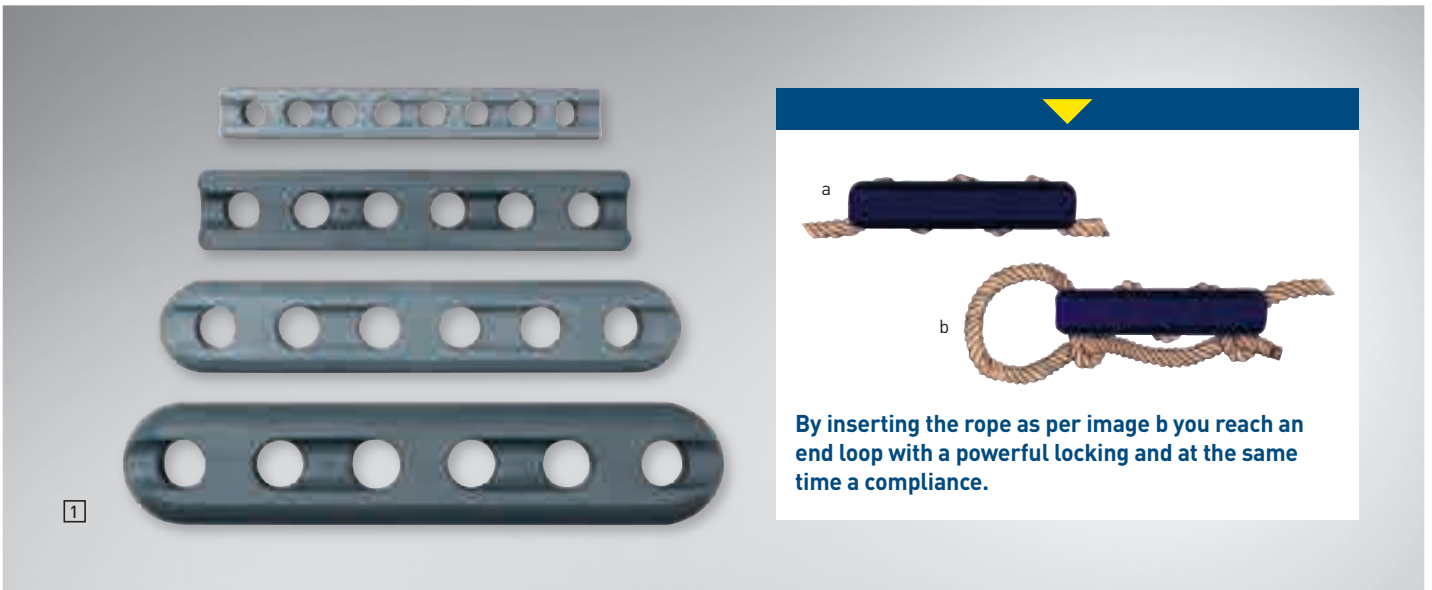


Stainless
steel

ARTICLE	Length bolt (mm)	Boring (mm)	L (mm)	L1 (mm)	B (mm)	B1 (mm)	ARTICLE NO.
1 Tiller fitting stainless steel, very solid	41.5	5.3	-	55.5	-	16	38794 001 55
2 Tiller fitting stainless steel, very solid	31.5	5.3	-	55.5	-	16	38794 002 55
3 Rudder fork stainless steel, suitable for 1 and 2	-	5.0	122	38.0	-	-	38794 004 55
4 Rudder fitting (pair) stainless steel, very solid forks, with locking bolt	-	5.0	-	34.0	-	-	38818 045 55
5 Counter plate to 4 stainless steel	-	6.0	55	34.0	30	-	38831 000 55



ARTICLE		A (mm)	B (mm)	C (mm)	Length (mm)	Boring distance (mm)	Bolt (mm)	ARTICLE NO.
6	Rudder fittings for Optimist and other small dinghies stainless steel	-	-	-	65	23	8	36230 000 55
7	Tiller fitting stainless steel, very solid	75	35	8	-	-	-	38807 000 55
8	Tiller fitting with safety clevis pin stainless steel, very solid	75	45	8	-	80	-	38806 000 55
9	Safety wire AISI 304, stainless steel	-	-	-	145	-	-	33742 125 56
10	Rudder locking AISI 316, stainless steel	-	-	-	25	-	6	33741 000 56



Shock absorber

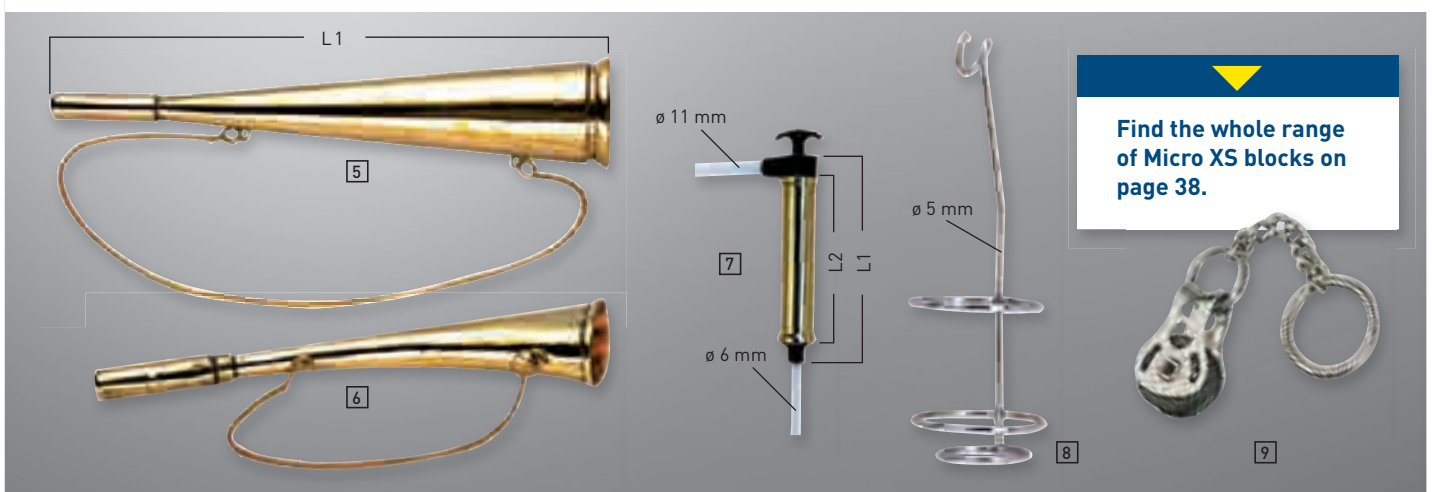
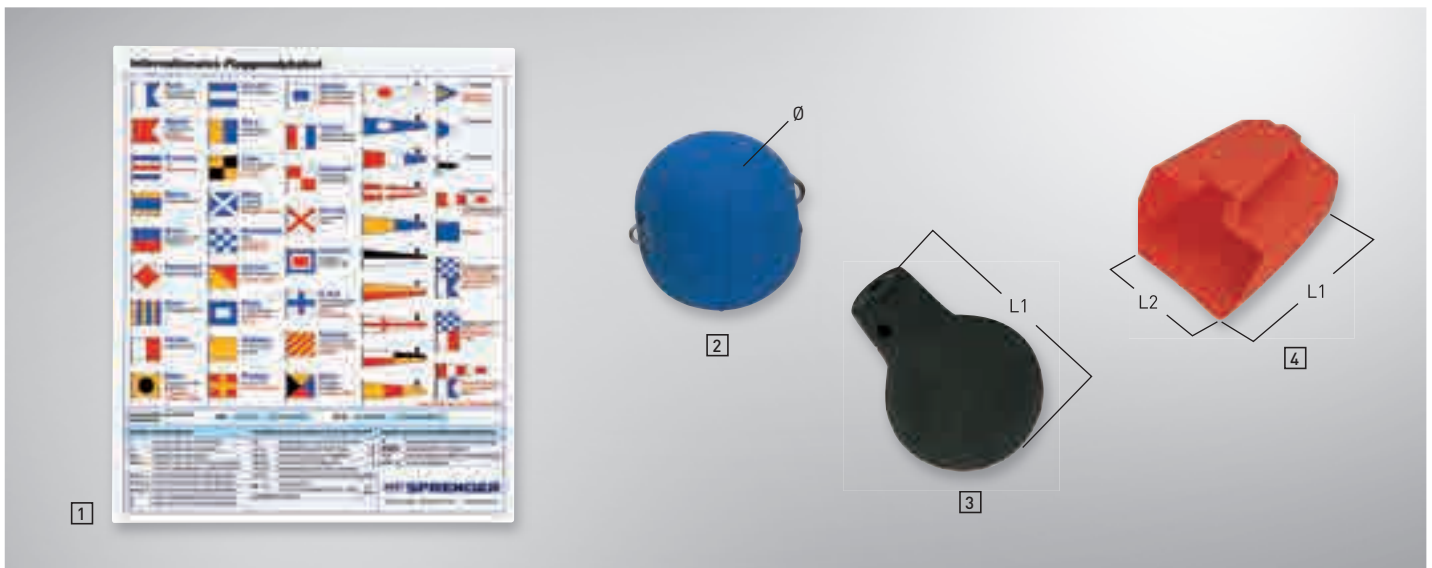
ARTICLE	For rope-Ø (mm)	Length (mm)	Spring travel (mm)	Wire-strength (mm)	B (mm)	For boats (m)	ARTICLE NO.
1 Shock absorber rubber	10	150	100-150	-	-	-	37810 001 00
	12-14	210	120-160	-	-	-	37810 002 00
	14-16	250	160-200	-	-	-	37810 003 00
	18-20	320	180-220	-	-	-	37810 004 00
2 Shock absorber rubber	12	430	-	-	-	6	37811 001 00
	16	495	-	-	-	10	37811 002 00
	20	570	-	-	-	15	37811 003 00
The lengthening of the tension spring can be varied by the number of turns. 1 - 3 turns possible.							
3 Shock absorber AISI 316, stainless steel	-	270	-	5	50	6	37804 001 56
	-	320	-	6	60	8	37804 002 56
	-	320	-	7	70	11	37804 003 56



SPRENGER – OUR CLAIM:

»No compromises in quality, availability and cooperation. All customers can benefit from an optimal consulting and support even after the sale.«





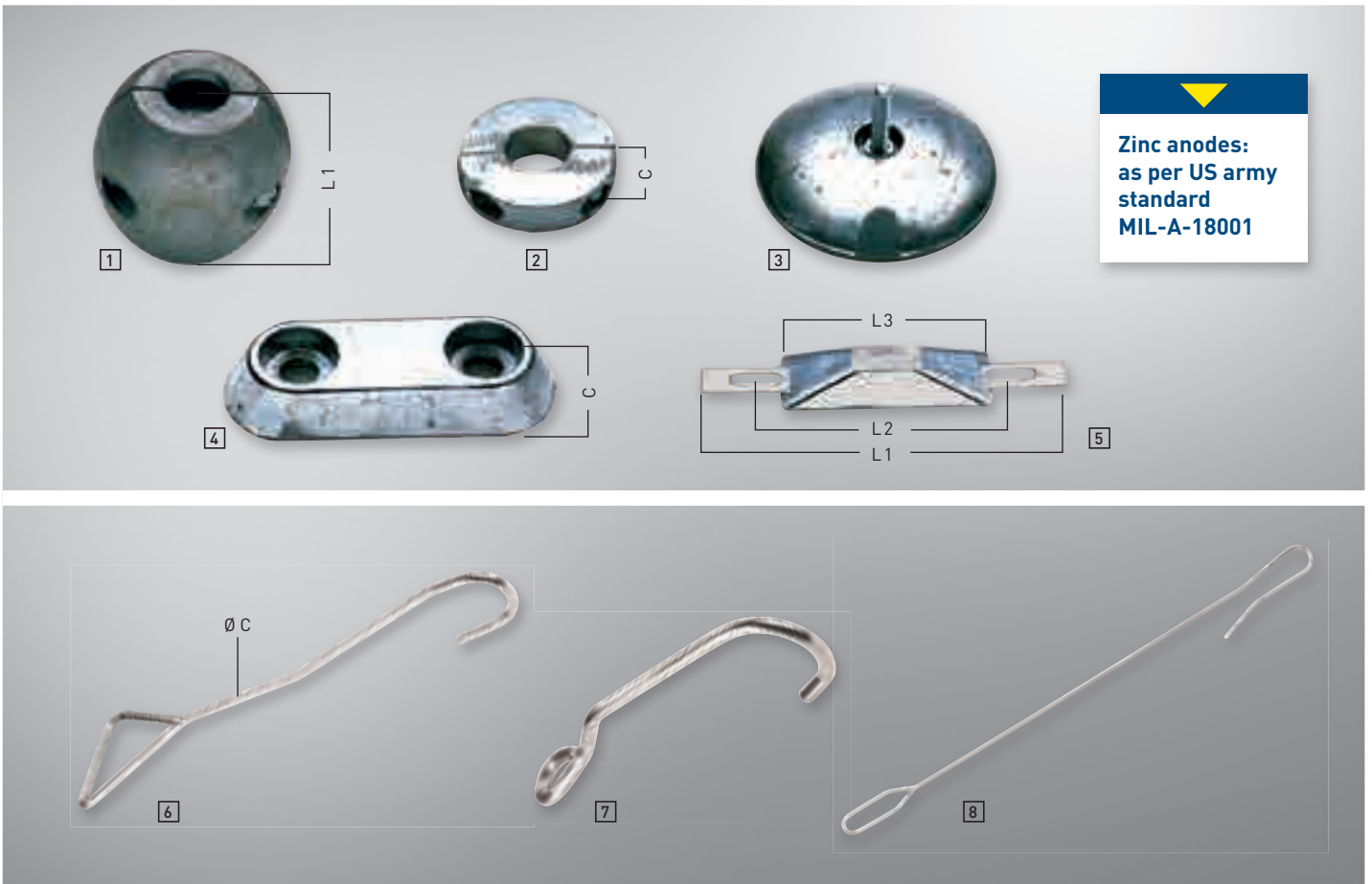
▼
Find the whole range
of Micro XS blocks on
page 38.

Accessories

ARTICLE	L1 (mm)	L2 (mm)	Ø (mm)	ARTICLE NO.
1 International flag code adhesive, measurements: 170 x 200 mm	-	-	-	33980 000 00
2 Bailer ball rubber, blue	-	-	60	37030 001 00
3 Bailer ball rubber, black	67	-	48	37030 067 00
4 Dipper plastic	180	140	-	39057 465 00
5 Mist horn straight brass polished l., with chain	330	-	-	32550 000 30
6 Mist horn bent brass polished l., with chain	270	-	-	32551 000 30
7 Hand oil pump with 2 plastic special tubes to pump out, oil- and fuel tanks, brass	200	155	-	37110 000 00
8 Bottle holder stainless steel, Ø niro/wire: 5 mm, inner-Ø of the two large rings ca. 75 mm	 240	-	-	34040 075 55
9 Key fob »Micro XS« stainless steel	 -	-	-	39710 000 55



ARTICLE	A (mm)	For boom (mm)	Cage (mm)	L (mm)	Sheaves (mm)	Stroke (mm)	ARTICLE NO.
10 Reefing claw seawater-resistant aluminum, silver, anodised	71	65	-	-	-	-	35820 065 54
	93	85	-	-	-	-	35820 085 54
	118	100	-	-	-	-	35820 100 54
Spare parts for reefing claws For one reefing claw are needed:							
2 x loose sheave	-	-	-	-	-	-	170 20
2 x U-plate	-	-	-	-	-	-	123 36
2 x axle with sheave	-	-	-	-	-	-	127 62
11 Reefing claw stainless steel, material thickness 6 mm, very solid	93	85	-	-	-	-	35822 085 55
12 Reefing claw connection bar seawater-resistant aluminum, anodised, silver with inserted M8 bolt made of stainless steel, with screwed nuts and 3 holes	-	-	-	300	-	-	35851 300 54
13 Anchor ball black, plastic, Ø 35 cm	-	-	-	350	-	-	38995 000 00
14 Signal cone black, plastic, foldable, 35 x 34 cm	-	-	-	-	-	-	38996 000 00
15 Adjustable mast chock seawater-resistant aluminum, black, anodised, with rope			30 x 30	300	6	205	36616 000 53
			40 x 40	320	8	205	36618 005 53
16 Hook, suitable for 36616 and 36618 stainless steel	-	-	-	-	-	-	132 18



Zinc anodes:
as per US army
standard
MIL-A-18001

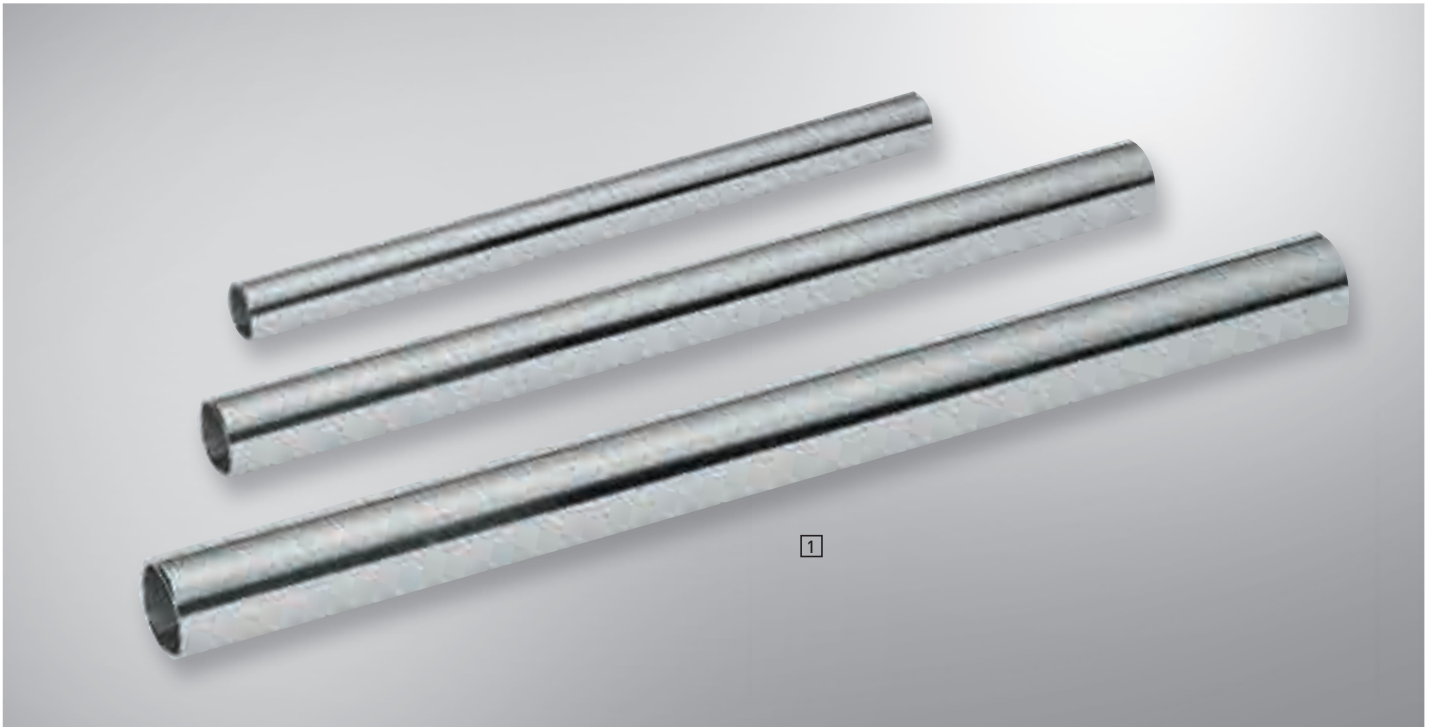
Anodes & hooks

ARTICLE	Type	∅ inner (mm)	∅ outer (mm)	L1 (mm)	L2 (mm)	L3 (mm)	C (mm)	⚖️ (kg)	ARTICLE NO.
1 Wave anode nut-shaped	NX 19	19	58	55	-	-	-	0.555	32850 019 00
	NX 25	25	58	55	-	-	-	0.535	32850 025 00
	NX 30	30	58	55	-	-	-	0.465	32850 030 00
	NX 34	34	64	64	-	-	-	0.675	32850 034 00
	NX 35	35	64	64	-	-	-	0.655	32850 035 00
	NX 40	40	70	70	-	-	-	0.840	32850 040 00
	NX 50	50	90	90	-	-	-	1.700	32850 050 00
2 Wave anode flat	CO 25	25	58	-	-	-	15	0.195	32855 025 00
	CO 30	30	67	-	-	-	16	0.280	32855 030 00
	CO 35	35	65	-	-	-	25	0.250	32855 035 00
3 Rudder anode 2 plates with screw	RO 75	-	75	-	-	-	16	0.545	32825 075 00
	RO 108	-	108	-	-	-	20	1.430	32825 108 00
	RO 128	-	128	-	-	-	21	2.600	32825 128 00
4 Hull anode	AB 9	-	-	148	80	-	25	-	32826 009 00
	AB 21	-	-	249	140	-	30	-	32826 021 00
	AB 30	-	-	300	200	-	33	-	32826 030 00
5 Hull anode	ZA 2.5	-	-	160	120	95	15	0.25	32840 002 00
	ZA 5	-	-	165	135	115	20	0.50	32840 005 00
	ZA 10	-	-	215	180	135	28	1.00	32840 010 00
	ZA 20	-	-	210	180	140	32	2.00	32840 020 00
	ZA 35	-	-	300	260	220	30	3.50	32840 035 00
6 Lock hook AISI 316, stainless steel	-	-	-	510	-	-	10	-	37815 000 56
7 Lock hook AISI 316, stainless steel	-	-	-	245	-	-	10	-	37816 000 56
8 Buoy hook AISI 316, stainless steel	-	-	-	1,160	-	-	10	-	37817 000 56



Anchor & accessories

ARTICLE	Breaking load (kg)	For chain (mm)	L (mm)	Boat length (m)	Chain forward movement (mm x m)	Weight (kg)	ARTICLE NO.
1 Folding anchor (umbrella anchor) AISI 316, stainless steel	-	-	-	-	-	0.7	39005 007 56
	-	-	-	-	-	1.5	39005 015 56
	-	-	-	-	-	2.5	39005 025 56
2 Folding anchor (umbrella anchor) iron hot-dip galvanized	-	-	250	< 2	6 x 4	0.7	39005 007 10
	-	-	300	< 3	6 x 4	1.5	39005 015 10
	-	-	360	< 4	6 x 6	2.5	39005 025 10
	-	-	410	< 5	6 x 6	3.2	39005 032 10
	-	-	450	< 6	8 x 4	4.0	39005 040 10
	-	-	550	< 6	8 x 4	6.0	39005 060 10
	-	-	570	< 7	8 x 4	8.0	39005 080 10
	-	-	620	< 8	8 x 6	10.0	39005 100 10
3 Anchor chain connector AISI 316, stainless steel	2,800	6-8	90	-	-	-	38980 001 56
	2,800	10-12	115	-	-	-	38980 002 56
4 Anchor chain connector AISI 316, stainless steel	1,500	6-8	95	-	-	-	38981 001 56
	6,000	10-12	110	-	-	-	38981 002 56
5 Anchor chain connector AISI 316, stainless steel	1,500	6-8	120	-	-	-	38982 001 56
	6,000	10-12	169	-	-	-	38982 002 56
6 Spiral stake stainless steel, for small boats, canoes and cajaks, tents etc.	-	-	435	-	-	-	39009 000 56
7 Spiral stake iron chrome plated, for small boats, canoes and cajaks, tents etc.	-	-	435	-	-	-	39009 000 02



Spray hood fittings

AT A GLANCE



Self service card



Stainless steel

SERVICE

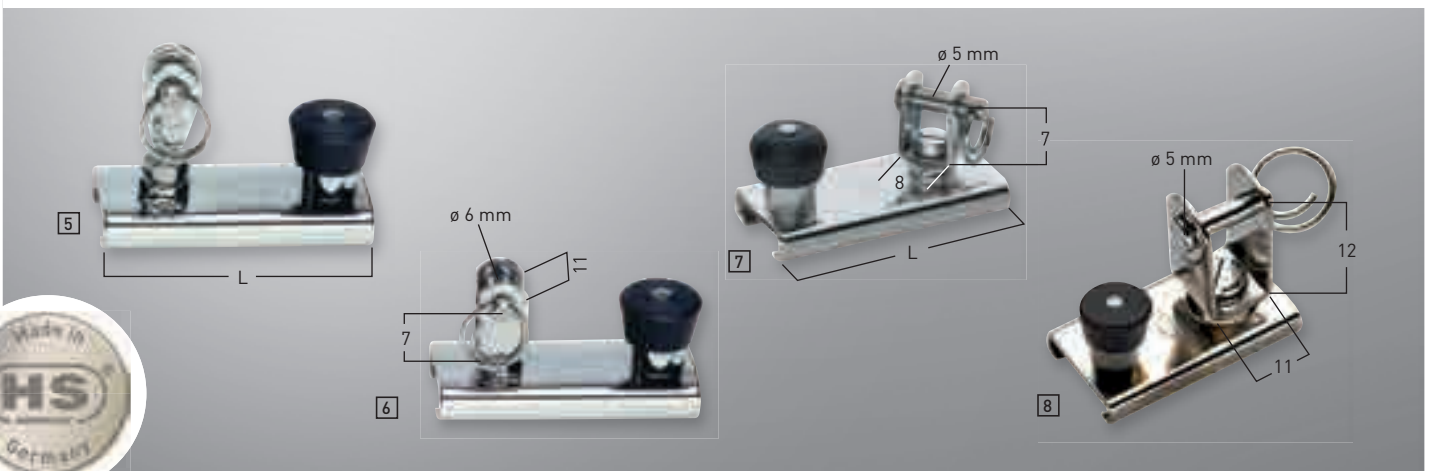
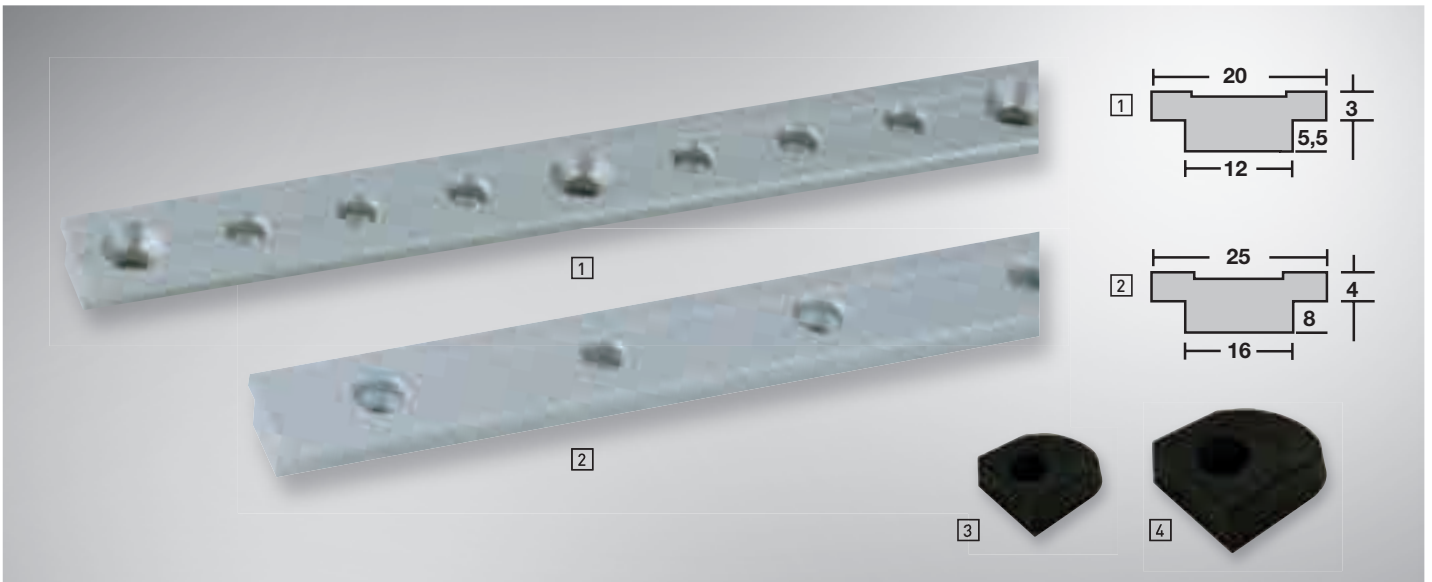


- Special delivery for Stainless steel tubes (1)

ARTICLE	For tube Ø (mm)	Ø outside (mm)	(mm)	ARTICLE NO.
1 Stainless steel tube Stainless steel, welded, annealed, high gloss polished, production lengths of app. 6 m, single-packed in tubular film, 10 lengths each 6 m packed in bubble wrap No delivery of smaller quantities/lengths. Only available in units of each 10 tubes / 60 m.	-	20	1,5	36160 600 55
	-	22	1,5	36162 600 55
	-	25	1,5	36165 600 55
2 Tube joint AISI 316, stainless steel	22	-	-	32627 022 56
	25	-	-	32627 025 56
3 Foot 90° AISI 316, stainless steel	22	-	-	33916 022 56
	25	-	-	33916 025 56
4 Foot 60° AISI 316, stainless steel	22	-	-	33915 022 56
	25	-	-	33915 025 56



ARTICLE	For tube Ø (mm)	L (mm)	B (mm)	ARTICLE NO.
5 End piece AISI 316, stainless steel	20	58	-	32604 020 56
	22	58	-	32604 022 56
	25	58	-	32604 025 56
6 Adjustable end piece AISI 316, stainless steel	22	-	-	32628 022 56
	25	-	-	32628 025 56
7 Middle piece AISI 316, stainless steel	20	-	-	32605 020 56
	22	-	-	32605 022 56
	25	-	-	32605 025 56
8 Foldable joint piece AISI 316, stainless steel	22	-	-	32630 022 56
	25	-	-	32630 025 56
9 Hinge bent AISI 316, stainless steel, bolt replaceable	-	60	18	32625 000 56
10 Hinge bent AISI 316, stainless steel, bolt replaceable, with curved ground plate	-	60	18	32623 000 56
11 Hinge bent AISI 316, stainless steel	10°	60	18	32606 000 56
	90°	60	18	32624 000 56
12 Deck hinge AISI 316, stainless steel	-	70	25	32626 000 56
13 Cheek plate AISI 316, stainless steel	-	50	23	32608 000 56



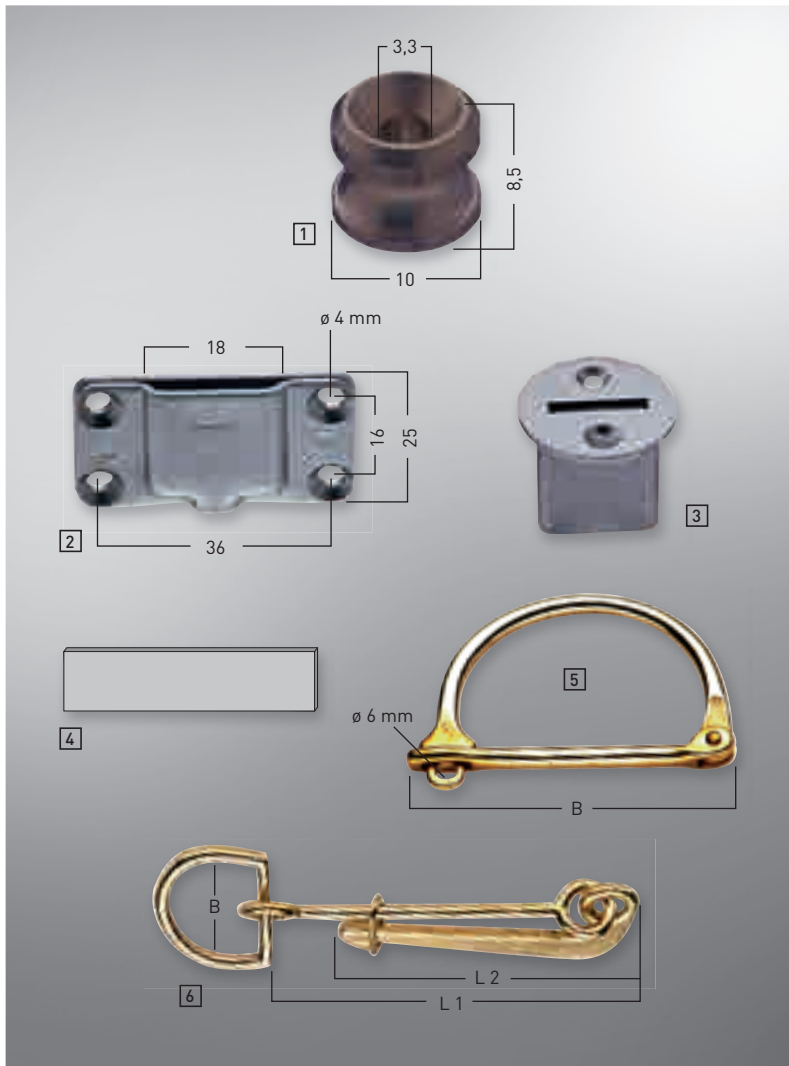
Spray hood fittings

SERVICE



- Special delivery for T-profile track of a length from 120 cm

ARTICLE	Lengths (mm)	ARTICLE NO.
1 T-profile track 20 x 3 mm aluminum, seawater resistant anodised, silver	300	35455 030 54
	400	35455 040 54
	500	35455 050 54
	1,000	35455 100 54
	1,500	35455 150 54
	2,000	35455 200 54
2 T-profile track 25 x 4 mm aluminum, seawater resistant anodised, silver	1,000	35457 100 54
	1,500	35457 150 54
	2,000	35457 200 54
	2,500	35457 250 54
3 End pieces for track 35455, 1 pair	-	35459 020 63
4 End pieces for track 35457, 1 pair	-	35459 025 63
5 Slide for 25 x 4 track fork part for spray hoods, with a welded nut M8 and counter nut, stainless steel	65	35528 025 55
6 Slide for 25 x 4 track with swivel, stainless steel	65	35558 025 55
7 Slide with swivel for 20 x 3 track with U-part suitable for spray hood fittings 32604, stainless steel	45	35560 020 55
8 Slide with swivel for 20 x 3 track stainless steel	45	35558 020 55



Accessories

ARTICLE		B (mm)	L 1 of (mm)	L 2 to (mm)	Steps	ARTICLE NO.	
1	Tarpaulin button brass naturally bare	-	-	-	-	32790 000 33*	
2	Flange for tarpaulin steel for screwing brass I. polished Stainless steel		-	-	-	34150 018 30 34150 018 55	
3	Flange for tarpaulin steel for inserting brass I. chrome plated, inner width 18 mm		-	-	-	34190 018 32	
4	Tarpaulin steel 18 x 2 mm Hardened, hot-zinc dipped spring band steel with rounded borders delivery only in complete coils, price per kg app. 15 - 20 kg (15 kg = app. 50 m)	-	-	-	-	36190 000 22	
5	Laundry bag bow brass II. polished		105	-	-	33110 105 33	
6	Slip hook brass II. polished		45	155	125	-	37301 000 33
7	Bathing ladder AISI 316, stainless steel, telescopic, suitable for mounting on bathing platforms, steps are plated with UV-resistant PVC	255 255	380 400	875 1,165	3 4	38669 003 56 38669 004 56	

* only while stocks last



Sun canopy for boats

- textile parts:
saltwater and UV resistant
- Tubes made of aluminum anodised

SERVICE



- Special delivery for all sun canopy for boats »Bimini«

ARTICLE	Colour	Length (cm)	Breadth (cm)	Height (cm)	ARTICLE NO.
1 Bimini with 2 stakes	white	180	130	110	32640 130 00
	white	180	150	110	32640 150 00
	blue	180	130	110	32640 131 00
	blue	180	150	110	32640 151 00
2 Bimini with 3 stakes	white	180	150	140	32641 150 00
	white	180	170	140	32641 170 00
	white	180	185	140	32641 185 00
	white	180	200	140	32641 200 00
	white	180	225	140	32641 225 00
3 Vacuum cup for Bimini self-adhesive	plastic grey				32642 000 00
4 Joint piece for Bimini	plastic white				32643 000 00
5 Connector for Bimini	plastic white				32644 000 00
6 T-piece for Bimini	is put inside insertion bush image 5 for acceptance of end piece image 6				32645 000 00
7 Insertion bush for Bimini	for acceptance of T-piece image 4				32646 000 00
8 End piece for Bimini	is inserted in T-piece image 4				32647 000 00



Jib furling system

- One rope operation for dinghies and small cruisers
- With stainless steel ball bearing and fittings
- Reel body made of glass fibre reinforced plastic

ARTICLE	Bearing	Sheaves Ø (mm)	For foresail (qm)	ARTICLE NO.
1 Jib furling system fabric-base laminate	-	76	approx. 5,6	34477 000 60
2 Jib furling system fabric-base laminate	-	95	approx. 9	34478 000 60
3 Swivel, ball bearing aluminum anodised, suitable for 34477 and 34478, suitable leading eye 34475 000 55 (w/o image)		-	-	34477 001 00



MAJONI Fender

Advantages of the MAJONI fender:

- Excellent quality
- With brass valve
- Inflatable with fender pump or compressor

Care instructions:

Please rinse with clear water or – if heavily soiled – with soapy water or a special cleaner.

▼

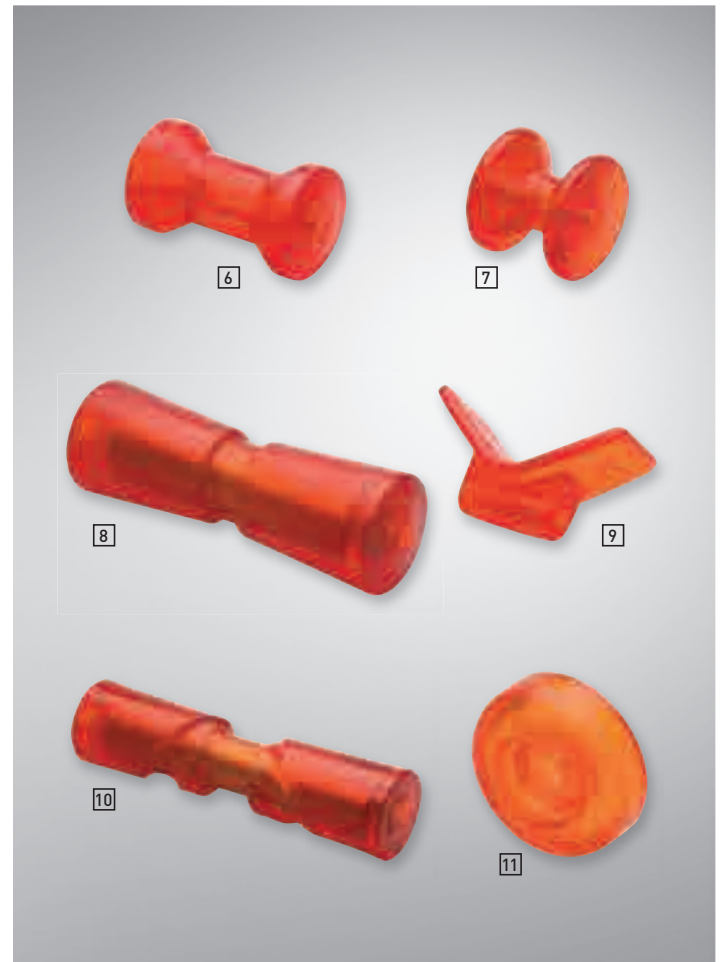
Fender are delivered without air content.

ARTICLE		Size	Ø x length (cm)	Weight (gr)	ARTICLE NO.
1 MAJONI cylinder fender blue		0	9 x 30	300	34080 100 00
		1	10 x 42	350	34080 101 00
		2	12 x 55	700	34080 102 00
		3	16 x 60	1,200	34080 103 00
		4	22 x 65	2,100	34080 104 00
		5	25 x 80	3,000	34080 105 00
		6	30 x 90	4,200	34080 106 00
2 MAJONI combi fender blue, UV-resistant soft PVC, robust eye framing with patent valve made of brass (suitable for all pressure pumps)		1	12 x 45	500	34083 601 00
		2	15 x 52	800	34083 602 00
		3	21 x 64	1,600	34083 603 00
		4	30 x 82	3,000	34083 604 00
3 MAJONI combi fender dark blue, UV-resistant soft PVC, robust eye framing with patent valve made of brass (suitable for all pressure pumps)		1	12 x 45	500	34083 801 00
		2	15 x 52	800	34083 802 00
		3	21 x 64	1,600	34083 803 00
		4	30 x 82	3,000	34083 804 00
4 MAJONI combi fender white, UV-resistant soft PVC, robust eye framing with patent valve made of brass (suitable for all pressure pumps)		1	12 x 45	500	34083 501 00
		2	15 x 52	800	34083 502 00
		3	21 x 64	1,600	34083 503 00
		4	30 x 82	3,000	34083 504 00
5 MAJONI combi fender white/blue, UV-resistant soft PVC, robust eye framing with patent valve made of brass (suitable for all pressure pumps)		1	12 x 45	500	34083 901 00
		2	15 x 52	800	34083 902 00
		3	21 x 64	1,600	34083 903 00
		4	30 x 82	3,000	34083 904 00



Border full-material:
mounting with screws
(not included in delivery)
thus very quick and
easy possible.

ARTICLE	Colour	∅ inside/outside (mm)	H (mm)	B (mm)	Boost (appr. kg)	📦 (gr)	ARTICLE NO.
6 MAJONI Anchor buoy	orange		-	-	1.5	250	34089 000 00
	orange		-	-	4.5	500	34089 001 00
	orange		-	-	9.0	700	34089 002 00
	yellow		-	-	1.5	250	34089 100 00
	yellow		-	-	4.5	500	34089 101 00
	yellow		-	-	9.0	700	34089 102 00
7 MAJONI Ring fender UV-resistant soft PVC, inside ∅ 10 cm, outside-∅ 33 cm, with 6 eyes for rope up to ∅ 16 mm, protects the ship's side from the anchor	white	10/33	-	-	-	900	34088 000 00
	blue	10/33	-	-	-	900	34088 001 00
8 MAJONI Bow/stern-fender	white		320	370	-	650	34087 000 00
	blue		320	370	-	650	34087 001 00
9 MAJONI Box fender, L = 25 cm	blue		95	60	-	-	34085 001 00
10 MAJONI Box fender, L = 50 cm	blue		95	60	-	-	34085 002 00
11 MAJONI Box fender corner 220 x 220 mm outside / 190 x 190 mm inside	blue		95	60	-	-	34085 003 00



Keel roller

ARTICLE	For acceptance (mm)	Length (mm)	Loom (Ø mm)	Outside (Ø mm)	Ground-plate (mm)	Height (mm)	ARTICLE NO.
1 Keel roller Rubber, black	100	95	13	75	-	-	37820 100 00
	130	125	13	75	-	-	37820 130 00
	200	195	16	75	-	-	37820 200 00
2 Bow roller Rubber, black	75	70	13	75	-	-	37821 075 00
3 V-keel roller Rubber, black	200	195	16	80	-	-	37822 200 00
	250	245	16	80	-	-	37822 250 00
4 Side protection roller Rubber, black	100	100	16	62	-	-	37823 225 00
	150	150	16	62	-	-	37823 275 00
5 Bow protection Rubber, black	50	-	-	-	50 x 50	50	37824 050 00
	75	-	-	-	75 x 75	100	37824 075 00
	100	-	-	-	100 x 75	75	37824 100 00
6 STOLTZ Keel roller polyurethane, orange	100	95	13	75	-	-	37830 100 00
	130	125	13	75	-	-	37830 130 00
7 STOLTZ Bow roller polyurethane, orange	75	70	13	75	-	-	37831 075 00
8 STOLTZ V-keel roller polyurethane, orange	200	195	16	80	-	-	37832 200 00
9 STOLTZ Bow protection polyurethane, orange	75	-	-	-	75 x 75	100	37834 075 00
	100	-	-	-	100 x 75	75	37834 100 00
10 STOLTZ Keel roller polyurethane, orange	300	295	16	-	-	-	37835 300 00
11 End-cap for STOLTZ V-keelroller 37832 polyurethane, orange	-	-	16	80	-	-	37836 080 00



SPRENGER – OUR LOGISTICS AND STORAGE:

»We ensure a permanent high ability to deliver as well as the availability of all products for our customers.«





ANDERSEN Bailers

AT A
GLANCE



ARTICLE	Opening (cm ²)	Fitting section L x w (mm)	Outside measurements L x w (mm)	seal (mm)	(gr)	ARTICLE NO.
1 Mini , fitting from the outside for each hull thickness Suitable seal inside	9.3 -	73 x 37 -	92 x 56 -	- 4	80 -	37023 000 55 37024 002 71
2 Super Mini , fitting from the inside for hull thicknesses from 3 - 7 mm	10.8	82 x 38	105 x 60	-	170	37023 001 55
3 Super Mini Special for racing dinghies, opening of the bailer at hiking by rope without spring arm	25	85 x 40	-	-	175	37023 005 55
4 New Large , fitting from the outside specially for boats with large hull thicknesses Suitable seal inside	15 -	105 x 42 -	142 x 79 -	- 5	280 -	37023 002 55 37024 022 71
5 Super Medium for Pirat , fitting from the inside for hull thicknesses from 3 - 7 mm Seal inside Seal outside Seal outside Bailer net	16 - - - -	107 x 40 - - - -	134 x 66 - - - -	- 5 1 2 -	250 - - - -	37023 003 55 37024 032 71 37024 033 71 37024 034 71 37024 102 00
6 Super Max , fitting from the inside for hull thicknesses of 6 mm and more Suitable seal inside Bailer net	25.5 - -	107 x 57 - -	134 x 78 - -	- 2 -	320 - -	37023 004 55 37024 044 71 37024 103 00
7 Service Kits for bailers, composed of: 1 x inside seal 5 mm, 2 x outside seals 1 & 2 mm, 6 x rivets for reinstallation Super Mini Kit Super Medium Kit Super Max Kit Mini Kit (1 inside seal 5 mm) New Large Kit (1 inside seal 5 mm)						37024 301 00 37024 302 00 37024 303 00 37024 304 00 37024 305 00



Accessories for Opti and Dinghies

ARTICLE	L1 (mm)	L2 (mm)	Content (l)	Filled measured from seam to seam		ARTICLE NO.
				L1	L2	
1 SPRENGER hiking strap	400	240	-	-	-	38181 040 00
	600	440	-	-	-	38181 060 00
	800	640	-	-	-	38181 080 00
	1,000	840	-	-	-	38181 100 00
	1,200	1,040	-	-	-	38181 120 00
2 SPRENGER Opti hiking strap	920	520	-	-	-	38180 000 00
3 Safety bags with SPRENGER logo, made of white PVC, cylinder shaped	820	270	30	860	300	39202 001 00
	1,000	270	35	1,050	300	39202 002 00
	1,200	270	40	1,240	300	39202 003 00
	1,500	270	50	1,530	300	39202 004 00
	800	370	55	850	410	39202 006 00
	1,000	370	65	1,050	410	39202 007 00
	1,500	370	100	1,530	410	39202 008 00

INFO



Safety bags
recommended complete equipment:

- FINN = 555 l
- OPTIMIST = 135 l
- VAURIEN = 410 l
- PIRAT:
- wood = 250 l
- GRP = 400 l
- Sandwich = 300 l
- GRP / wood = 350 l

e.g. OPTIMIST:
each 1 x 39202 002 00 port/starbord
1 x 39202 007 00 stern

ANYTIME ON THE RIGHT COURSE.



Course Keeper

It is a known problem, that boats with outboard- and z-motor have bad steering characteristics at low speed. You reach too low driving power, to keep the boat at course – continuous course corrections are demanded.

With **Course Keeper** you have a double rudder available, which keeps the boat at course. The steering and „parking“ is nearly as easy as with a car, also during idle. With **Course Keeper** there is no need for course corrections. Steering ability and course stability at low speeds are ameliorated. At increase of speed the **Course Keeper** is lifted out of the water flow. Oversteering is avoided. The rudder blades and fittings are made

of corrosion-free aluminum. All connection-materials like thread rods, bolts and nuts are made of stainless steel. The simple and solid construction of the rudder makes the **Course Keeper** low-maintenance.

At reversing the **Course Keeper** protects the propeller. Safety for swimming people against injuries is considerably increased. The **Course Keeper** is available in four sizes. The installation is easy. Most parts are pre-mounted. The fittings are screwed and clamped on the cavitation plate. There is no need for drilling holes.

IMPROVED MODEL:

- New compact shape of the fittings
- Ameliorated break-proof material = extruded aluminum profile
- Rudder blades of long lasting, low-maintenance aluminum, considerably reduced weight

ARTICLE	Rumpflänge (m)	ARTICLE NO.
Course Keeper type 1	up to 4.5	37171 001 00
Course Keeper type 2	4.5 - 6.5	37171 002 00
Course Keeper type 3	6.5 - 8.5	37171 003 00
Course Keeper type 4	8.5 - 10	37171 004 00

Course Keeper type 2	8.5 - 10 for double engine	(2 x) 37171 002 00
Course Keeper type 3	10 - 12 for double engine	(2 x) 37171 003 00
Course Keeper type 4	12 and more for double engine	(2 x) 37171 004 00
Course Keeper for boats with Volvo Penta 280/290	up to approx. 6.5 up to approx. 8.5 over 8.5	37171 210 00 37171 310 00 37171 410 00

Volvo Penta 270: separate profile, please send us an individual inquiry.



Kapok pillows

- Cover made of cotton
- Filling consists of the natural product Kapok
- Breathable
- Flexible
- Buoyant

ARTICLE	Colour	Measurements B x L x H (cm)	(gr)	ARTICLE NO.
1 Kapok pillow, single	Navy / white striped	45 x 38 x 7	ca. 600	39010 700 00
2 Kapok pillow, single	Navy	45 x 38 x 7	ca. 600	39010 000 00
3 Kapok pillow, single	Royalblue	45 x 38 x 7	ca. 600	39010 100 00
4 Kapok pillow, single	Anthracite	45 x 38 x 7	ca. 600	39010 200 00
5 Kapok pillow, single	Beige	45 x 38 x 7	ca. 600	39010 300 00
6 Kapok pillow, single	Red	45 x 38 x 7	ca. 600	39010 400 00
7 Kapok pillow, double	Navy / white striped	45 x 75 x 7	ca. 1,200	39010 701 00
8 Kapok pillow, double	Navy	45 x 75 x 7	ca. 1,200	39010 001 00
9 Kapok pillow, double	Royalblue	45 x 75 x 7	ca. 1,200	39010 101 00
10 Kapok pillow, double	Anthracite	45 x 75 x 7	ca. 1,200	39010 201 00
11 Kapok pillow, double	Beige	45 x 75 x 7	ca. 1,200	39010 301 00
12 Kapok pillow, double	Red	45 x 75 x 7	ca. 1,200	39010 401 00



Row locks / floor rings / bow handles

ARTICLE		Safety working load (kg)	Breaking load (kg)	Ø inside (mm)	Ø A (mm)	Ø (mm)	B (mm)	C (mm)	D (mm)	H (mm)	L (mm)	L1 (mm)	WICHARD no.	ARTICLE NO.	
1	Rowlock plastic, black	-	-	61	-	-	-	-	-	-	-	-	-	39057 678 00	
		-	-	70	-	-	-	-	-	-	-	-	-	39057 679 00	
2	Rowlock socket plastic, black	-	-	17	-	-	-	-	-	-	-	-	-	39051 624 00	
3	Rowlock socket plastic, black	-	-	17	-	-	-	-	-	-	-	-	-	39051 625 00	
4	WICHARD universal padeye		720	1,600	-	-	6.4	23	14	-	-	40	-	6584	34147 006 55
5	WICHARD padeye stainless steel, tiltable		1,440	1,800	-	-	6.4	-	-	-	-	45	27	6604	34145 006 55
			2,400	3,000	-	-	8.5	-	-	-	-	59	35	6605	34145 008 55
			4,800	8,000	-	-	10.5	-	-	-	-	75	45	6606	34145 010 55
6	Floor ring with return clip stainless steel	-	-	-	-	-	38	-	-	-	44	-	-	-	34254 038 56
		-	-	-	-	-	55	-	-	-	65	-	-	-	34254 055 56
		-	-	-	-	-	76	-	-	-	57	-	-	-	34254 075 56
7	WICHARD foot stanchion slide patented, stainless steel		960	3,000	-	9-13	-	-	2-4	14	40	-	-	16613	34008 001 55
			1,200	3,800	-	12-15	-	-	4-6	18	45	-	-	16615	34008 002 55
			960	3,000	-	9-19	-	-	2-4	14	40	-	-	16614	34009 001 55



WICHARD knives

Series Offshore:

- Knives for practising outdoor aquatic sports such as fishing, motor boating, kayaking, as well as other outdoor activities
- top cutting quality, locking blade, one-handed opening, corrosion resistance, night visibility (depending on the model)
- serrated blade
- with shackle opener, marlinspike and adjustable wrist strap

Series Aquaterra:

- Knives for sailors, offering a range of essential functions on-board a boat
- Stainless steel blade offers excellent cutting quality and corrosion resistance

ARTIKEL		Farbe	WICHARD-Nr.	ARTIKEL-NR.
1 WICHARD knife Offshore		fluorescent / black	10112	34731 000 55
		blue / black	10116	34731 001 55
		orange / black	10119	34731 002 55
2 WICHARD knife Offshore with shackle opener and marlinspike		fluorescent / black	10122	34733 000 55
		blue / black	10126	34733 001 55
		orange / black	10129	34733 002 55
3 WICHARD knife Aquaterra		black / white	10133	34734 000 55
		red / white	10134	34734 001 55
		blue / white	10136	34734 002 55
4 WICHARD knife Aquaterra with corkscrew		black / white	10153	34735 000 55
		red / white	10154	34735 001 55
		blue / white	10156	34735 002 55



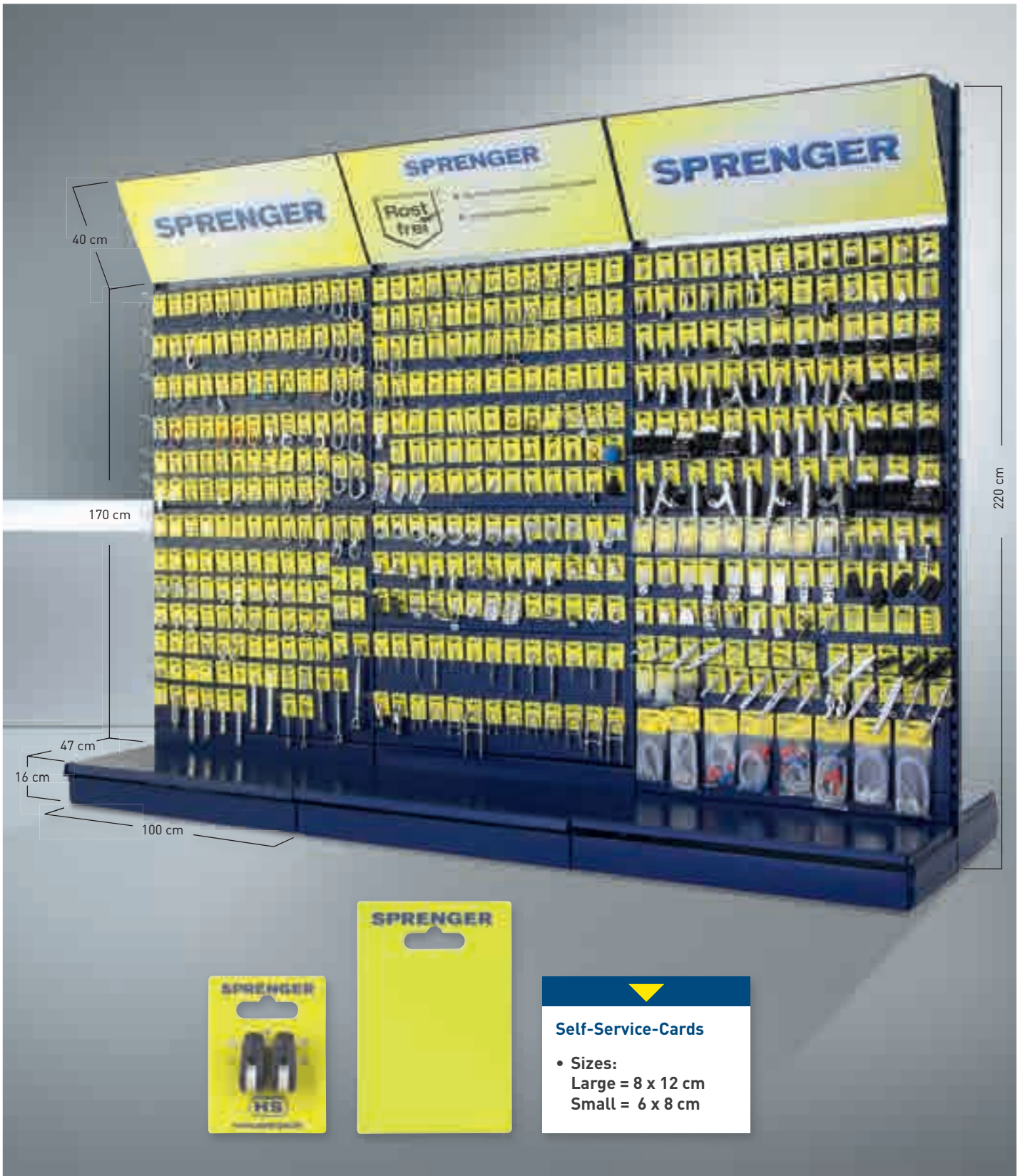
1

2

SPRENGER Display

For optimal presentation: Our sales tool assists you daily successful in selling and in an adequate presentation of our high quality products. For further versions, additions and accessories please contact us. We will be pleased to help.

ARTICLE	Measurements B x H x T (cm)	ARTICLE NO.
1 Display for cam cleats	38 x 64	36690 000 00
2 Display for tiller extensions	33 x 103 (display) 20.5 x 48 x 73.5	38859 000 00



Self-Service-Cards

- Sizes:
Large = 8 x 12 cm
Small = 6 x 8 cm

SPRENGER Tego System Wall

- Variable and appropriate possibility of the design
- Promotional for the sale and modern
- Expandable even at a later point
- Other versions, additions and accessories are also possible on request

Icons

Catalog	Labels	Description	Catalog	Labels	Description
		Safety working load			Hole distance
		Breaking load			Suitable thread size
		Ball Bearing			max. LOA
		Sliding Bearing			Sail area in m ²
		Needle Bearing			Real leather
		Bow detachable			Special delivery
		Swivelling 180°-360°			Self service card
		Ø max. diameter			Stainless steel
		Profile			tiltable
		Lengths / Telescopic lengths			swivelling

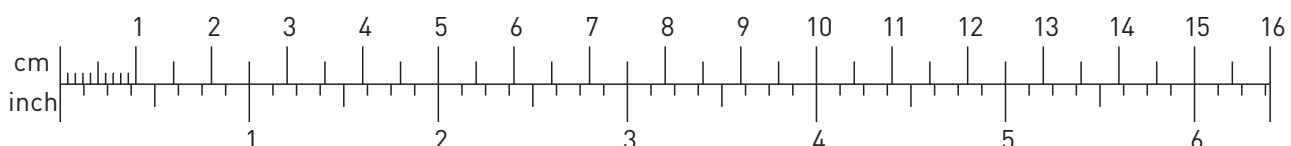
Comparative table centimeter and English linear measure (inch)

mm / cm	Inch
1 mm	3/64"
1,5 mm	1/16"
2 mm	5/64"
2,5 mm	3/32"
3 mm	1/8"
4 mm	5/32"
5 mm	3/16"
6 mm	1/4"
7 mm	9/32"
8 mm	5/16"
9 mm	3/8"
10 mm	13/32"
11 mm	7/16"
12 mm	15/32"
13 mm	1/2"
14 mm	9/16"
15 mm	19/32"
16 mm	5/8"
17 mm	11/16"
18 mm	23/32"
19 mm	3/4"
20 mm	25/32"
21 mm	13/16"
22 mm	7/8"
23 mm	29/32"
24 mm	15/16"
25 mm	1"
27 mm	1 1/16"
28 mm	1 1/8"
30 mm	1 3/16"
32 mm	1 1/4"
33 mm	1 5/16"
35 mm	1 3/8"
36 mm	1 3/8"
38 mm	1 1/2"
40 mm	1 9/16"
45 mm	1 3/4"
50 mm	2"
55 mm	2 3/16"
60 mm	2 3/8"
65 mm	2 1/2"
70 mm	2 3/4"
75 mm	3"
80 mm	3 1/8"
90 mm	3 1/2"
95 mm	3 3/4"
10 cm	4"
10,8 cm	4 1/4"
11,5 cm	4 1/2"
12 cm	4 3/4"
12,7 cm	5"
13 cm	5 1/8"
13,5 cm	5 1/4"
14 cm	5 1/2"
14,7 cm	5 3/4"
15,2 cm	6"
15,5 cm	6 1/8"
16 cm	6 3/8"

Material code

Numeral	Meaning
00	Various materials
02	Iron chrome plated
06	Galvanized iron
10	Hot galvanized iron
22	Laminated galvanized steel
30	Brass I. polished
32	Brass I. chrome plated
33	Brass II. polished
34	Brass II. nickel plated
35	Brass II. chrome plated
47	Die cast I. chrome plated
52	Aluminium hard anodised
53	Sea-water resistant aluminium, black anodised
54	Sea-water resistant aluminium, bright anodised
55	Stainless steel
56	Stainless steel
59	Sea-water resistant aluminium, plastic coated, black
60	Tuphnol
63	High-impact Hostaform C or plastic black
71	Rubber

Note: Measurement changes of all items under reservation. Breaking loads are approximate.





SPRENGER – OUR PRODUCTION:

»Quality – Made in Germany.
According to our motto, all SPRENGER
products are manufactured at our
manufactory in Iserlohn.«



A	Accessories	69, 83 ff.
	Accessories for Opti and Dinghies	131
	Anchor & accessories	119
	Anodes & hooks	118
B	Bailers (ANDERSEN)	130
	Ball bearing base	36-37
	Ball bearing blocks 8 mm	22-23
	Ball bearing blocks 10 mm	26-27
	Ball bearing blocks 12 mm	30-31
	Blocks for wire	60-61
	Boat hooks	109
	Boom brake	69
	Bow handles	134
	Bow Plate	107
C	Camlan cam cleats 3-6 mm	66
	Camlan cam cleats 8-13 mm	67
	Chain plates	106
	Cheek blocks	46
	Cheek blocks 6-12 mm	54
	Cheek blocks 12-14 mm	55
	Cleats	96-97
	Counter blocks for ratchet blocks 6-10 mm	35
	Course Keeper	132
D	Downhaul blocks	45
E	Eye bolts	94
F	Fender (MAJONI)	126-127
	Fender cleats & eye straps	104
	Flat material shackles	86
	Floor rings	134
	Foot blocks	50
G	Gloves	110
H	High load blocks 25 mm	62
	High load blocks 38 mm	63

	Hooks & rings	102
I	Industry blocks	53
J	Jib furling system	125
K	Kapok pillows	133
	Keel roller	128
	Key shackles	85
	Knives (WICHARD)	135
M	Mast cheek blocks	48
	Mast- & eyeplates	105
	Micro XS blocks 6 mm	38-39
	Micro XS blocks for wire	58-59
N	Needle bearing cam cleat 3-16 mm	68
P	Piston hanks	89
R	Racing shackles	93
	Ratchet blocks 6-10 mm	34
	Row locks	134
	Rubber rope & accessories	111
S	S-Blockseries 8 mm Sliding Bearing	8-13
	S-Blockseries 10 mm Sliding Bearing	14-17
	S-Blockseries 12 mm Sliding Bearing	18-21
	Self-tacking-jib-set	71
	Shackles	84
	Sheaves	47
	Shock absorber	114
	Shroud Adjusters	108
	Sliding bearing blocks 6 mm	40-41
	Sliding bearing blocks 8 mm	24-25, 42
	Sliding bearing blocks 10 mm	28, 43
	Sliding bearing blocks 12 mm	29, 44
	Sliding bearing blocks 14 mm	32-33
	Snap hooks	87, 88
	Snap shackles	92
	Special blocks	56

	Spray hood fittings	120-122
	SPRENGER Display	136
	SPRENGER Tego System Wall	137
	Springs	51
	Stainless steel strap hinges	100
	Stanchion- and trapeze blocks	57
	Strap hinges & fasteners	101
	Sun canopy for boats	124
	Swivel	90-91
T	Tackles, complete	64-65
	Terminals	99
	Tiller cable clamps & bolts	103
	Tiller extension fittings	82
	Tiller extensions - fix	80
	Tiller extensions - telescopic	81
	Tiller fittings	112-113
	Tracks & slides 20 x 3 mm	74-75
	Tracks & slides 25 x 4 mm	76-77
	Tracks & slides 32 x 6 mm	78
	Traveller Boat Runner L	73
	Traveller Boat Runner XS - S	72
	Traveller track	70
	Turnbuckles	98
U	U-bolts	95
	Upright blocks	52
W	Wind indicators	83



Guarantee

In case of defect of a product of our sales programme, SPRENGER gives the guarantee of a replacement free of charge. Excluded from guarantee claims are faulty use, application apart from boating (except SPRENGER has given the approval), wear and maturing as well as done repairs.

Working load and breaking load

For safety reasons, it is recommended to calculate with a quarter of the specified breaking loads.

Example:

breaking load indicated in catalogue 1000 kgs
 working load (breaking load : 4) = 250 kgs

Special hints to SPRENGER blocks

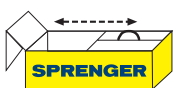
Damage of blocks can occur because of overload when taking too small dimensions, accidental gybes and of course when using a bow though a swivel would be necessary. In such a case the block is forced by the sheet into a turn movement which cannot be done because of the lack of swivel. It ends up in the sheet running into the side part instead of over the sheave. These heavy forces damage and disturb the block. It is thus advisable to use – if even possible – blocks with swivel.

SPRENGER blocks are in fact appropriated for the use in salt water areas. Rusty spots may occur near the rivets. Unfortunately, this cannot be avoided but does not affect the quality. It is layers of tiny residue particles of the processing tools. This „rust“ is superficial only and can easily be removed.

Maintenance and check of hardware

Please make sure to rinse sand, dirt and salt crystals – particularly after use in salt water – thoroughly with fresh water off the SPRENGER item. After cleaning, all movable parts of blocks, cam cleats as well as ball, sliding and needle bearings should be greased by means of a marine spray. It is advisable to check all products before use and to replace them in case of damage or wear. Regular cleaning of the stainless steel fittings protects from common occurring discolourations.

Legend: Special delivery



There will be higher delivery costs. Your responsible contact person will be glad to give you detailed information.



QUICK AND EASY TO YOUR DESIRED PRODUCTS:

- ▶ **More than 1,500 products** relating to boat sports
- ▶ **Retailer search** – by city or zip code
- ▶ Create your own **wish list** and send it **directly to the retailer of your choice**
- ▶ **Online catalogue** – browse comfortably through our digital catalogue and discover our range of products
- ▶ Furthermore you will find actual **information concerning exhibitions** as e.g. BOOT in Düsseldorf



www.sprenger.de



I. Scope of Application:

1. The following General Business Conditions will apply to all transactions with Herm. Sprenger GmbH (hereinafter known as "the supplier"), i.e. all contracts, deliveries and other services and shall be deemed to be incorporated into future business relationships even when reference has not especially been made to the same. The validity of the purchaser's General Terms of Business is discounted.
2. Any deviations from these General Terms of Business will only become an integral part of the contract if such deviations constitute the subject matter of an express agreement in writing entered into between the purchaser and the supplier.

II. Subject Matter of Contract/Prices:

1. Decisive for the contents and scope of deliveries and services is the written confirmation of order from the supplier. If no such confirmation has been issued then the quotation from the supplier is decisive. Should there be no quotation, then the supplier's current price list is decisive. Confirmation of order by data telecommunication, EDP-printout and electronically transferred order confirmations and quotations are to be considered as valid even without signature.
2. Our quotations will be valid for 8 days, whereafter they lose their validity.
3. Orders received via our agents and/or sales representatives together with subsidiary agreements, supplements, etc. require confirmation in the above mentioned form (written) to become effective.
4. All the technical data contained in our catalogues and other sales documentation, lists and drawings as well as details of weights and measures have been drawn up with all due diligence; obvious mistakes are subject to subsequent correction.
5. The price lists applicable at the time of entering into the contract constitute the basis for price calculations or alternatively the prices in the specific quotations. All prices are understood to be ex works and do not include the Value Added Tax applicable on the day of delivery or services performed and do not include any transport and packaging costs.
6. For orders of low value, we reserve the right to charge a processing fee.

III. Delivery Terms/Delayed Deliveries:

1. The observance of agreed periods for deliveries and performance of services or delivery dates is conditional on the timely receipt of all specifications and documents to be communicated by the purchaser as well as the compliance with the payment conditions agreed upon together with any other obligations through the purchaser. Should these prerequisites not be fulfilled punctually, then the delivery dates will be delayed commensurately.
2. Transactions for delivery by a fixed date (§ 376 German Commercial Code) require explicit written confirmation.
3. Should the non-compliance of delivery dates or service periods be caused by Force Majeure, e.g. mobilization, war, uprising, or any similar events, such as strike, lock-outs etc., then the dates or periods will be commensurately extended. The same is to apply for delayed deliveries of the supplier's own supplies.
4. Should the supplier's delivery dates or service dates or alternatively the delivery periods or service periods on behalf of the supplier not be observed, then the purchaser is obliged to set the supplier a reasonable subsequent date for delivery in writing. Should the supplier culpably not deliver or alternatively perform services within this set subsequent delivery period, then the purchaser is entitled to withdraw from the contract.
5. Inasmuch as the supplier is responsible for the non-observance of the accepted date, then the purchaser – provided he can substantiate that damages have thus arisen for him – can demand compensation for each complete week of delay of 0.5%, however, no more than a total of 5% of the price of the deliveries or services affected by the delay. This limitation of liability shall not be applicable if the supplier is to be blamed with handling with intent or with gross negligence or is compulsorily liable for damages arising from death or injury to body and health.
6. On demand by the supplier, the purchaser is obliged to explain within a commensurate period whether he withdraws from the contract because of the delays in delivery or performance and/or will make claim for compensation instead of the deliveries demanded and/or insists on receiving the deliveries/performances.

IV. Terms of Delivery:

1. The supplier is entitled to make partial deliveries on a reasonable scale. Variances in respect of the measurements, the weight, the technical configuration, the manufacture and the extent of the commodities to be supplied are permitted within a tolerance range of 15%.
2. The purchaser additionally consents to any deviating modifications which serve technical improvement of the commodity or alternatively that will not bring about any technical deterioration.

V. Passing of Risk/Delivery:

1. Dispatch is made on the order of the purchaser at his cost through a haulage contractor of our choice.
2. The risk of accidental destruction and/or loss passes to the purchaser with the despatch or upon handing over to the person carrying out the transportation, respectively. Moreover all risk passes to the purchaser once he is in default of acceptance following receipt of notice of readiness for shipment from the supplier.

VI. Terms of Payment:

1. The supplier's invoices are due for payment immediately and without any deduction. Payment is considered to have been made as soon as the sum has been made available to the supplier.
2. The supplier reserves the right to demand payment in advance should he so desire.
3. Should the purchaser fall into arrears, then the supplier can demand interest on arrears in the amount of 8% p.a. over the valid basic interest rate in accordance with § 247 German Civil Code. Any right to assert further claims for damages shall not be affected by this.
4. The supplier is not obliged to accept drafts (Bills of Exchange). These will only be accepted in individual cases on account of performance by reason of special agreements. The discount and collection charges for the draft are to be borne by the issuer upon maturity and are payable immediately in cash.
5. Regardless of any single instances of specially agreed payment conditions, demands to which the supplier is legally entitled become immediately due when circumstances arise in the person of the purchaser where any holding to the agreed payment conditions can no longer be deemed acceptable. This is the case if there are grounds to suspect a significant deterioration of the financial position of the purchaser, in particular upon suspension of payments, cheque and draft protests or default of payment, if it is apparent from this that the supplier's claim to the consideration is endangered as a result of the purchaser's lack of ability to pay. In such cases the supplier is furthermore entitled to demand contemporaneous payment with delivery or the surrender of additional securities. Above and beyond this the supplier is entitled to determine a reasonable term within which the purchaser, at the option of the supplier, is to simultaneously execute consideration or provide security in exchange for performance. The supplier may withdraw from the contract upon futile expiry of the said term.
6. Within the scope of the warranty for defects the purchaser may only withhold payment after making a justifiable notice of defects to an extent that is in due proportion to the incurred defect. Any lien on goods on the part of the purchaser is otherwise excluded. The purchaser only has the right to offset claims with uncontested or legally enforceable claims.

VII. Reservation of Title:

1. The commodities supplied (goods subject to reservation) remain the property of the supplier until all claims on the part of the supplier against the purchaser arising from the business relationship have been met. The purchaser is not permitted to pledge or transfer ownership by way of security for the duration of the reservation of title. In the event of any pledge, seizure or other disposition or intervention by third parties, the purchaser shall immediately notify the supplier of the same.
2. The purchaser is entitled to dispose of the goods subject to reservation in the normal course of business provided he receives the agreed remuneration or a prohibition of assignment is not agreed upon. The purchaser herewith preventatively assigns to the supplier the claim arising from the sale. However, he remains duly authorised to the collection of the preventatively assigned claim, as long as such authorisation is not revoked. The authorisation can then be revoked when the purchaser culpably does not or no longer fulfil his contractual obligations. If a direct debit authorisation is revoked, the supplier is permitted to give notice of the occurred assignment. The purchaser must then immediately make available all the documents necessary for the notification of assignment and the collection.
3. A sale in the ordinary course of business is not constituted if the goods subject to reservation are pledged or transferred by the purchaser by way of security to a third party, or made the object of factoring and/or sale-lease-back procedures, in violation of sub clause 2.
4. In the event of goods subject to reservation being processed or treated, this shall be effected for and on behalf of the supplier as the manufacturer within the sense of § 950 et seq. German Civil Code. In this case the supplier is lawfully entitled to [joint] ownership of the articles emerging from the processing or treatment of the goods subject to reservation in the proportion of the goods subject to reservation to the value of the new article at the time of the said processing or treatment. The supplier is likewise entitled to a proportional

co-ownership in the new article whenever goods belonging to third parties are processed together with the goods subject to reservation. If the purchaser sells the article newly manufactured by him to another party, he herewith preventatively assigns the claim due to him arising from that sale to the amount of the value of the goods subject to reservation.

5. The purchaser shall immediately notify the supplier if the goods subject to reservation are damaged or otherwise impaired. Any claims against third parties arising from the damage or impairment in favour of the purchaser are herewith preventatively assigned to the supplier.
6. Insofar as the value of all security interests to which the supplier is entitled exceeds the amount of all claims covered by security by more than 20% the supplier shall if requested by the purchaser, release a corresponding portion of the security interests.
7. Should the purchaser neglect any of his duties, in particular in the case of default of payment, the supplier is entitled to cancel the contract and to take back the goods subject to reservation. The purchaser is obliged to surrender the same. The taking back of the goods subject to reservation, or the enforcement of the reservation of title alone does not require the withdrawal on the part of the supplier and is not to be deemed as an implied declaration of cancellation of the contract unless the supplier explicitly declares that these acts are to be understood as a cancellation.

VIII. Warranty:

1. The recipient is obliged to examine the commodities delivered immediately regarding their completeness, outer discernable damages and following normal business procedures carry out feasible checks in addition to making written report of any possible damages without delay.
2. No warranty claims shall exist in the event of only immaterial deviation from the agreed condition and only insignificant impairment of the serviceability.
3. Furthermore no warranty claims shall exist in the case of fair wear and tear, or by damage arising subsequent to the passing of risk as a result of incorrect or negligent handling, excessive treatment, unsuitable operating materials or that occur as a result of particular external influences that are not presupposed according to the contract.
4. In the event of a substantiated notice of defects, i.e. upon the occurrence of quality defects which, or the cause of which, already existed at the time of the passing of risk, the supplier is entitled, at his option, to provide subsequent improvement (removal of defects) or delivery (replacement).
5. The warranty for expenses incurred by subsequent improvement is limited to the value of the defective commodities.
6. If the supplier supplies a faultless item for the purpose of subsequent performance, the purchaser shall surrender the defective article. This is correspondingly applicable to defective components if these are replaced by faultless components within the scope of subsequent improvement.
7. A warranty term of one year shall apply for claims for defects, insofar as the statutory provisions concerning the sale of consumer goods are not applicable (§§ 474 et seq. German Civil Code) in particular with regard to liability upon recourse (§§ 478 et seq. German Civil Code) in the absence of statutory requirements.
8. The legal consequences of any violation of the commercial duty to examine goods and the obligation to give notice of defects (according to § 377 German Commercial Code) shall not be affected.
9. Clause XI shall otherwise apply to any claims for damages. Claims are excluded that are more extensive or different from those in this sub-clause and clause XI raised on the part of the purchaser against the supplier and his vicarious agents due to a defect of quality.

IX. Returning Commodities:

1. Any consignments of faultless goods returned require the prior written agreement of the supplier. For the acceptance of faultless goods the supplier will charge a lump-sum amount for handling to the amount of 30% of the value of the goods. Furthermore, the purchaser will bear all transport costs as well as the costs of packing, repacking and any possible repairs.

X. Compensation/Liability:

1. Claims for compensation on the part of the purchaser are excluded, irrelevant of the legal grounds, in particular due to any breach of obligations arising from the contractual obligations and from tortious acts, unless there is compulsory liability in accordance with product liability laws, in cases of liability for intentional or grossly negligent conduct, due to fatal or physical injury or health hazard, or due to the infringement of essential contractual obligations.
2. Claims for compensation in respect of the violation of essential contractual obligations shall, however, be limited to predictable damages typical for the contract, unless a limitation is excluded for other reasons due to intentional or grossly negligent conduct, due to liability in accordance with product liability laws or due to fatal or physical injury or health hazard.
3. In the event of impossibility of performance for which the supplier is responsible, claim for compensation by the purchaser is limited to 10 % of the value of that portion of the delivery which cannot be delivered due to impossibility of performance, as long as the supplier cannot be charged with intent or gross negligence and there is no compulsory liability due to fatal or physical injury or health hazard. The right of the purchaser to withdraw from the contract remains untouched.
4. In the event that the purchaser's customer, or his customer, justifiably claims against him for subsequent performance, he shall give the supplier the opportunity to carry out such subsequent performance himself within a reasonable term before procuring other "compensatory" goods. The purchaser shall impose this obligation accordingly to his customer. In the event that the purchaser violates these obligations, the supplier reserves the right to reduce compensation to an amount he would have incurred by carrying out subsequent performance himself. This shall not affect § 444 German Civil Code.
5. Compensation for expenses associated with such subsequent performance on the part of the purchaser in respect of his customer are furthermore excluded if the purchaser, contrary to his duty to limit damages, has not made use of his right to refuse this kind of subsequent performance, or both kinds of subsequent performance, because of the disproportion of costs and/or has not limited compensation to a reasonable amount.
6. Claims on the part of the purchaser in respect of expenses necessary to effect subsequent performance, in particular transport, travelling, labour and material costs, are excluded if the expenses increase due to the fact that the object of supply has been subsequently transferred to a different place to the one given by the purchaser as recipient address, unless such a transfer corresponds with its designated use. This is applicable to recourse liability accordingly.
7. The statutes of limitation binding on these claims are applicable to any claims for damages and compensation in conjunction with the defectiveness of the goods or performance [cf. VIII. 7.]. Claims for compensation caused by liability in accordance with product liability laws, in cases of liability for intentional or grossly negligent conduct, due to fatal or physical injury or health hazard, or due to the infringement of essential contractual obligations are subject to the statutes of limitation.

XI. Data Protection:

1. Personal data concerning the purchaser obtained directly or indirectly within the scope of the business relationship or becoming known through third parties will be stored by the supplier in an automatic file and processed in the course of business (reference to BDSG [Federal Data Protection Act]).
2. The supplier will observe the relevant data protection regulations (in particular those of the BDSG) during his use of the personal data.
3. The purchaser consents to the processing by the supplier of personal data becoming known concerning him indirectly or through third parties.
4. The supplier may pass on to the supplier current information concerning the company and the products e.g. in the form of a newsletter concerning changes in the sales programme.

XII. Miscellaneous:

1. The supplier reserves all property rights, copyrights and exploitation rights to quotations, drawings and other records (herein referred to as "documents") without limitation. The documents shall only be made accessible to third parties with the prior consent of the supplier and are to be returned immediately on request if the contract is not awarded to the supplier. Sentences 1 and 2 above apply to the purchaser's documents accordingly, although these may be made accessible to such other persons to whom the supplier has legitimately assigned the deliveries.
2. The legal relations in conjunction with this contract are governed by German substantive law and exclude the United Nations Convention on Contracts for the International Sale of Goods (CISG).
3. The sole legal venue for all disputes arising directly or indirectly from the contractual relationship shall be the registered office of the supplier.
4. Should any provision in these Terms and Conditions or any provision in other agreements be or become ineffective, then this shall not affect the effectiveness of all the remaining provisions or agreements.

Bewuchsschutz: Bei uns sind Sie in guten Händen.

Für Sie als Bootseigner könnte es die wichtigste Aufgabe sein, Ihre Yacht vor Schäden und Folgekosten durch Bewuchs zu schützen. Sie brauchen einen Partner mit einem Namen, dem man global vertraut. Ein Name, der für Qualität und Wissen steht. Seit 1856 entwickeln wir weltweit führende Technologien für Antifoulingprodukte, die Ihre Yacht heute schützen.





Herm. Sprenger GmbH
Metallwarenfabrik
Manufacturer of boat fittings

Alexanderstraße 10-21 · 58644 Iserlohn · Germany
P.O. Box 24 53 · 58634 Iserlohn · Germany

Phone +49 (0) 23 71 95 59-0
Fax +49 (0) 23 71 95 59-989
boot@sprenger.de
www.sprenger.de